

MPSI CONNEX USB 2.0 Connectors, 604 Series:

Ordering Code 604-0003 (See > Options) – Type A Recept, Vertical, 13.7mm Body, TH, UL94V-0

| T +44 (0) 1256 817933 | F +44 (0) 8707 625402 | www.mpsiconnex.com | sales@mpsiconnex.com |



Images are for Illustrative Purposes Only

USB 2.0 Standard. Type A, Vertical Through-Hole PCB Mount Receptacle.

Current Rating 1.5A. High Current (3A) –HC Version Available.

White Thermoplastic Insulator as Standard (See > Options).

Gold (1 Micron) Plated Contacts, Tin Plated Solder Tails and Nickel Plated Shell.

Mates with USB 2.0 Type A Male Cables. Backward Compatible with USB 1.1. Copper Alloy or Steel Shell (See > Options). Supplied in Tray Packaging.

Typical Applications: PC's, Consumer Electronics, Sync & Charge applications etc.

> TECHNICAL SPECIFICATION

ELECTRICAL >

CURRENT RATING:	1.5A STD OR 3A
VOLTAGE RATING:	30V DC
CONTACT RESISTANCE:	30 mΩ MAX
DIELECTRIC WITHSTANDING VOLTAGE:	500V AC
INSULATION RESISTANCE:	1000MΩ
OPERATING TEMPERATURE:	-25°C to +70°C

MATERIAL >

CONTACT:	STD COPPER ALLOY / -HC PHOSPHOR COPPER
SHELL:	COPPER ALLOY OR STEEL (See > Options)
INSULATOR:	STD = PBT WHITE/BLACK UL94V-0 / -HC = LCP
RoHS COMPLIANT:	YES

PLATING >

CONTACT:	1 MICRON (u") GOLD OVER NICKEL
SHELL:	NICKEL
SOLDER TAILS:	TIN

MECHANICAL >

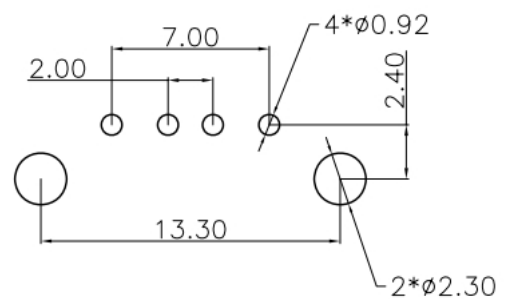
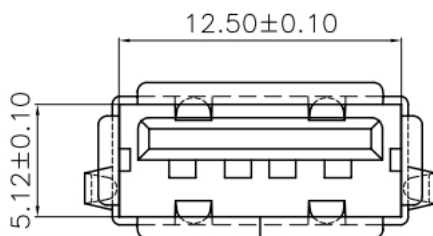
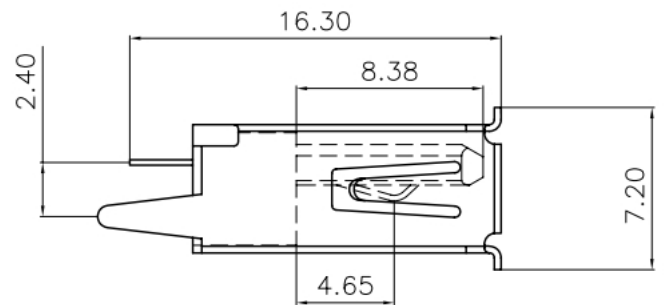
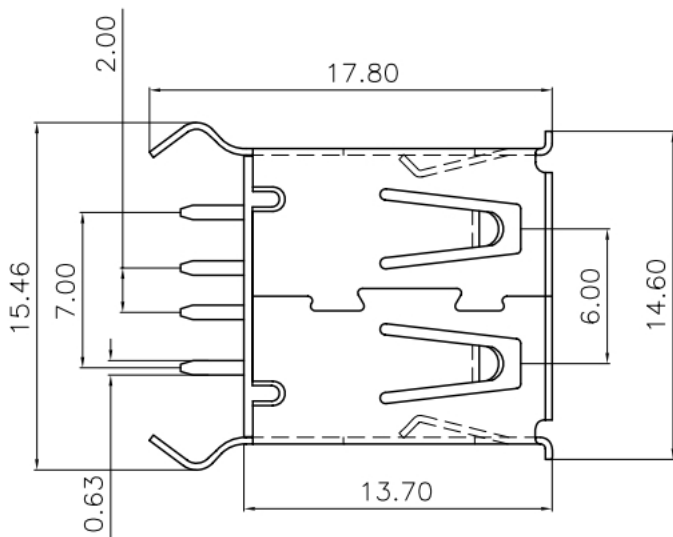
MATING FORCE (MAX):	2.5kgf
UNMATING FORCE (MAX):	0.8-2.0kgf
DURABILITY:	1500 MATING CYCLES

> OPTIONS

SHELL MATERIAL:	-C SUFFIX DESIGNATES COPPER ALLOY -S SUFFIX DESIGNATES STEEL
INSULATOR COLOUR:	-W SUFFIX DESIGNATES WHITE -B SUFFIX DESIGNATES BLACK
CURRENT RATING:	-HC SUFFIX DESIGNATES HIGHER CURRENT (3A)

PART NUMBER EXAMPLE: 604-0003-C-W = COPPER ALLOY SHELL WITH WHITE INSULATOR
PLEASE VERIFY AVAILABILITY ON OPTIONS PRIOR TO SELECTION / ORDERING

> PHYSICAL



PCB.LAYOUT