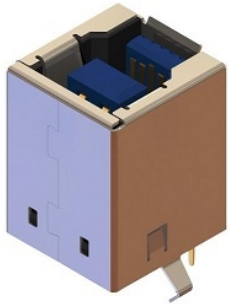


## MPSI CONNEX USB 3.0 Superspeed Connectors, 605 Series:

Order Code 605-0011 – Type B Recept, Vertical, TH Mount, 1.8A, UL94V-0 Blue Insulator

| T +44 (0) 1256 817933 | F +44 (0) 8707 625402 | [www.mpsiconnex.com](http://www.mpsiconnex.com) | [sales@mpsiconnex.com](mailto:sales@mpsiconnex.com) |



Images are for Illustrative Purposes Only

USB 3.0 Standard. 5.0 Gbps, Type B, Vertical Through-Hole PCB Mount Connector. Current Rating 1.8A. Blue Thermoplastic Insulator and Copper Alloy Shell.

Gold (1 Micron) Plated Contacts, Tin Plated Solder Tails and Nickel Plated Shell.

Mates with USB 3.0 Type B Male Cables. Backward Compatible with USB 2.0 and 1.1. Supplied in Tray Packaging.

Typical Applications: PC's, Consumer Electronics, Sync & Charge applications etc.

### > TECHNICAL SPECIFICATION

#### ELECTRICAL >

|                                  |                                   |
|----------------------------------|-----------------------------------|
| CURRENT RATING:                  | 1.8A POWER PINS 1 & 4             |
| CURRENT RATING:                  | 0.25A SIGNAL PINS 2, 3, 5,6,7,8,9 |
| VOLTAGE RATING:                  | 30V DC                            |
| CONTACT RESISTANCE:              | 30 mΩ MAX                         |
| DIELECTRIC WITHSTANDING VOLTAGE: | 100V AC                           |
| INSULATION RESISTANCE:           | 100MΩ                             |
| OPERATING TEMPERATURE:           | -55°C to +85°C                    |

#### MATERIAL >

|                 |                            |
|-----------------|----------------------------|
| CONTACT:        | COPPER ALLOY               |
| SHELL:          | COPPER ALLOY               |
| INSULATOR:      | BLUE THERMOPLASTIC UL94V-0 |
| RoHS COMPLIANT: | YES                        |

#### PLATING >

|               |                    |
|---------------|--------------------|
| CONTACT:      | 1 MICRON (u") GOLD |
| SHELL:        | NICKEL             |
| SOLDER TAILS: | TIN                |

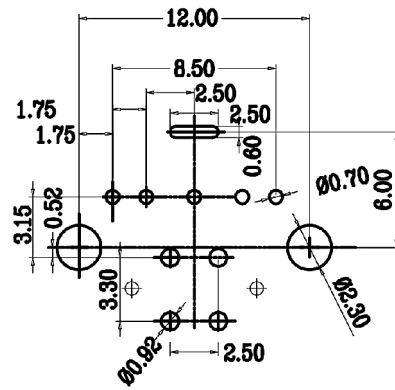
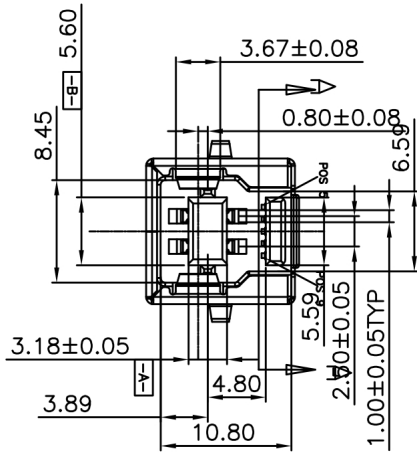
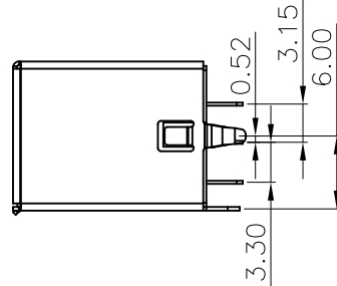
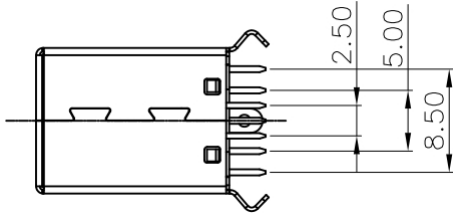
#### MECHANICAL >

|                       |                    |
|-----------------------|--------------------|
| MATING FORCE (MAX):   | 35.0 NEWTON        |
| UNMATING FORCE (MIN): | 10.0 NEWTON        |
| DURABILITY:           | 1500 MATING CYCLES |

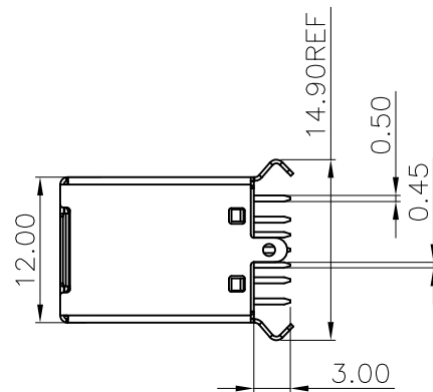
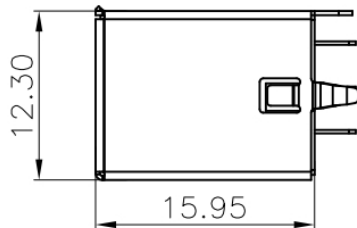
**Distributor of Electronic Components, Connectors, Cables and Power Cords**

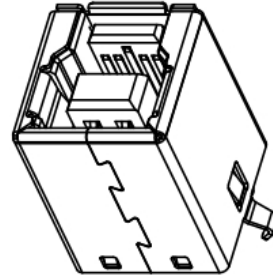
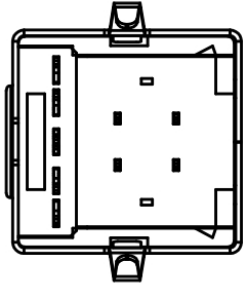
Disclaimer: MPSI understands information to be correct at time of issue & represented in good faith based upon information provided by the manufacturer. E & OE. Subject to change without notice.

> PHYSICAL



PCB LAYOUT (TOP VIEW)





| Pin # | Signal Name | Description              |
|-------|-------------|--------------------------|
| 1     | VBUS        | Power                    |
| 2     | D-          | USB Differential Pair    |
| 3     | D+          | USB Differential Pair    |
| 4     | GND         | Ground for Power Return  |
| 5     | StdA_SSRX-  | SuperSpeed Receiver      |
| 6     | StdA_SSRX-  | Differential Pair        |
| 7     | GND_DRAIN   | Ground for Signal Return |
| 8     | StdA_SSTX-  | SuperSpeed Transmitter   |
| 9     | StdA_SSTX+  | Differential Pair        |