

MPSI CONNEX TERMINAL BLOCKS, SPRING TERM, PCB MOUNT, 106 Series:

Order Code 106-0001 (See > Options) – 5A, PCB TH Mount, 3.5mm Pitch, UL94V-0

| T +44 (0) 1256 817933 | F +44 (0) 8707 625402 | www.mpsiconnex.com | sales@mpsiconnex.com |



PCB Through-Hole, 1 Level Terminal Block, 3.5mm pitch, with easy actuation 45° push-in spring termination (screwless) in compact form factor.

5A Current Rating. Compatible for Wire Gauge 16 – 22 AWG

High Mechanical stability due to offset zigzag solder legs.

Available in a number of ways and colour options (See Options).

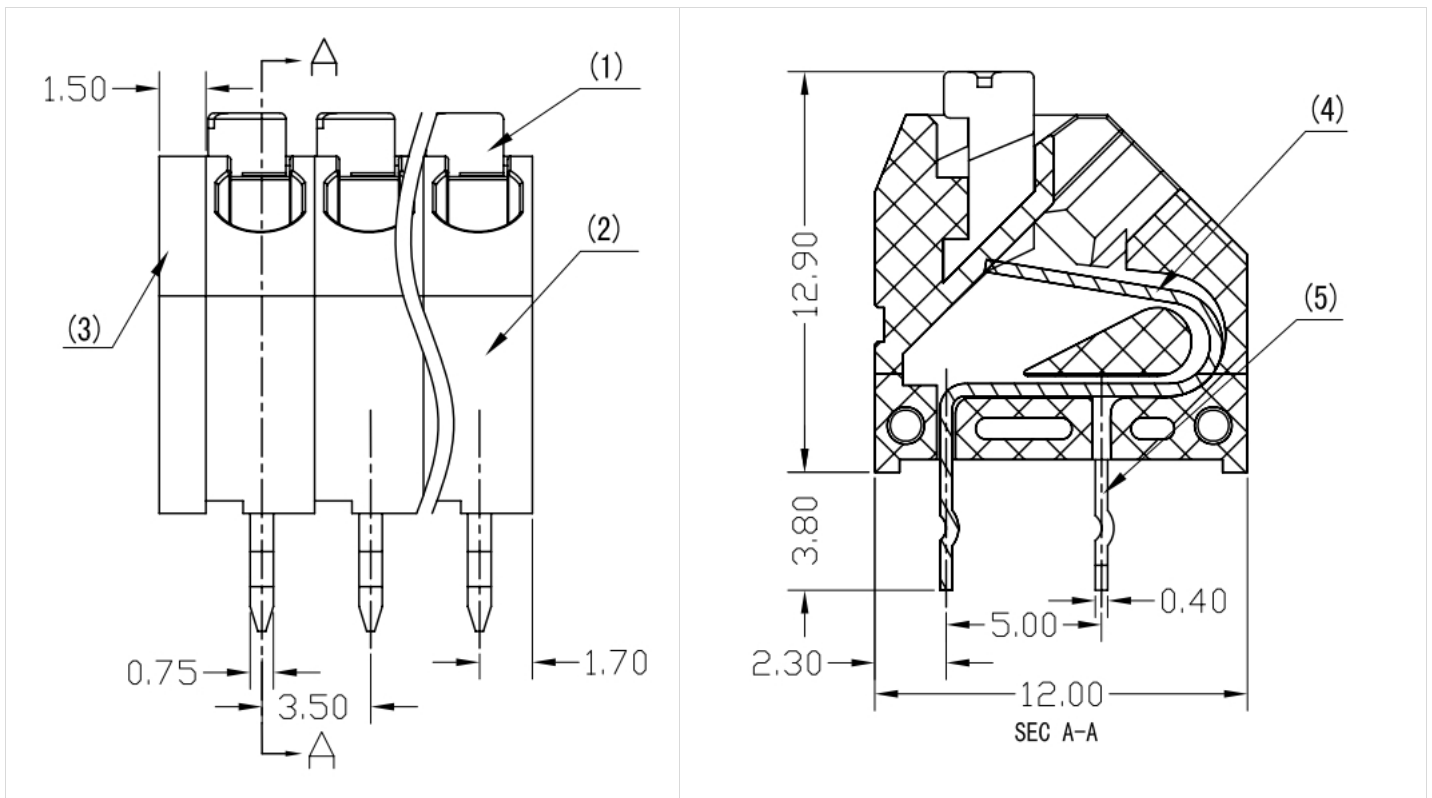
> TECHNICAL SPECIFICATION

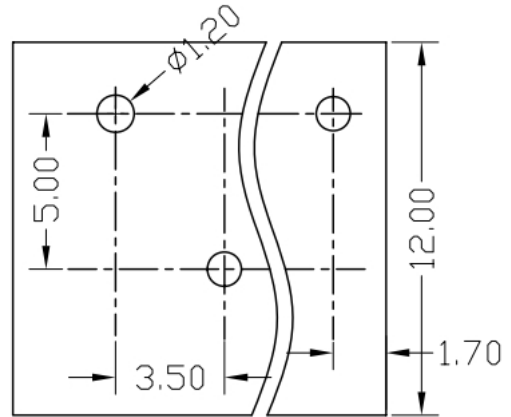
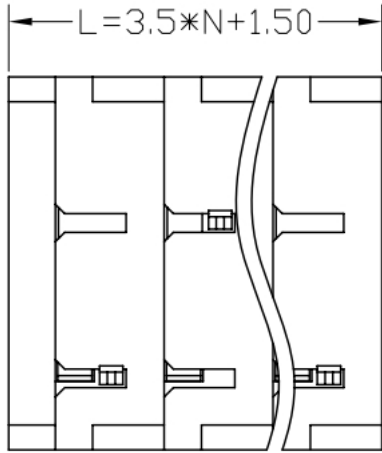
NUMBER OF LEVELS:	1
PITCH:	3.5 MM
MOUNTING TYPE:	PCB THROUGH-HOLE
WIRE TERMINATION:	SCREWLESS SPRING TERMINATION
WIRE ENTRY TO PCB:	ANGLED 45°
WIRE GAUGE:	16-22 AWG
INSULATION (PLASTICS):	PA66 (UL94V-0)
TERMINAL BODY:	PHOSPHORUS BRASS
TERMINAL PLATING:	TIN
CURRENT RATING:	5A
VOLTAGE RATING:	300 VAC
RATED SURGE VOLTAGE:	4kV
INSULATION RESISTANCE:	500MΩ
CONTACT RESISTANCE:	<8mΩ
OPERATING TEMPERATURE:	-40°C to +105°C
SOLDERING TEMPERATURE:	WAVE SOLDER 250°C 10s, HAND SOLDER 350°C 10s
APPLICABLE STANDARDS:	IEC998-2-1, IEC947-7-1, UL1059, UL486E
CONTAMINATION CLASS:	III
RoHS COMPLIANT:	YES

> OPTIONS

NUMBER OF WAYS:	-XX SUFFIX DESIGNATES NUMBER OF WAYS ANY NUMBER OF WAYS AVAILABLE
COLOUR:	-GN SUFFIX DESIGNATES GREEN (UL94V-0) -GY SUFFIX DESIGNATES GREY (UL94V-0) -BK SUFFIX DESIGNATES BLACK (UL94V-0) -BL SUFFIX DESIGNATES BLUE (UL94V-0) -YW SUFFIX DESIGNATES GREEN (UL94V-0)
PART NUMBER EXAMPLE: 106-0001-10-GN = 10-WAY GREEN PLEASE VERIFY AVAILABILITY ON OPTIONS PRIOR TO SELECTION / ORDERING	

> PHYSICAL





PCB孔位尺寸
(PCB Hole Dimension)