

## MPSI CONNEX USB 3.0 Superspeed Connectors, 605 Series:

Order Code 605-0001 – Type A Recept, Vertical Mount, TH, 1.8A, UL94V-0 Blue Insulator

| T +44 (0) 1256 817933 | F +44 (0) 8707 625402 | [www.mpsiconnex.com](http://www.mpsiconnex.com) | [sales@mpsiconnex.com](mailto:sales@mpsiconnex.com) |



Images are for illustrative purposes only

USB 3.0 Standard. 5.0 Gbps, Type A, Vertical Through-Hole PCB Mount Connector. Current Rating 1.8A. Blue Thermoplastic Insulator and Copper Alloy Shell.

Gold (1 Micron) Plated Contacts, Tin Plated Solder Tails and Nickel Plated Shell.

Mates with USB 3.0 Type A Male Cables. Backward Compatible with USB 2.0 and 1.1. Supplied in Tray Packaging.

Typical Applications: PC's, Consumer Electronics, Sync & Charge applications etc.

### > TECHNICAL SPECIFICATION

#### ELECTRICAL >

CURRENT RATING:	1.8A POWER PINS 1 & 4
CURRENT RATING:	0.25A SIGNAL PINS 2, 3, 5,6,7,8,9
VOLTAGE RATING:	30V DC
CONTACT RESISTANCE:	30 mΩ MAX
DIELECTRIC WITHSTANDING VOLTAGE:	100V AC
INSULATION RESISTANCE:	100MΩ
OPERATING TEMPERATURE:	-25°C to +75°C

#### MATERIAL >

CONTACT:	COPPER ALLOY
SHELL:	COPPER ALLOY
INSULATOR:	BLUE THERMOPLASTIC UL94V-0
RoHS COMPLIANT:	YES

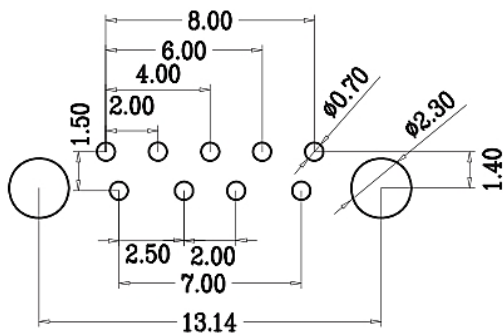
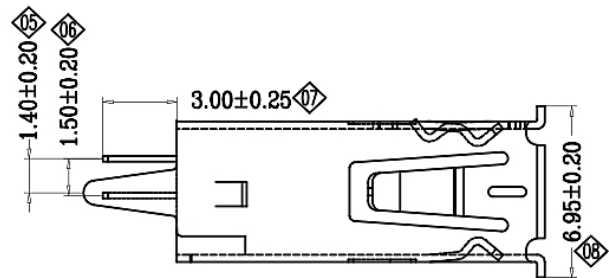
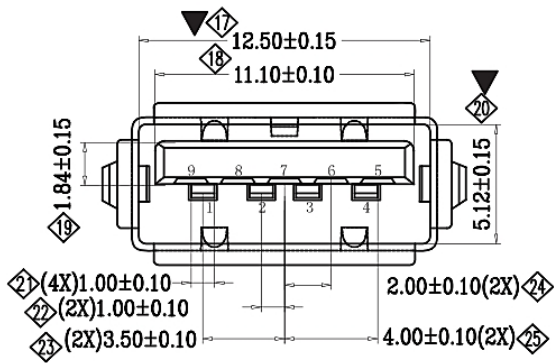
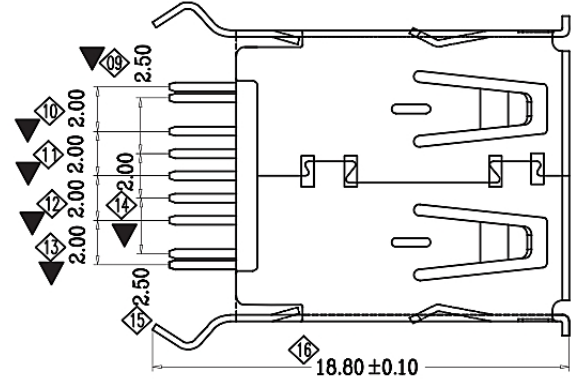
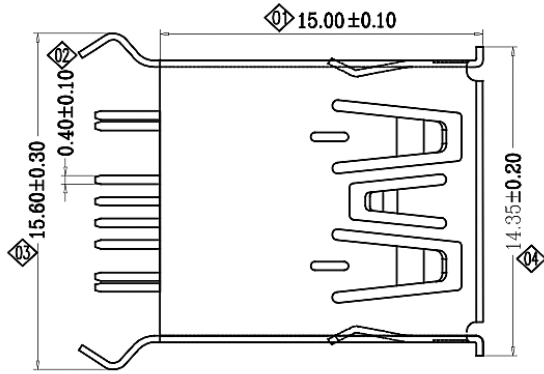
#### PLATING >

CONTACT:	1 MICRON (u") GOLD
SHELL:	NICKEL
SOLDER TAILS:	TIN

#### MECHANICAL >

MATING FORCE (MAX):	35.0 NEWTON
UNMATING FORCE (MIN):	10.0 NEWTON
DURABILITY:	1500 MATING CYCLES

## > PHYSICAL



**RECOMMENDED PCB LAYOUT**  
TOLERANCE:  $\pm 0.1$  mm

Pin #	Signal Name	Description
1	VBUS	Power
2	D-	USB Differential Pair
3	D+	USB Differential Pair
4	GND	Ground for Power Return
5	StdA_SSRX-	SuperSpeed Receiver
6	StdA_SSRX-	Differential Pair
7	GND_DRAIN	Ground for Signal Return
8	StdA_SSTX-	SuperSpeed Transmitter
9	StdA_SSTX+	Differential Pair