

MPSI CONNEX Secure Digital (SD) Card Connectors, 301 Series:

Ordering Code 301-0005 – SD, 9-Way, Push-Push, Metal Shield, PCB R/A SMT, UL94V-0

| T +44 (0) 1256 817933 | F +44 (0) 8707 625402 | www.mpsiconnex.com | sales@mpsiconnex.com |



Images are for illustrative purposes only

SD Standard, PCB SMT, Right Angled Receptacle, Current Rating 0.5A

Metal Shield, Black Thermoplastic Insulator, Gold (1 Micron) Plated Copper Alloy Contacts, Tin Plated Solder Tails and Nickel Plated Shell.

Normal Polarisation. Compatibility with Standard SD Card Formats.

Tray Packaging as Standard.

> TECHNICAL SPECIFICATION

ELECTRICAL >

CURRENT RATING:	0.5A
VOLTAGE RATING:	100V DC
CONTACT RESISTANCE:	40 mΩ MAX
DIELECTRIC WITHSTANDING VOLTAGE:	500V AC
INSULATION RESISTANCE:	1000MΩ
OPERATING TEMPERATURE:	-25°C to +90°C

MATERIAL >

CONTACT:	COPPER ALLOY
SHELL:	STAINLESS STEEL
INSULATOR:	HI-TEMP THERMOPLASTIC, BLACK UL94V-0
RoHS COMPLIANT:	YES

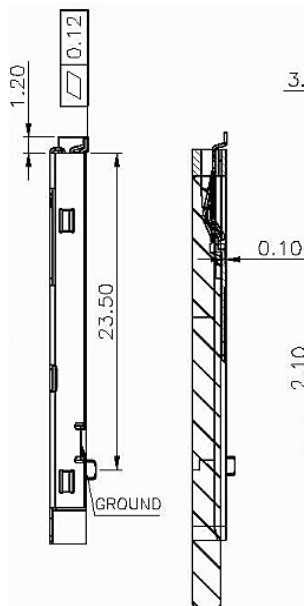
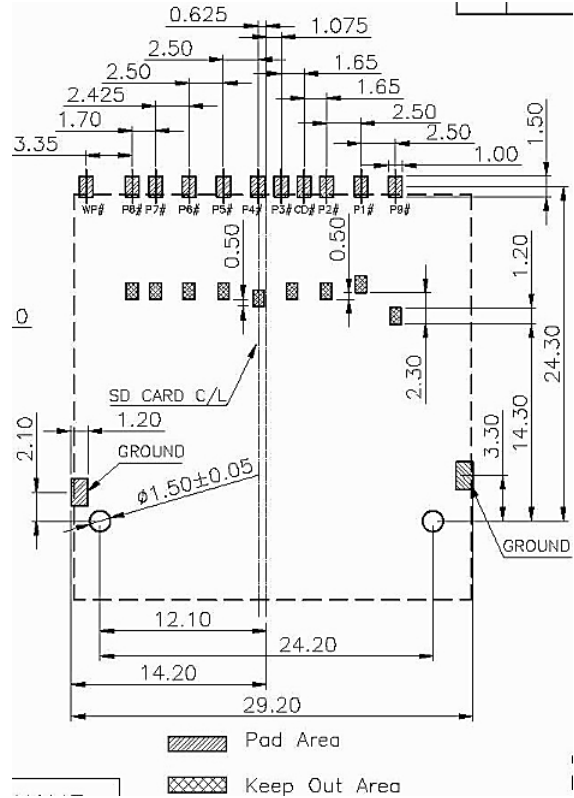
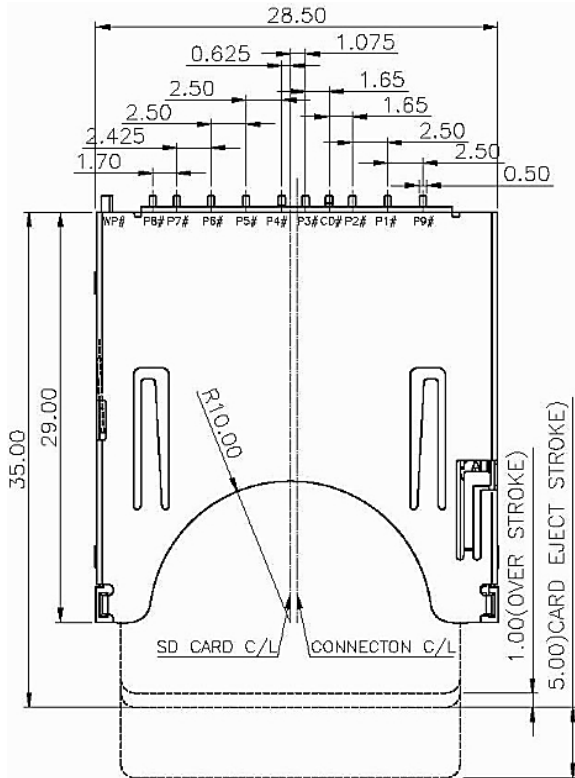
PLATING >

CONTACT:	1 MICRON (u") GOLD
SHELL:	NICKEL
SOLDER TAILS:	TIN

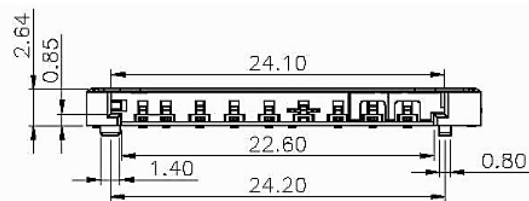
MECHANICAL >

CARD PUSH INSERTION/OUT FORCE:	0.7-1.2kgf
CONTACT SEPARATION FORCE:	0.20kgf MIN
DURABILITY:	10,000 MATING CYCLES

> PHYSICAL



Pin No.	NAME
1	CD/DAT3
2	CMD
3	Vss1
4	VDD
5	CLK
6	Vss2
7	DAT0
8	DAT1
9	DAT2



CIRCUIT:

