

## MPSI CONNEX USB 3.1 Type C Connectors, 607 Series:

Order Code 607-0009 – Type C Recept, Top-Mount, Dual SMT, R/A, 24 Pin, 5A, UL94V-0 Black Insert

| T +44 (0) 1256 817933 | www.mpsiconnex.com | sales@mpsiconnex.com |



Images are for Illustrative Purposes Only

USB Type C comes in a Reversible Small Form Factor capable of delivering 10 Gbps Data Rate, 100 Watts of Bi-Directional Power & Improved EMI/RFI Shielding.

5A Rated. Alternative Footprint. Software Compatibility with USB 2.0 and 3.0.

Mates with Male Type C Cables. Requires Adaptors to mate with USB 2.0 and 3.0 Cables. Supplied in Tape & Reel Packaging.

Typical Applications: PC's, HD Consumer Electronics, Portable Hand-held Devices, Sync and Charge applications etc.

### > TECHNICAL SPECIFICATION

#### ELECTRICAL >

CURRENT RATING:	5A VBUS, 0.25A OTHER
VOLTAGE RATING:	5V DC
POWER RATING:	100W
CONTACT RESISTANCE:	40 mΩ MAX
DIELECTRIC WITHSTANDING VOLTAGE:	100V AC
INSULATION RESISTANCE:	100MΩ
OPERATING TEMPERATURE:	-30°C to +85°C

#### MATERIAL >

CONTACT:	COPPER ALLOY
SHELL:	STAINLESS STEEL
INSULATOR:	BLACK LCP UL94V-0
SHIELDING PLATE:	STAINLESS STEEL
RoHS COMPLIANT:	YES

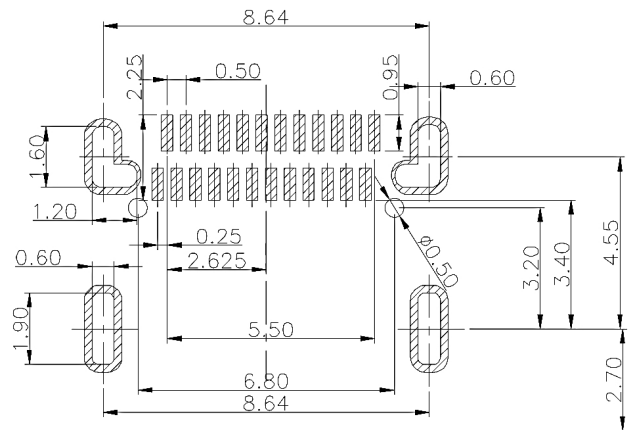
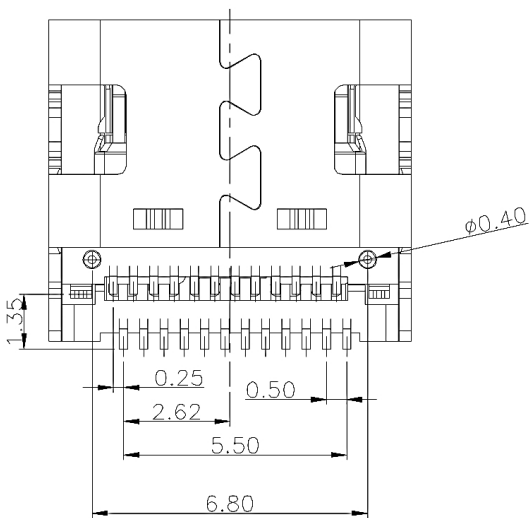
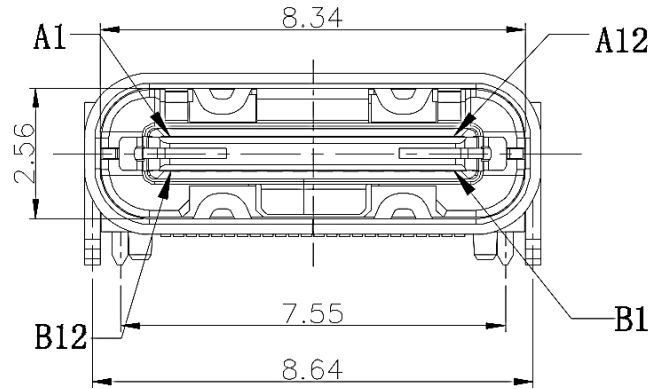
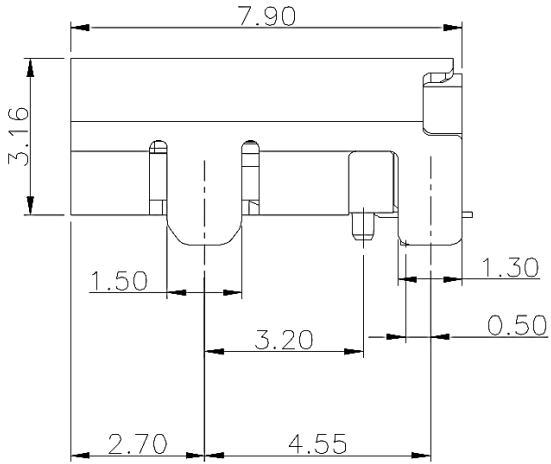
#### PLATING >

CONTACT:	STD 1 MICRON (u") GOLD OVER NICKEL (See > Options)
SHELL:	NICKEL
MID-PLATE:	NICKEL
EMI PAD:	NICKEL

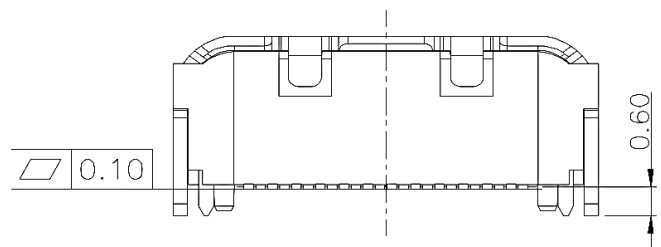
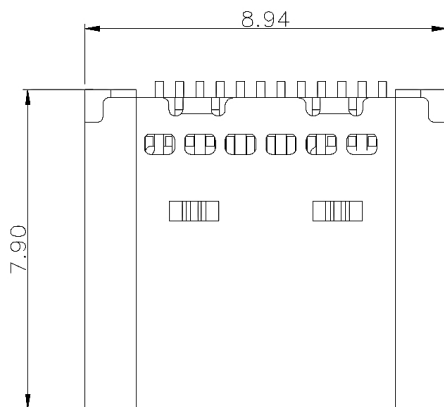
#### MECHANICAL >

MATING FORCE (MAX):	5-20N
UNMATING FORCE (MIN):	8-20N
DURABILITY:	10000 MATING CYCLES

## > PHYSICAL



RECOMMENDED P.C.B. LAYOUT  
TOLERANCE UNSPECIFIED  $\pm 0.05\text{mm}$



## > OPTIONS

CONTACT PLATING: PART NUMBER 607-0009-30 = 30 MICRON GOLD PLATING ON CONTACTS

PLEASE VERIFY AVAILABILITY ON OPTIONS PRIOR TO SELECTION / ORDERING

### USB Type C Receptacle Pins (Front View)

A1	A2	A3	A4	A5	A6	A7	A8	A9	A10	A11	A12
GND	TX1+	TX1-	VBUS	CC1	D+	D-	SBU1	VBUS	RX2-	RX2+	GND
GND	RX1+	RX1-	VBUS	SBU2	D-	D+	CC2	VBUS	TX2-	TX2+	GND
B12	B11	B10	B9	B8	B7	B6	B5	B4	B3	B2	B1