

MPSI CONNEX FILTERED POWER ENTRY MODULE, 704 Series:

Order Code 704-0002 (See > Options) – 1A-10A, Fused, Switched, Panel Mount, Faston Terms

| T +44 (0) 1256 817933 | www.mpsiconnex.com | sales@mpsiconnex.com |



Filtered Mains Power Entry Module, IEC Connector, 2-Pole Rocker Switch & Double Fuseholder (Fuses Ø 5 x 20mm)

Provides effective EMI suppression of both line to line and line to ground noise.

Available in Current Rating Options: 1A, 2A, 4A, 6A and 10A (See Options)

Panel Mount Mechanical Assembly with 6.3mm(0.8T) Faston Terminals.

Typical Applications: Electronic Products, Test and Measurement Equipment, Medical Equipment etc.

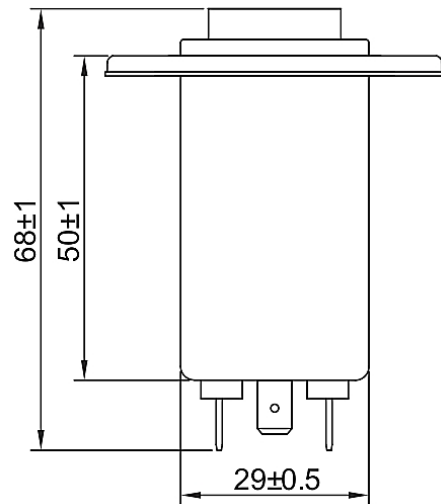
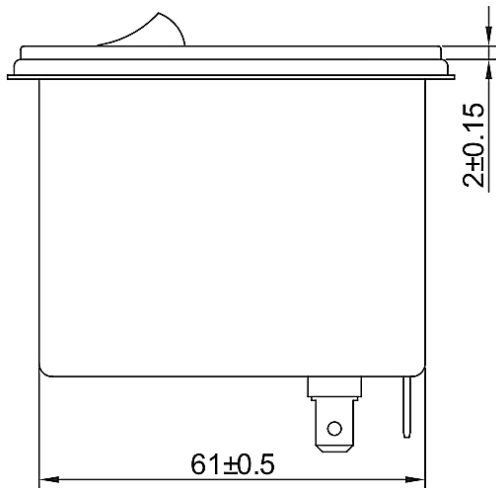
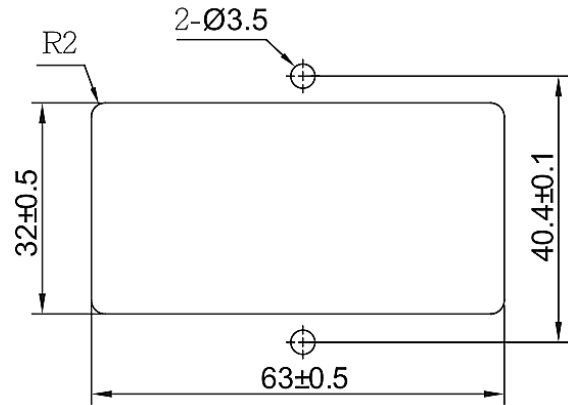
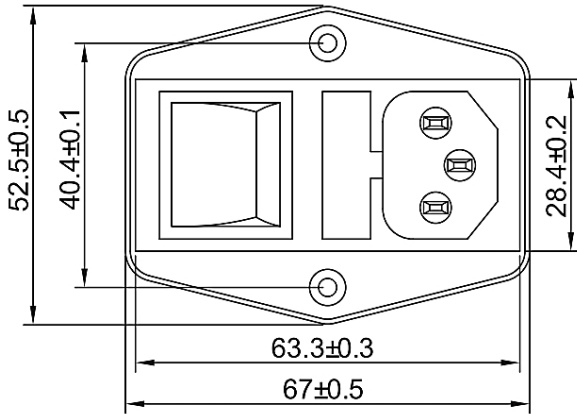
> TECHNICAL SPECIFICATION

VOLTAGE RATING:	125/250 VAC
CURRENT RATING:	1A, 2A, 4A, 6A, 10A (See Options)
OPERATING FREQUENCY:	50/60 Hz
HIPOT RATING (LINE TO LINE):	1450 VDC
HIPOT RATING (LINE TO GROUND):	2250 VDC
OPERATING TEMPERATURE:	-25°C to +85°C
SAFETY COMPLIANCE:	CE, VDE (1 to 6A)
RoHS COMPLIANT:	YES

> OPTIONS

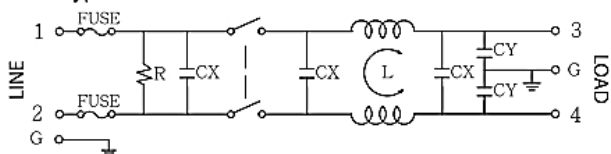
Part No.	Rated Current (A)	Inductance L(mH)	Capacitance CX(uF)	Capacitance CY(pF)	Resistance R(ohm)	Output Conn
704-0002-1	1	10.5	0.22	2200	1M	6.3mm(0.8T) Fast-on terminal
704-0002-2	2	4.6	0.22	2200	1M	
704-0002-4	4	2.5	0.22	2200	1M	
704-0002-6	6	0.8	0.22	2200	1M	
704-0002-10	10	0.3	0.1	3300	-	

> PHYSICAL

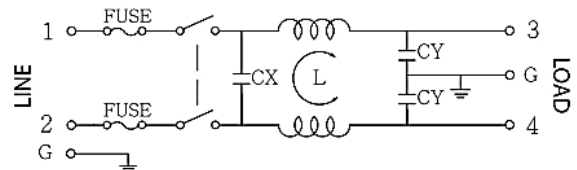


> SCHEMATIC

1~6A type

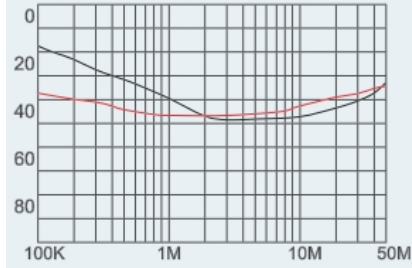


10A type

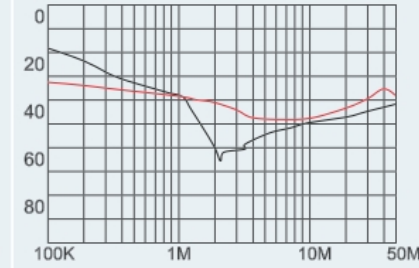


> FILTER ATTENUATION

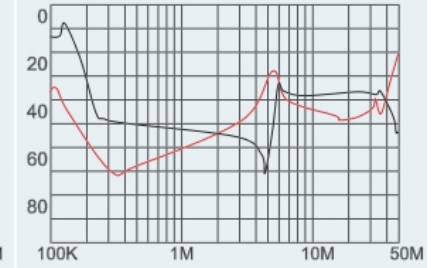
1A



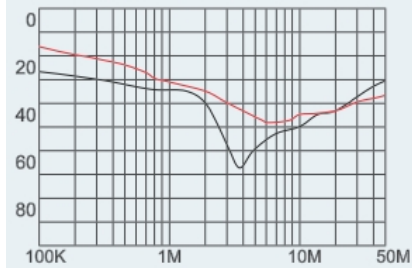
2A



4A



6A



10A

