

MPSI CONNEX FILTERED POWER ENTRY MODULE, 704 Series:

Order Code 704-0008 (See > Options) – 1A-10A, Fused, Panel Mount, Faston Terms, IP65 Rated

| T +44 (0) 1256 817933 | www.mpsiconnex.com | sales@mpsiconnex.com |



Compact Filtered Mains Power Entry Module, IEC Connector, Fuseholder with Single/Double Fuse Options and 6.3mm(0.8T) Faston Terminals as standard.

Inlet Connector IP65 Rated to IEC60529. EMI/RFI Filter Rated to IP54.
Panel Mount Mechanical Assembly with Screws – Left & Right Ears.

Provides effective EMI suppression of both line to line and line to ground noise.

Options include 1A, 2A, 4A, 6A & 10A Current Rating, Single or Double Fused (DF suffix), Optional Resistor (R suffix). See Options.

Typical Applications: Electronic Products, Test and Measurement Equipment, Medical Equipment etc.

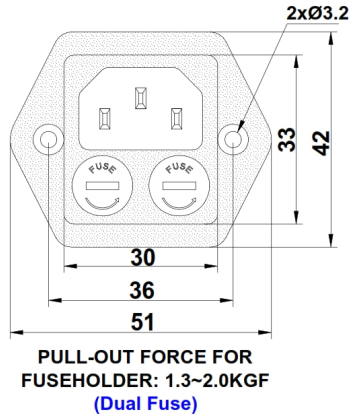
> TECHNICAL SPECIFICATION

VOLTAGE RATING:	115/250 VAC
CURRENT RATING @ 50°C:	1A, 2A, 4A, 6A, 10A (See Options)
OPERATING FREQUENCY:	50/60 Hz
HIPOT RATING (LINE TO LINE):	1450 VDC
HIPOT RATING (LINE TO GROUND):	2250 VDC
OPERATING TEMPERATURE:	-25°C to +85°C
SAFETY COMPLIANCE:	UL, VDE, CQC, CE
RoHS COMPLIANT:	YES

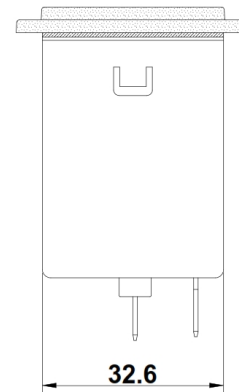
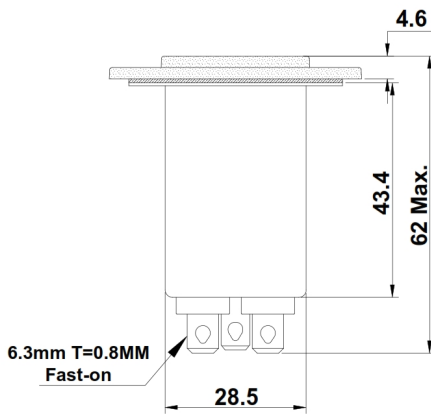
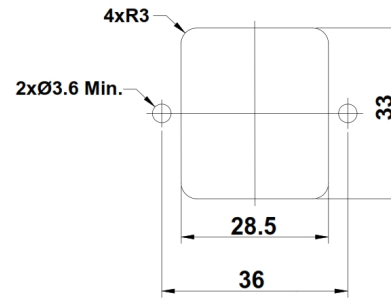
> OPTIONS

Part No.	Rated Current (A)	Inductance L(mH)	Capacitance CX(μF)	Capacitance CY(nF)	Output Conn
704-0008-1	1	10	0.22	0.47	6.3mm(0.8T) faston terminal
704-0008-2	2	6.5	0.22	0.47	
704-0008-4	4	4.2	0.22	0.47	
704-0008-6	6	1.6	0.22	0.47	
704-0008-10	10	0.8	0.22	0.47	
704-0008-1DF	1	3.7	0.1	3.3	
704-0008-2DF	2	2.7	0.1	3.3	
704-0008-4DF	4	1.3	0.1	3.3	
704-0008-6DF	6	0.8	0.1	3.3	
704-0008-10DF	10	0.3	0.1	3.3	

> PHYSICAL (STANDARD TYPE)

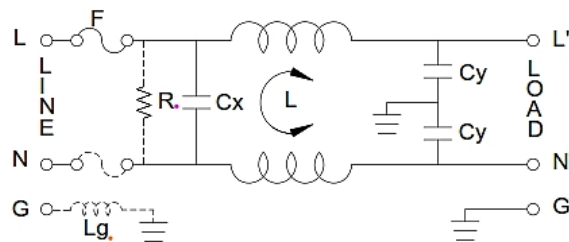


SUGGESTED PANEL CUTOUT (MOUNTING FROM FRONT)



> SCHEMATIC

Standard Type



- Earth line choke= 100uH / 120uH / 400uH (optional)
- Bleeder resistor= 1M ohm (optional)