

## MPSI CONNEX IEC INLET CONNECTORS, 702 Series:

Order Code 702-0000 – IEC C14 Inlet Push-Fit Connector, 15A, 250V, UL94V-0

| [www.mpsiconnex.com](http://www.mpsiconnex.com) | [sales@mpsiconnex.com](mailto:sales@mpsiconnex.com) |



3-Pole Push-Fit Inlet IEC C14 Connector.

Faston Terminals 4.8mm x 0.8mm as Standard.  
3.6mm & 4.00mm Available (See > Options)

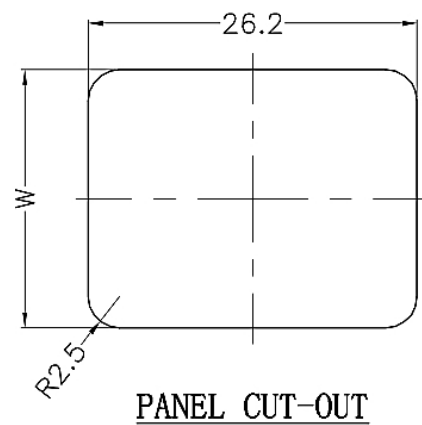
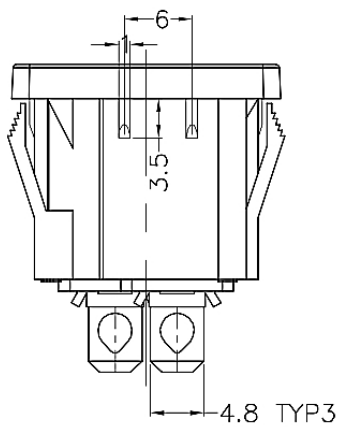
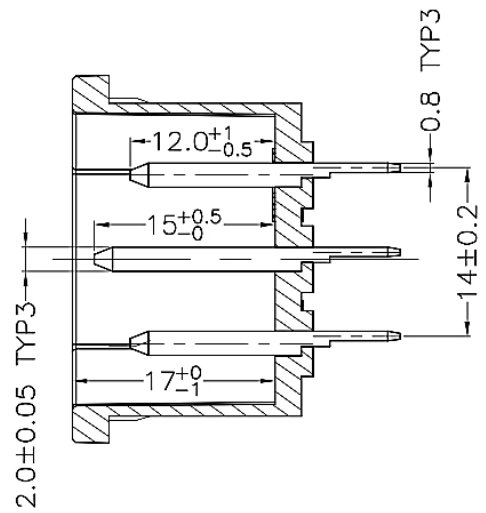
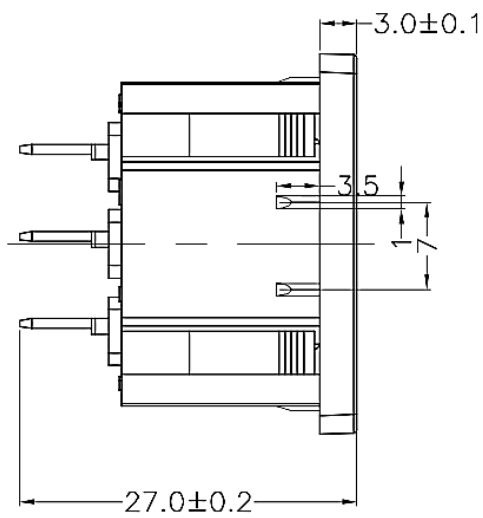
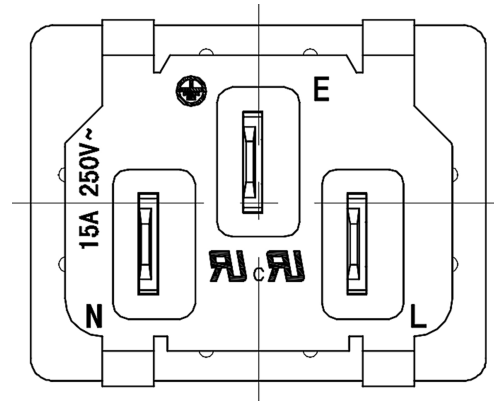
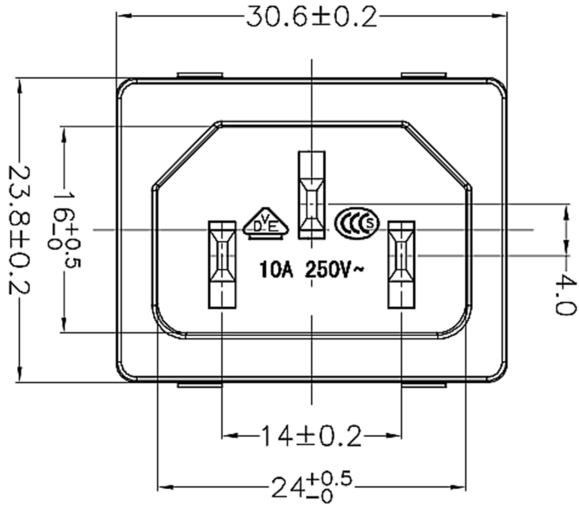
Panel Cut-Out 26.2mm x 20.6 (See > Table)

VDE, CCC & ENEC Certification 10A / 250V.  
UL & cUL Certification 15A / 250V.

### > TECHNICAL SPECIFICATION

|                                     |   |
|-------------------------------------|---|
| VOLTAGE RATING:                     | 250 V                                   |
| CURRENT RATING:                     | 10A (VDE, CCC & ENEC)<br>15A (UL & cUL) |
| INSULATION RESISTANCE:              | OVER 100M OVER 500V DC                  |
| DIELECTRIC W/STAND VOLT BETW TERMS: | 2500V AC (50-60Hz) 1 MINUTE             |
| DIELECTRIC W/STAND VOLT TERMS-BASE: | 3750V AC (50-60Hz) 1 MINUTE             |
| LEAKAGE CURRENT:                    | 1mA                                     |
| BODY MATERIAL:                      | BLACK GLASS FIBRE THERMOPLASTIC UL94V-0 |
| ROHS COMPLIANT:                     | YES                                     |
| PANEL CUT-OUT:                      | 26.2mm x 20.6> SEE TABLE BELOW          |
| FASTON TERMINALS:                   | 4.8mm Standard (See > Options)          |
| INSERTION & EXTRACTION FORCE:       | 1.35-7.0kgf                             |
| TERMINAL STRENGTH:                  | >80N                                    |
| DURABILITY:                         | >5000 CYCLES                            |

> PHYSICAL



| THICKNESS | W    |
|-----------|------|
| 0.6~1.0   | 20.6 |
| 1.0~1.5   | 20.7 |
| 1.5~2.0   | 20.8 |
| 2.0~3.0   | 20.9 |

## > OPTIONS

FASTON TERMINALS:  
(NO SUFFIX = 4.8MM FASTON TERM AS STANDARD)

-3.6 SUFFIX DESIGNATES 3.6MM FASTON TERM  
-4.0 SUFFIX DESIGNATES 4.0MM FASTON TERM

PART NUMBER EXAMPLE: 702-0000-4.0 = IEC CONNECTOR WITH 4.0MM FASTON TERMINALS.  
PLEASE VERIFY AVAILABILITY ON OPTIONS PRIOR TO SELECTION / ORDERING