

## MPSI CONNEX IEC INLET CONNECTORS, 702 Series:

Order Code 702-0005 – IEC C14 Inlet Push-Fit Connector, Fused, 15A, 250V, UL94V-0

| [www.mpsiconnex.com](http://www.mpsiconnex.com) | [sales@mpsiconnex.com](mailto:sales@mpsiconnex.com) |



3-Pole Push-Fit Inlet IEC C14 Connector.

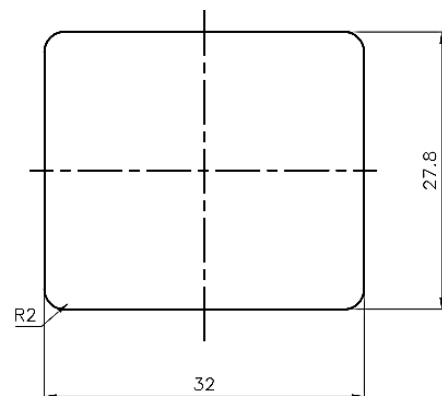
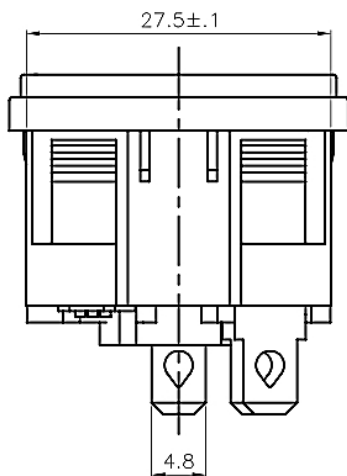
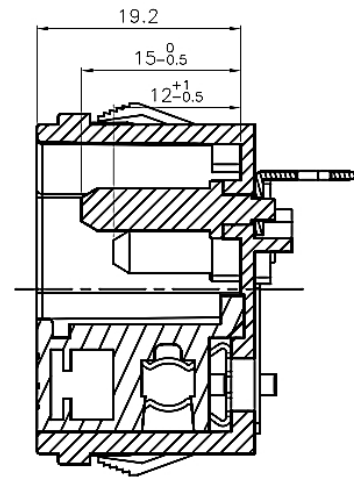
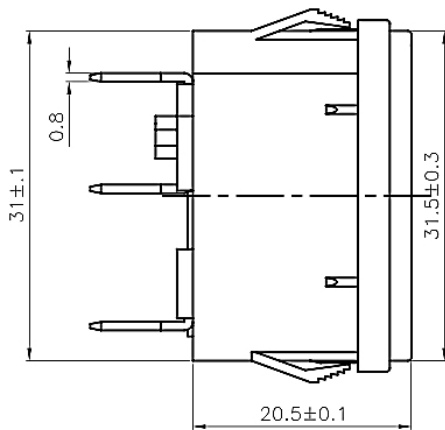
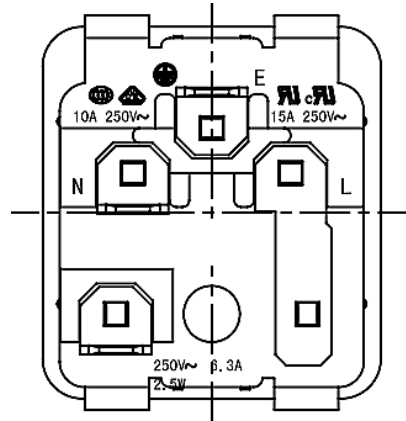
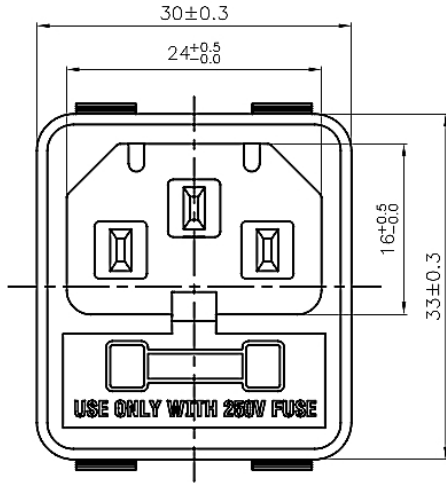
Fuse Drawer with 5x20mm Fuse.  
Faston Terminals 4.8mm x 0.8mm.  
Panel Cut-Out 27.8mm x 32mm.

VDE, CCC Certification 10A / 250V.  
UL & cUL Certification 15A / 250V.

### > TECHNICAL SPECIFICATION

VOLTAGE RATING:	250 V
CURRENT RATING:	10A (VDE, CCC & ENEC) 15A (UL & cUL)
INSULATION RESISTANCE:	OVER 100M OVER 500V DC
DIELECTRIC W/STAND VOLT BETW TERMS:	2500V AC (50-60Hz) 1 MINUTE
DIELECTRIC W/STAND VOLT TERMS-BASE:	3750V AC (50-60Hz) 1 MINUTE
LEAKAGE CURRENT:	1mA
BODY MATERIAL:	BLACK GLASS FIBRE THERMOPLASTIC UL94V-0
ROHS COMPLIANT:	YES
PANEL CUT-OUT:	27.8mm x 32mm
INSERTION & EXTRACTION FORCE:	1.35-7.0kgf
TERMINAL STRENGTH:	>80N
DURABILITY:	>5000 CYCLES

## > PHYSICAL



PANEL CUT-OUT