

MPSI CONNEX DUAL PORT D-SUB CONNECTORS, PCB MOUNT, 600 Series:

Order Code 600DDR (See > Options) – Dual Port, 5A, PCB TH Termination, RA, UL94V-0

| www.mpsiconnex.com | sales@mpsiconnex.com |



Image Illustrative of Range Option

Dual Stacked D-Sub Connectors with PCB Harpoon Boardlocks.

PCB Right Angle Mount, Through-Hole Termination.

Stamped Contact Solder Pins

5A Current Rating.

Available in various Gender Combinations, Numbers of Ways, Row Spacing & Fixing Options, Insulator Colours and Contact Plating, See > Options.

Suitable for Military, Industrial or Commercial Applications and Computer Interfacing etc.

> TECHNICAL SPECIFICATION

NUMBER OF PORTS:	2
MOUNTING TYPE:	PCB THROUGH-HOLE
ORIENTATION:	RIGHT ANGLED 90°
INSULATION (PLASTICS):	PBT GLASS FIBRE REINFORCED (UL94V-0)
CONTACT MATERIAL:	BRASS/BRONZE
CONTACT PLATING:	GOLD (SEE > OPTIONS)
SHELL MATERIAL:	STEEL
SHELL PLATING:	NICKEL
CURRENT RATING:	5A
CONTACT RESISTANCE:	30m Max
DIELECTRIC WITHSTAND VOLTAGE	1000V AC 1 MINUTE
INSULATION RESISTANCE:	5000 M Min
OPERATING TEMPERATURE:	-55°C to +105°C
ROHS COMPLIANT:	YES

> OPTIONS / PART NUMBERING

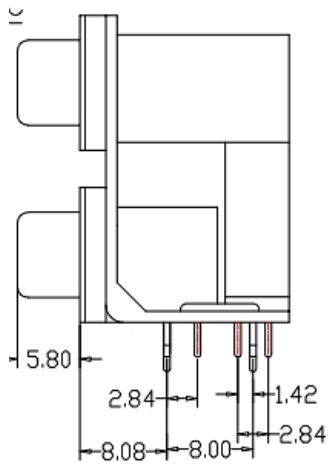
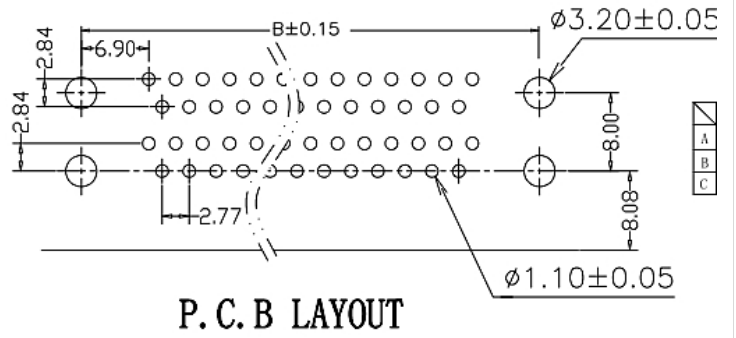
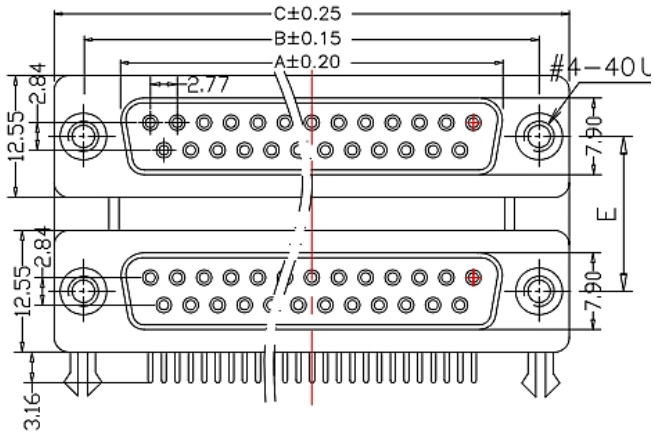
PART NUMBERING EXAMPLE:

600 DDR FF 25 B A B S
 1 2 3 4 5 6 7

PLEASE VERIFY AVAILABILITY ON OPTIONS PRIOR TO SELECTION / ORDERING

1. TYPE:	DDR = DUAL PORT, RIGHT ANGLE
2. GENDER COMBINATIONS:	MM = MALE TO MALE MF = MALE TO FEMALE FF = FEMALE TO FEMALE FM = FEMALE TO MALE
3. NUMBER OF WAYS:	09 = 9 TO 9 15 = 15 TO 15 25 = 25 TO 25 37 = 37 TO 37
4. ROW SPACING (DIMENSION E):	A = 15.88 MM B = 19.05 MM C = 22.86 MM
5. FIXING OPTION:	A = RIVETED GROUND HOOKS WITH #4-40UNC OPEN B = RIVETED GROUND HOOKS LOADED #4-40UNC HEX SCREWS
6. INSULATOR COLOUR:	B = BLACK (UL94V-0) W = WHITE (UL94V-0) G = GREY (UL94V-0) BL = BLUE (UL94V-0)
7. CONTACT PLATING:	S = SELECTIVE GOLD G0 = GOLD FLASH G1 = 3U" GOLD G2 = 5U" GOLD G3 = 10U" GOLD G4 = 15" GOLD G5 = 30" GOLD

> PHYSICAL



DIMENSIONS

	9 Way	15 Way	25 Way	37 Way
A	16.33	24.66	38.38	54.84
B	24.99	33.32	47.04	63.50
C	30.80	39.10	53.00	69.30