

MPSI CONNEX MINI POWER DIN CONNECTOR, 201 Series:

Order Code 201-0005 – 4 Pin, 7.5A, Socket, Thru-Hole, Vertical Mount, Unshielded, UL94V-0.

| www.mpsiconnex.com |

| sales@mpsiconnex.com |



Images are for Illustrative Purposes Only

Mini Power DIN Socket, 4 Pin, 7.5A Rated, Vertical Orientation. Through-Hole Termination, Unshielded, Black Insert, UL94V-0

Supplied in Tray Packaging.

For Portable Digital Equipment Applications including Laptop Computers and Power Supplies etc.

Mates with all industry standard circular Mini DIN plugs.

Our range includes 3 & 4 pin options, shielded and unshielded and vertical and right angled mount options.

> TECHNICAL SPECIFICATION

ELECTRICAL >

CURRENT RATING:	POWER PINS 7.5A PER PIN SIGNAL PIN 1A MAX
VOLTAGE RATING:	28V DC
CONTACT RESISTANCE:	30 mΩ MAX
DIELECTRIC WITHSTANDING VOLTAGE:	2000V AC FOR 1 MINUTE
INSULATION RESISTANCE:	50MΩ
OPERATING TEMP:	-25°C to +70°C

MATERIAL >

CONTACT:	COPPER ALLOY
SOLDER TAILS:	COPPER ALLOY
HOUSING:	PBT UL94V-0 BLACK
RoHS COMPLIANT:	YES

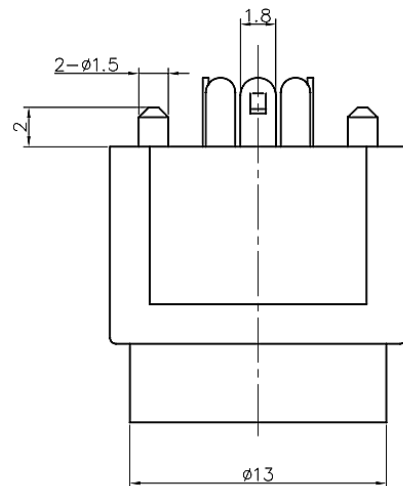
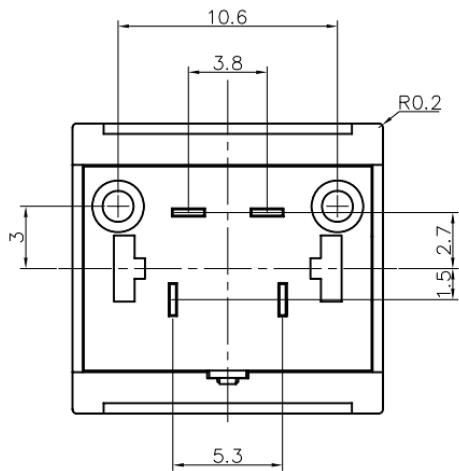
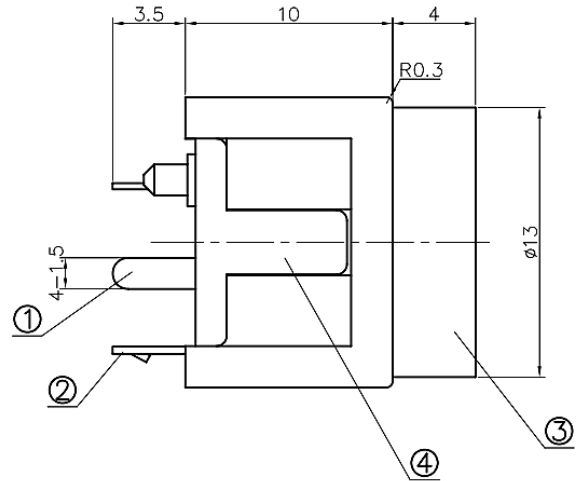
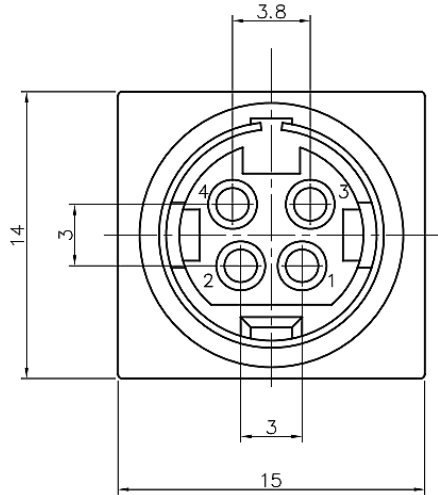
PLATING >

CONTACT:	TIN
SOLDER TAILS:	TIN

MECHANICAL >

MATING FORCE:	4.5Kgf Max
UNMATING FORCE:	0.8Kgf - 3.5Kgf
DURABILITY:	5000 CYCLES

> PHYSICAL



(BOTTOM VIEW)

