

MPSI CONNEX RJ45 Modular Jacks with Integrated Magnetics, 501 Series: Order Code 501-0006 – 1 Port, Gigabit (1000 Base-T), Shielded, LED, PCB T/Hole, RA, UL94V-0

| www.mpsiconnex.com | sales@mpsiconnex.com |



Images are for Illustrative Purposes Only

Gigabit (100/1000 Base-T) RJ45 Jack.

Led's: Yellow/Green, Green

Single-Port, Tab-Up, Shielded with EMI Fingers.

90° PCB Mount Through-Hole, UL94V-0

Integrated Magnetics meeting IEEE 802.3 specification.

Designed to support applications such as Network Interface cards (NIC), LAN-on-Motherboard (LOM), PC, Hubs and Switches.

Drop-in Replacement for Wurth 7499111614A & Pulse JK0-0136NL

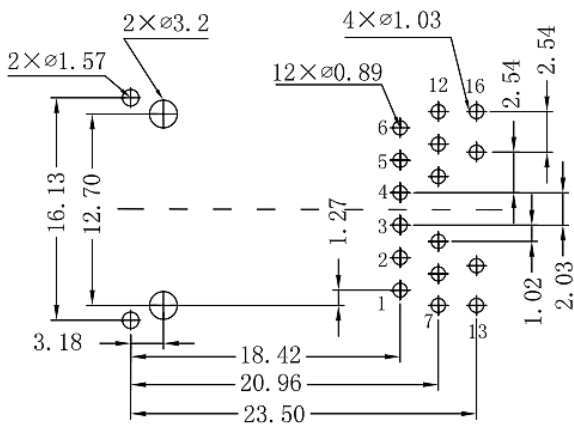
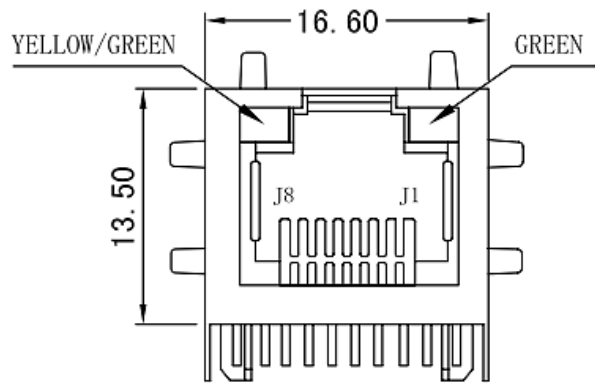
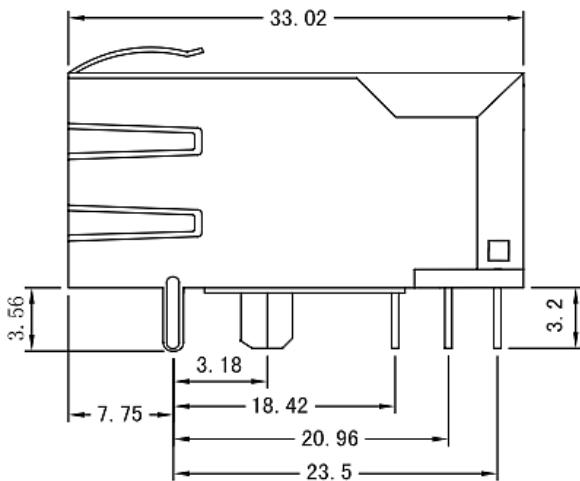
> TECHNICAL SPECIFICATION

PORT CONFIGURATION:	1 x 1 PORTS
CONNECTOR TYPE:	RJ45 ETHERNET (WITHOUT POE)
MOUNTING TYPE:	PCB THROUGH-HOLE
ORIENTATION:	90°
INSULATOR COLOUR:	BLACK
INSULATION (PLASTICS):	PBT UL94V-0 STANDARD
CONTACT MATERIAL:	COPPER ALLOY/BRASS
CONTACT PLATING:	6U" GOLD IN CONTACT AREA
SHIELD MATERIAL:	COPPER ALLOY/BRASS
SHIELD PLATING:	NICKEL PLATING
RoHS COMPLIANT:	YES
INDUCTANCE:	350uH MIN @ 100Khz, 100mV, 8mA DC BIAS
URNS RATIO (+/-2%):	TX=1CT : 1CT RX=1CT : 1CT
INSERTION LOSS 1-100 Mhz:	1.0dB MAX
RETURN LOSS (Load 100Ω) 1-10Mhz:	20dB MIN
RETURN LOSS (Load 100Ω) 10-30Mhz:	16dB MIN
RETURN LOSS (Load 100Ω) 60-80Mhz:	12dB MIN
RETURN LOSS (Load 100Ω) 80-100Mhz:	10dB MIN
CROSSTALK 1-10Mhz:	40dB MIN
CROSSTALK 32-65Mhz:	35dB MIN
CROSSTALK 65-100Mhz:	30dB MIN
COMMON MODE REJECTION 1-125Mhz:	30dB MIN
COMMON MODE REJECTION 125-500Mhz:	20dB MIN
HIPOT:	1500Vrms MIN @ 60Hz

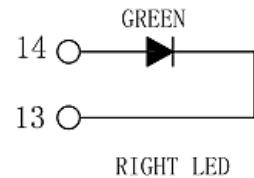
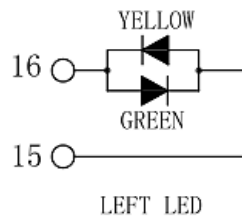
> TECHNICAL SPECIFICATION

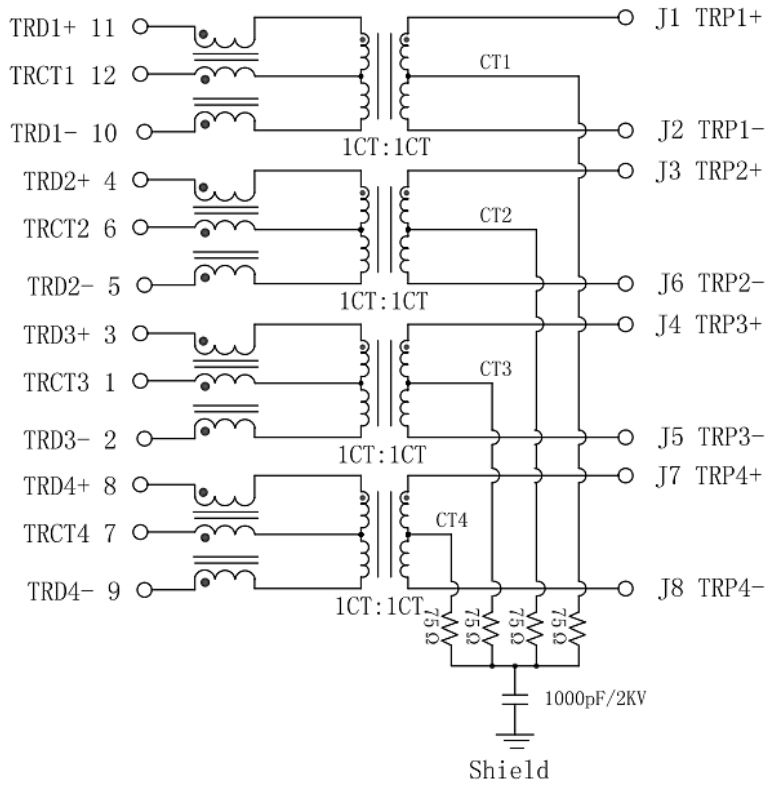
OPERATING TEMPERATURE:	-40°C to +85°C
MATING FORCE (MAX):	5 lbs / 2.268 kgs
UNMATING FORCE (MAX):	5 lbs / 2.268 kgs
PLUG TO JACK RETENTION (MIN):	20 lbs / 9.072 kgs
DURABILITY:	750 MATING CYCLES
WAVE SOLDER TEMPERATURE:	265°C MAX
WAVE SOLDER TEMPERATURE TIME:	5 SEC MAX

> PHYSICAL



SUGGESTED PCB LAYOUT (TOP VIEW)





REACH