

MPSI CONNEX 100-2000 Series 1.27mm (0.050") Pitch 2-Row Vert, SMT, PCB Header: 1A, PA6T UL94V-0, 4 to 100 Contacts. **Order Code 100-2003-XX** (See > Options)

| www.mpsiconnex.com | sales@mpsiconnex.com |



Images are for Illustrative Purposes Only

100-2000 Series Dual-Row 1.27mm Pitch SMT Pin Headers with or without plastic locating posts.

Vertical PCB Mounting and SMT Technology.

Rated at 1A, with Standard UL94V-0 (PA6T) Hi-Temp Insulator

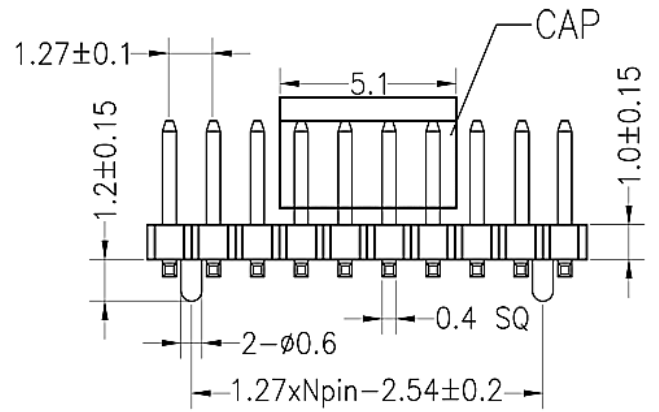
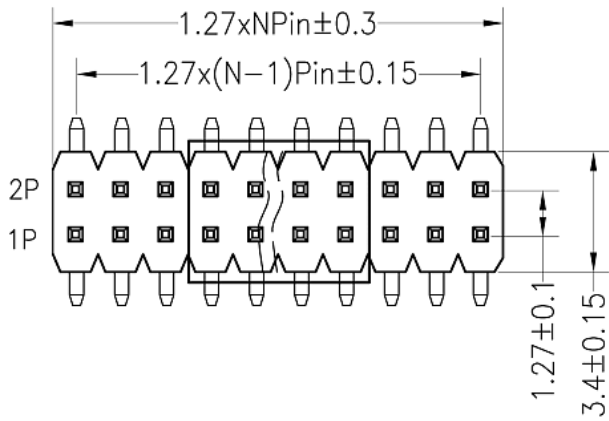
Available Options (*SEE > OPTIONS*):

Total Number of Contacts: 04 (2x2) to 100 (2x50)
Insulator Materials
Contact Plating
Locating Posts
Custom Pin & Insulator Height

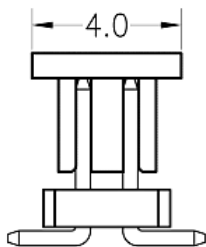
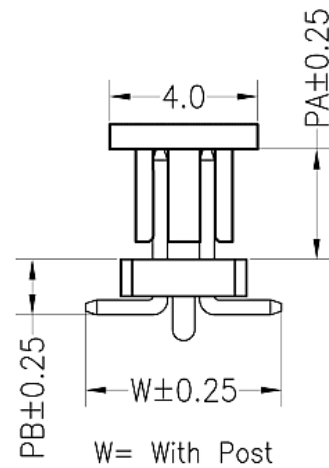
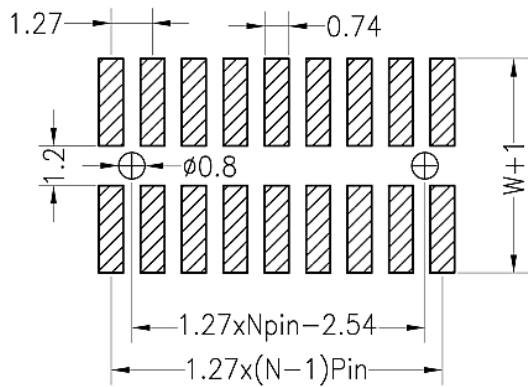
> TECHNICAL SPECIFICATION

| | | |
|----------------------------------|-----------------------------|--------------------|
| PITCH: | 1.27MM | |
| NUMBER OF ROWS: | 2 | |
| NUMBER OF WAYS: | 2 TO 50 (4 TO 100 CONTACTS) | (SEE > OPTIONS) |
| MOUNTING TYPE: | PCB SMT | |
| ORIENTATION: | VERTICAL | |
| INSULATOR COLOUR: | BLACK | |
| INSULATION (PLASTICS): | PA6T UL94V-0 STANDARD | (SEE > OPTIONS) |
| CONTACT MATERIAL: | BRASS/COPPER ALLOY | |
| CONTACT PLATING: | GOLD FLASH STANDARD | (SEE > OPTIONS) |
| RoHS COMPLIANT: | YES | |
| CURRENT RATING: | 1A | |
| CONTACT RESISTANCE: | 20 mΩ MAX | |
| DIELECTRIC WITHSTANDING VOLTAGE: | 500V AC | |
| INSULATION RESISTANCE: | 1000MΩ | |
| OPERATING TEMPERATURE: | -40°C to +105°C | |
| MAX PROCESSING TEMP: | 230°C for 30-60 SECONDS | (260°C 10 SECONDS) |

> PHYSICAL



Recommended P.C.B Layout (Top Side)
(PCB BOARD TOLERANCE ± 0.05)



N= W/O Post

| Dimension antitheses list | | | | |
|---------------------------|------|------|------|------|
| ITEM | PA | PB | W | L |
| Standard | 3.00 | 1.50 | 5.50 | 6.30 |
| Alternate | | | | |

> OPTIONS

| | |
|--|--|
| <p>NUMBER OF WAYS: (FOR DUAL ROW MULTIPLY x 2 FOR NUMBER CONTACTS)</p> | -XX DESIGNATES NUMBER OF WAYS |
| <p>LOCATING POSTS: (WITHOUT POST AS STANDARD NO SUFFIX)</p> | -P DESIGNATES WITH LOCATING POSTS |
| <p>INSULATOR MATLS: (PA6T POLYESTER AS STANDARD NO SUFFIX)</p> | <p>-A PBT (UL94V-0) -B PA46 BLACK POLYAMIDE NYLON (UL94V-0) -C PA66 BLACK POLYAMIDE NYLON (UL94V-0) -D LCP BLACK (UL94V-0)</p> |
| <p>CUSTOM PIN (PA) & INSULATOR (PB) HEIGHT: STD PIN (PA) HEIGHT = 3.0MM (NO SUFFIX) STD INSULATOR (PB) HEIGHT = 1.5MM (NO SUFFIX) <i>PLEASE ENQUIRE ON CUSTOM REQUIREMENTS</i></p> | <p>-PA&VALUE(MM) -PB&VALUE(MM)</p> |
| <p>CONTACT PLATING: (GOLD FLASH OVER NICKEL STANDARD NO SUFFIX)</p> | <p>-G2 1.5U" GOLD -G3 2U" GOLD -G4 3U" GOLD -G5 5U" GOLD -S0 GOLD FLASH/TIN -SN TIN</p> |
| <p>PART NUMBER EXAMPLE: 100-2003-05-P-PA2-PB2.7 = DUAL 5 WAY (10) CONTACTS, PA6T HI-TEMP, WITH POSTS. GOLD FLASH PLATING. CUSTOM DIMENSIONS, PA = 2.00MM & PB = 2.7MM. PLEASE VERIFY AVAILABILITY ON OPTIONS PRIOR TO SELECTION.</p> | |



> REVISION HISTORY

| Revision | Description | Date |
|----------|---|------------|
| 1.0 | Initial Drawing Release | 18.04.2019 |
| 2.0 | Custom PA & PB Dimension Height Options Added | 05.11.2019 |
| | | |
| | | |

Revision History provided is for informational purposes only and is believed to be accurate.