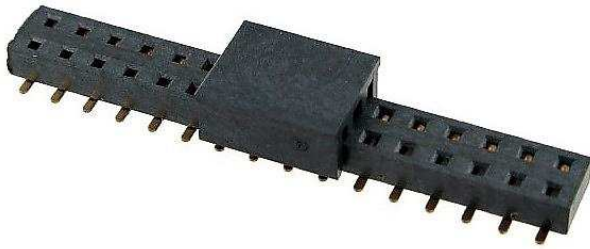


**MPSI CONNEX 101-1000 Series 2.00mm (0.079") Pitch 2-Row Vert, SMT, PCB Socket:
2A, PA6T UL94V-0, 4-80 Pos. Low Profile 2.2mm. Order Code 101-1003-XX (See > Options)**

| www.mpsiconnex.com |

| sales@mpsiconnex.com |



Images are for Illustrative Purposes Only

101-1000 Series Dual-Row 2mm Pitch Female PCB Sockets available with or without Plastic Locating Posts.

Vertical SMT PCB Mount. Dual Entry (Top & Bottom Entry).

Low Profile 2.2mm Plastic Height, 2.5mm Overall Height.

Rated at 2A, Standard UL94V-0 (PA6T) Hi-Temp Insulator

Available Options (*See > Options*):

Number of Ways: 2 to 40 (*4 to 80 Contacts*)

Locating Posts

Insulator Materials

Contact Plating

Packaging

> TECHNICAL SPECIFICATION

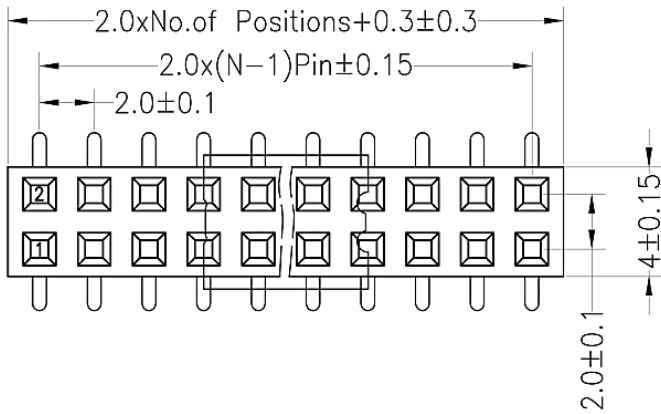
PITCH:	2.00MM	
NUMBER OF ROWS:	2	
NUMBER OF WAYS:	2 to 40 (4 to 80 Contacts)	(SEE > OPTIONS)
MOUNTING TYPE:	PCB SMT	
ORIENTATION:	VERTICAL	
INSULATOR COLOUR:	BLACK	
INSULATOR (PLASTICS) HEIGHT:	2.2mm	
INSULATION (PLASTICS):	PA6T UL94V-0 STANDARD	(SEE > OPTIONS)
CONTACT MATERIAL:	PHOSPHOR BRONZE	
CONTACT PLATING:	GOLD FLASH STANDARD	(SEE > OPTIONS)
RoHS COMPLIANT:	YES	
CURRENT RATING:	2A	
CONTACT RESISTANCE:	20 mΩ MAX	
DIELECTRIC WITHSTANDING VOLTAGE:	500V AC	
INSULATION RESISTANCE:	1000MΩ	
OPERATING TEMPERATURE:	-40°C to +105°C	
MAX PROCESSING TEMP (PA6T):	230°C for 30-60 SECONDS (260°C 10 SECONDS)	



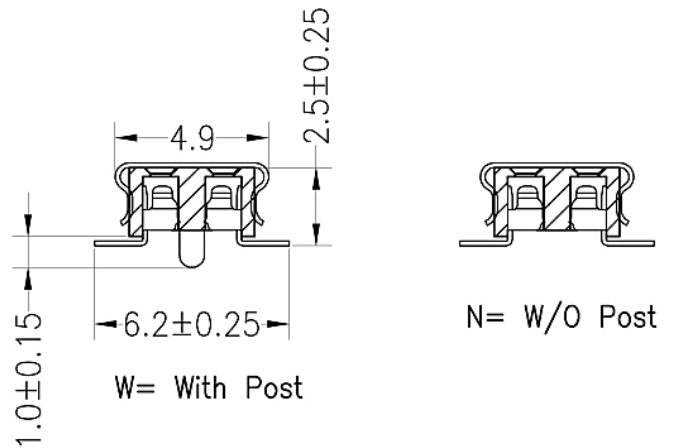
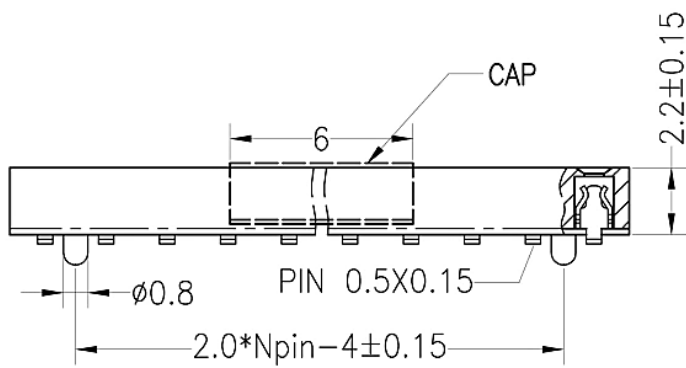
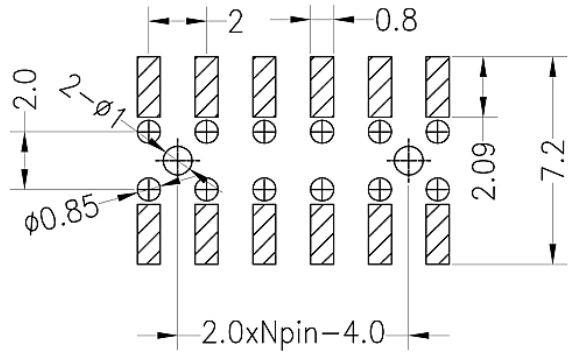
> OPTIONS

<p>NUMBER OF WAYS: (FOR DUAL ROW MULTIPLY x 2 FOR NUMBER CONTACTS)</p>	-XX SUFFIX DESIGNATES NUMBER OF WAYS
<p>LOCATING POSTS: (WITHOUT POST AS STANDARD NO SUFFIX)</p>	-P DESIGNATES WITH LOCATING POSTS
<p>INSULATOR MATLS: (PA6T POLYESTER HI TEMP AS STD NO SUFFIX)</p>	<ul style="list-style-type: none"> -A PBT (UL94V-0) -B PA46 BLACK POLYAMIDE NYLON (UL94V-0) -C PA66 BLACK POLYAMIDE NYLON (UL94V-0) -D LCP BLACK (UL94V-0) -E PA9T BLACK POLYAMIDE NYLON (UL94V-0)
<p>CONTACT PLATING: (GOLD FLASH AS STANDARD NO SUFFIX)</p>	<ul style="list-style-type: none"> -G2 3U" GOLD -G3 5U" GOLD -G4 10U" GOLD -G5 15U" GOLD -G6 30U" GOLD -S0 GOLD FLASH/TIN -SN TIN
<p>PACKAGING: (TAPE & REEL + CAP AS STANDARD NO SUFFIX)</p>	<ul style="list-style-type: none"> -1 PE BAG -2 TRAY -3 TUBE -4 REEL + MYLAR
<p>PART NUMBER EXAMPLE: 101-1003-20 = 20 WAY, 40 POS (20 x 2), HI-TEMP INS, W/O POST, GOLD FLASH PLATING, REEL + CAP. PLEASE VERIFY AVAILABILITY ON OPTIONS PRIOR TO SELECTION / ORDERING</p>	

> PHYSICAL



Recommended P.C.B Layout (Top Side)
(PCB BOARD TOLERANCE ± 0.05)





> REVISION HISTORY

Revision	Description	Date
1.0	Initial Drawing Release	10.04.2019

Revision History provided is for informational purposes only and is believed to be accurate.