

## MPSI CONNEX MICRO USB 2.0 Connectors, 603 Series:

Order Code 603-0007 – USB Micro 2.0 Type B, 5-Pin Recept, 90°, SMT, Black UL94V-0 Insulator

| [www.mpsiconnex.com](http://www.mpsiconnex.com) |

| [sales@mpsiconnex.com](mailto:sales@mpsiconnex.com) |



Images are for Illustrative Purposes Only

Micro USB 2.0. Type B, 5-Pin, PCB 90° Surface Mount Female Receptacle with Copper Alloy Contacts and Shell.

Nickel Plated Shell. Gold Flash Plated Solder Tails.

Current Rating 1.8A. Black PBT Insulator.

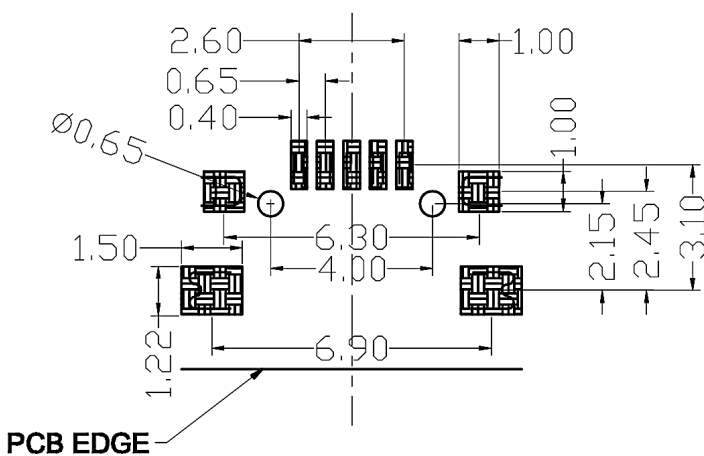
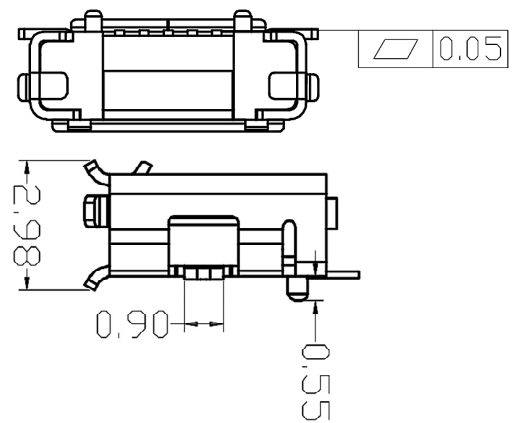
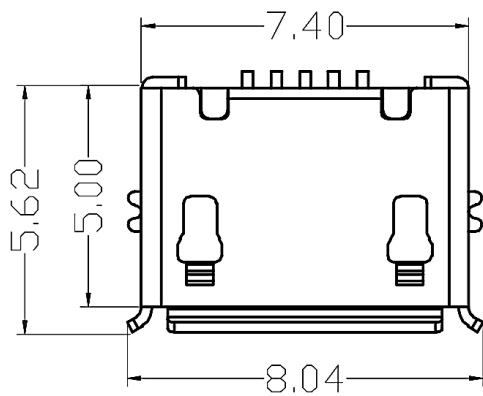
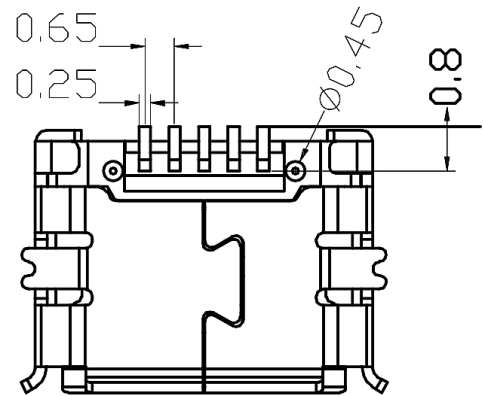
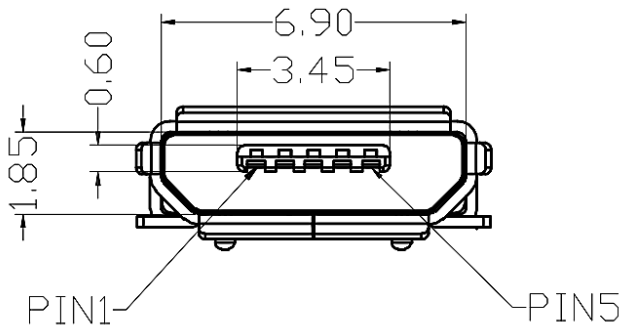
Gold Flash (1 Micron) Plated Contacts.

Supplied in Tape & Reel / Cut-Tape.

### > TECHNICAL SPECIFICATION

NUMBER OF PORTS:	SINGLE	
CONNECTOR TYPE:	USB 2.0 MICRO TYPE B RECEPTACLE	
MOUNTING TYPE:	PCB SMT	
ORIENTATION:	HORIZONTAL 90°	
INSULATION (PLASTICS):	PBT BLACK UL94V-0	(See > Options)
CONTACT MATERIAL:	COPPER ALLOY	
CONTACT PLATING:	1 MICRON (u") GOLD	(See > Options)
SHELL MATERIAL:	COPPER ALLOY	
SHELL PLATING:	NICKEL	
SOLDER TAILS:	GOLD-FLASH	
RoHS COMPLIANT:	YES	
CURRENT RATING:	1.8A	
VOLTAGE RATING:	30V DC	
CONTACT RESISTANCE:	30 mΩ MAX	
DIELECTRIC WITHSTANDING VOLTAGE:	250V AC	
INSULATION RESISTANCE:	100MΩ	
OPERATING TEMPERATURE:	-30°C to +85°C	
MATING FORCE (MAX):	3.57kgf	
UNMATING FORCE (MAX):	1.02kgf	
TERMINAL RETENTION (MAX):	1.0kgf	
DURABILITY:	1000 MATING CYCLES	

## > PHYSICAL



RECOMMENDED PCB LAYOUT  
TOLERANCE:  $\pm 0.05$

## > OPTIONS

SHELL MATERIAL:  
(COPPER ALLOY AS STANDARD NO SUFFIX)

CONTACT PLATING:  
(GOLD FLASH STANDARD NO SUFFIX)

INSULATOR MATLS:  
(BLACK PBT STANDARD NO SUFFIX)

PACKAGING:  
(T&R / CUT TAPE AS STANDARD NO SUFFIX)

PLEASE ENQUIRE FOR OTHER OPTIONS

PART NO. EXAMPLE: 603-0007 = COPPER ALLOY SHELL, GOLD FLASH PLATING, BLACK PBT UL94V-0 INSULATOR. T&R / CUT TAPE PACKAGING. PLEASE VERIFY AVAILABILITY PRIOR TO SELECTION.



## > REVISION HISTORY

Revision	Description	Date
1.0	Initial Drawing Release	20.03.2020

Revision History provided is for informational purposes only and is believed to be accurate.