

MPSI CONNEX USB 2.0 Connectors, 604 Series:

Order Code 604-0007 – (See > Options) – Type A Recept, Horizontal 90° Mount, TH, UL94V-0

| www.mpsiconnex.com | sales@mpsiconnex.com |



Images are for Illustrative Purposes Only

USB 2.0 Standard. Type A, Right Angled 90°, Through-Hole PCB Mount Receptacle. Current Rating 1.5A.

Gold (1 Micron) Plated Contacts (See > Options)
Tin Plated Solder Tails and Nickel Plated Shell.

Copper Alloy or Steel Shell (See > Options).
White PBT Insulator as Standard (See > Options).

Mates with USB 2.0 Type A Male Cables.
Backward Compatible with USB 1.1. Supplied in Tray Packaging.

> TECHNICAL SPECIFICATION

NUMBER OF PORTS:	SINGLE
CONNECTOR TYPE:	USB 2.0 TYPE A RECEPTACLE
MOUNTING TYPE:	PCB THROUGH-HOLE
ORIENTATION:	HORIZONTAL 90°
INSULATION (PLASTICS):	PBT WHITE/BLK UL94V-0 (E318855) (See > Options)
CONTACT MATERIAL:	COPPER ALLOY
CONTACT PLATING:	1 MICRON (u") GOLD OVER NICKEL (See > Options)
SHELL MATERIAL:	COPPER ALLOY OR STEEL (See > Options)
SHELL PLATING:	NICKEL
SOLDER TAILS:	TIN
RoHS COMPLIANT:	YES
CURRENT RATING:	1.5A
VOLTAGE RATING:	30V DC
CONTACT RESISTANCE:	30 mΩ MAX
DIELECTRIC WITHSTANDING VOLTAGE:	500V AC
INSULATION RESISTANCE:	1000MΩ
OPERATING TEMPERATURE:	-25°C to +70°C
MATING FORCE (MAX):	2.5kgf
UNMATING FORCE (MAX):	0.8-2.0kgf
DURABILITY:	1500 MATING CYCLES



> OPTIONS

SHELL MATERIAL:

-C SUFFIX DESIGNATES COPPER ALLOY
-S SUFFIX DESIGNATES STEEL

INSULATOR COLOUR:

-W SUFFIX DESIGNATES WHITE
-B SUFFIX DESIGNATES BLACK

INSULATOR MATLS:
(PBT AS STD NO SUFFIX)

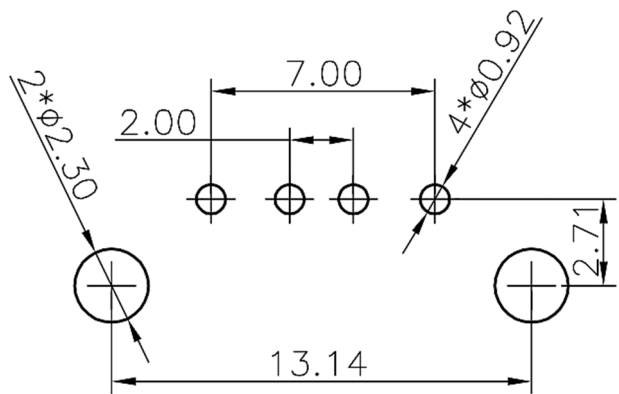
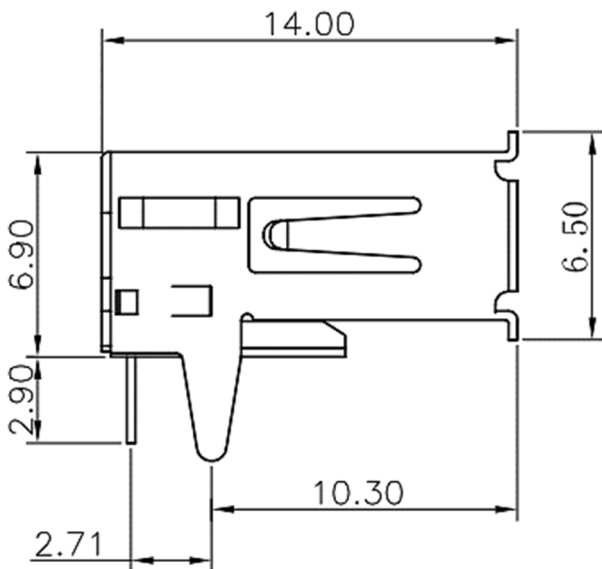
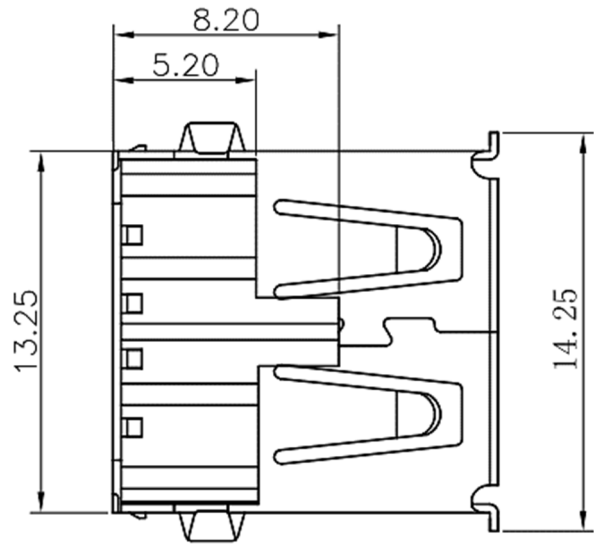
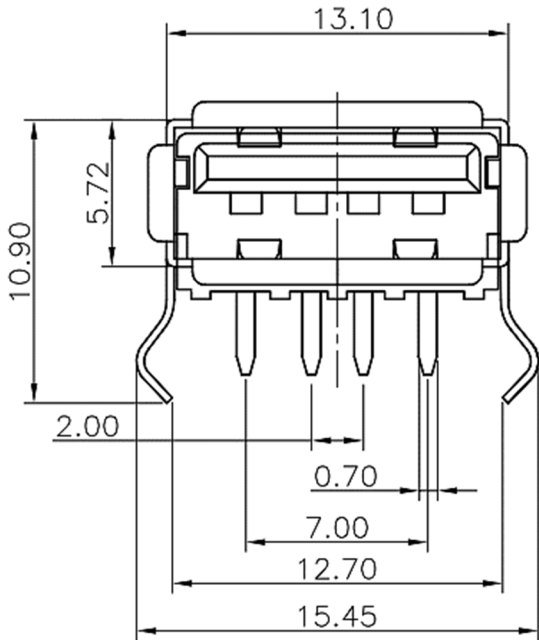
OTHER INSULATOR MATERIALS (LCP)
MAY BE AVAILABLE UPON REQUEST

CONTACT PLATING:
(GOLD FLASH 1U MICRON STANDARD NO SUFFIX)

OTHER CONTACT PLATING OPTIONS
MAY BE AVAILABLE UPON REQUEST

PART NUMBER EXAMPLE: 604-0007-C-W = COPPER ALLOY SHELL, WHITE INSULATOR, 1U" MICRON CONTACT PLATING. PLEASE VERIFY AVAILABILITY ON OPTIONS PRIOR TO SELECTION / ORDERING

> PHYSICAL



PCB.LAYOUT

TOL: ± 0.05



> REVISION HISTORY

Revision	Description	Date
1.0	Initial Drawing Release	11.04.2011

Revision History provided is for informational purposes only and is believed to be accurate.