

## MPSI CONNEX USB 2.0 Connectors, 604 Series:

Ordering Code 604-0010 (See > Options) – Type B Recept, Vertical, TH, UL94V-0

| [www.mpsiconnex.com](http://www.mpsiconnex.com) |

| [sales@mpsiconnex.com](mailto:sales@mpsiconnex.com) |



Images are for Illustrative Purposes Only

USB 2.0 Standard. Type B, Vertical Through-Hole PCB Mount Receptacle.

Current Rating 1.5A. Gold (1 Micron) Plated Contacts (See > Options)  
Tin Plated Solder Tails and Nickel Plated Shell.

Copper Alloy or Steel Shell (See > Options).  
White PBT Insulator as Standard (See > Options).

Mates with USB 2.0 Type A Male Cables.  
Backward Compatible with USB 1.1. Supplied in Tray Packaging.

### > TECHNICAL SPECIFICATION

NUMBER OF PORTS:	SINGLE
CONNECTOR TYPE:	USB 2.0 TYPE B RECEPTACLE
MOUNTING TYPE:	PCB THROUGH-HOLE
ORIENTATION:	VERTICAL
INSULATION (PLASTICS):	PBT WHI/BLK UL94V-0 (E318855) (See > Options)
CONTACT MATERIAL:	COPPER ALLOY
CONTACT PLATING:	1 MICRON (u") GOLD OVER NICKEL
SHELL MATERIAL:	COPPER ALLOY OR STEEL (See > Options)
SHELL PLATING:	NICKEL
SOLDER TAILS:	TIN
RoHS COMPLIANT:	YES
CURRENT RATING:	1.5A
VOLTAGE RATING:	30V DC
CONTACT RESISTANCE:	30 mΩ MAX
DIELECTRIC WITHSTANDING VOLTAGE:	500V AC
INSULATION RESISTANCE:	1000MΩ
OPERATING TEMPERATURE:	-25°C to +70°C
MATING FORCE (MAX):	3.57kgf
UNMATING FORCE (MIN):	1.02kgf
RETENTION FORCE:	1.2kgf
DURABILITY:	1500 MATING CYCLES



## > OPTIONS

SHELL MATERIAL:

-C SUFFIX DESIGNATES COPPER ALLOY  
-S SUFFIX DESIGNATES STEEL

INSULATOR COLOUR:

-W SUFFIX DESIGNATES WHITE  
-B SUFFIX DESIGNATES BLACK

INSULATOR MATLS:  
(PBT AS STD NO SUFFIX)

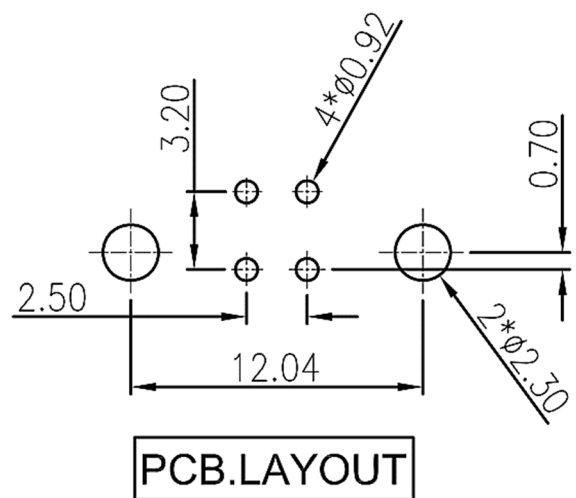
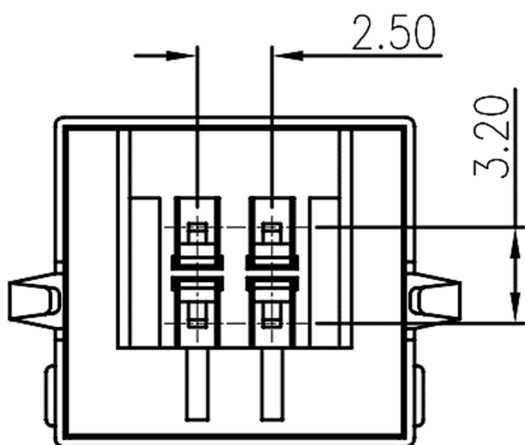
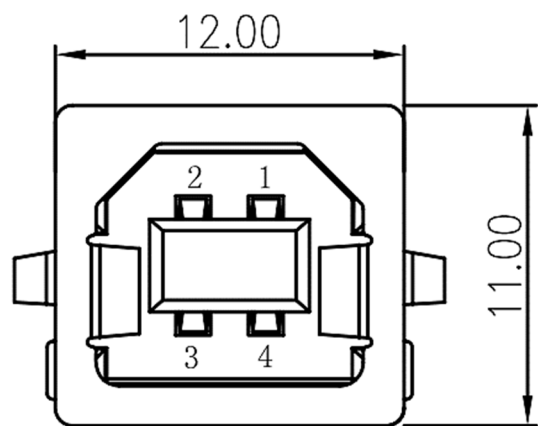
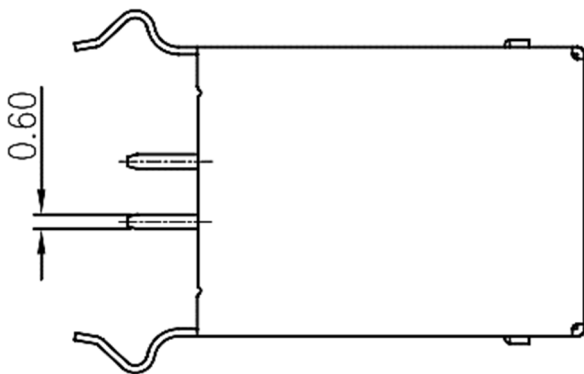
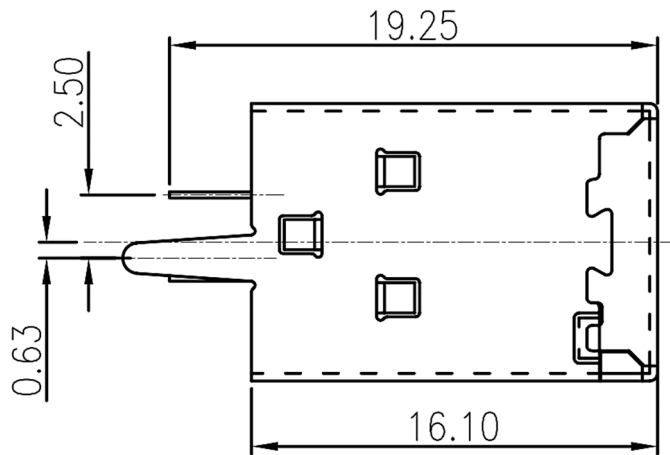
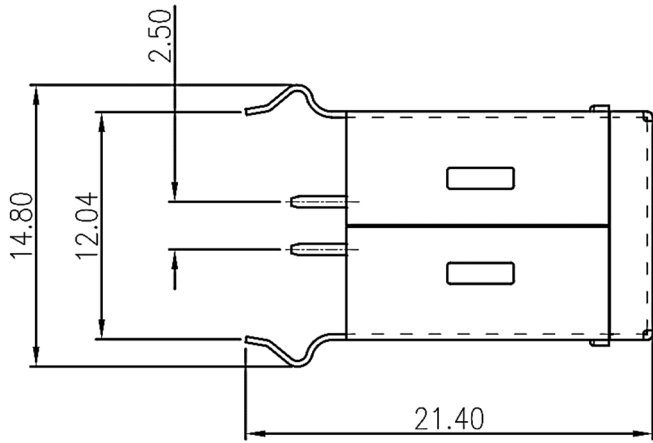
-D SUFFIX DESIGNATES LCP (UL94V-0) HI-TEMP

CONTACT PLATING:  
(GOLD FLASH AS STANDARD NO SUFFIX)

OTHER CONTACT PLATING UPON REQUEST

PART NUMBER EXAMPLE: 604-0010-C-W = COPPER ALLOY SHELL, WHITE INSULATOR, GOLD-FLASH CONTACT PLATING. PLEASE VERIFY AVAILABILITY ON OPTIONS PRIOR TO SELECTION / ORDERING

## > PHYSICAL





## > REVISION HISTORY

Revision	Description	Date
1.0	Initial Drawing Release	10.07.2013

Revision History provided is for informational purposes only and is believed to be accurate.