

MPSI CONNEX USB 2.0 Connectors, 604 Series:

Order Code 604-0012 (See > Options) – Type A Recept, 90° Vertical 'Flag' Mount, TH, UL94V-0

| www.mpsiconnex.com |

| sales@mpsiconnex.com |



Images are for Illustrative Purposes Only

USB 2.0 Standard. Type A, Vertical 90° 'Flag' Mount Through-Hole PCB Receptacle. Current Rating 1.5A.

Gold (1 Micron) Plated Contacts (See > Options)
Tin Plated Solder Tails and Nickel Plated Shell.

Copper Alloy or Steel Shell (See > Options).
White PBT Insulator as Standard (See > Options).

Mates with USB 2.0 Type A Male Cables.
Backward Compatible with USB 1.1. Supplied in Tray Packaging.

> TECHNICAL SPECIFICATION

NUMBER OF PORTS:	SINGLE
CONNECTOR TYPE:	USB 2.0 TYPE A RECEPTACLE
MOUNTING TYPE:	PCB THROUGH-HOLE
ORIENTATION:	VERTICAL 90° 'FLAG' MOUNT
INSULATION (PLASTICS):	PBT WHITE/BLACK UL94V-0 (See > Options)
CONTACT MATERIAL:	COPPER ALLOY
CONTACT PLATING:	1 MICRON (u") GOLD OVER NICKEL
SHELL MATERIAL:	COPPER ALLOY OR STEEL (See > Options)
SHELL PLATING:	NICKEL
SOLDER TAILS:	TIN
RoHS COMPLIANT:	YES
CURRENT RATING:	1.5A
VOLTAGE RATING:	30V DC
CONTACT RESISTANCE:	30 mΩ MAX
DIELECTRIC WITHSTANDING VOLTAGE:	500V AC
INSULATION RESISTANCE:	1000MΩ
OPERATING TEMPERATURE:	-25°C to +70°C
MATING FORCE (MAX):	2.5kgf
UNMATING FORCE (MAX):	0.8-2.0kgf
DURABILITY:	1500 MATING CYCLES



> OPTIONS

SHELL MATERIAL:

-C SUFFIX DESIGNATES COPPER ALLOY
-S SUFFIX DESIGNATES STEEL

INSULATOR COLOUR:

-W SUFFIX DESIGNATES WHITE
-B SUFFIX DESIGNATES BLACK

INSULATOR MATLS:
(PBT AS STD NO SUFFIX)

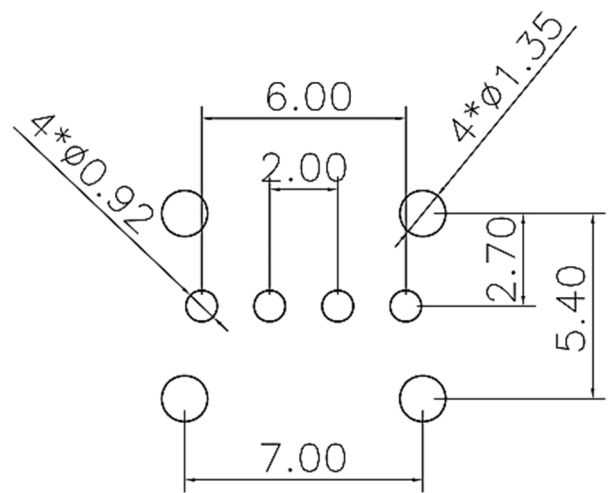
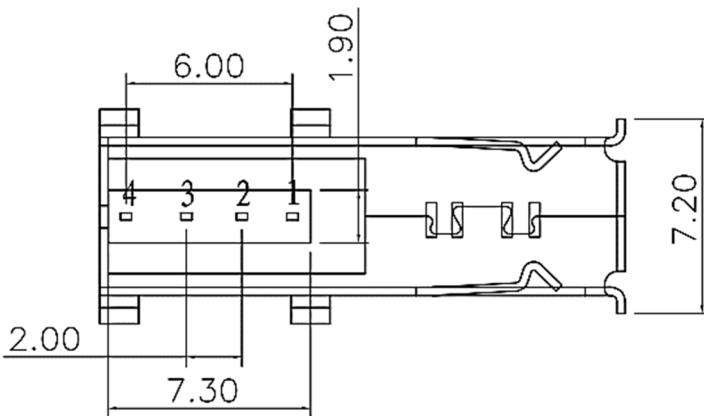
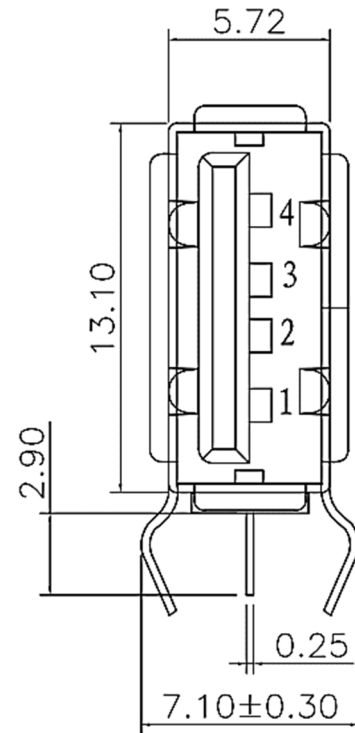
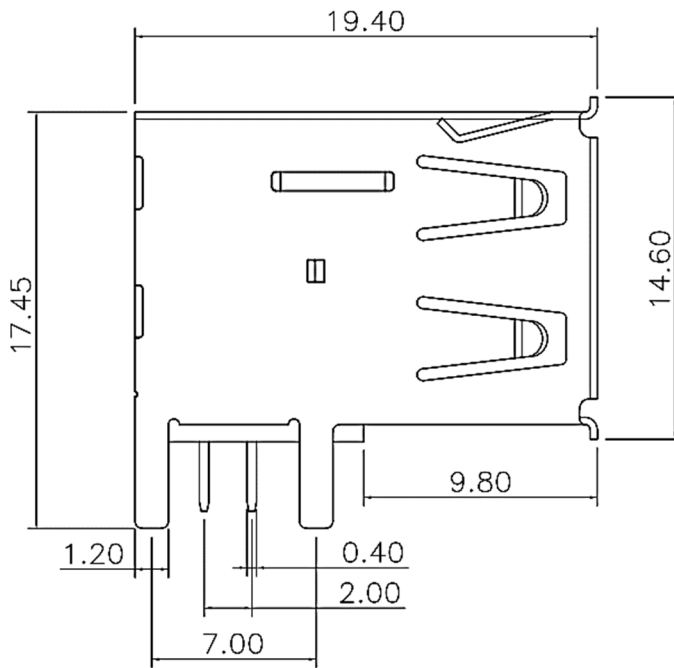
-D SUFFIX DESIGNATES LCP (UL94V-0) HI-TEMP

CONTACT PLATING:
(GOLD FLASH AS STANDARD NO SUFFIX)

OTHER CONTACT PLATING UPON REQUEST

PART NUMBER EXAMPLE: 604-0012-C-W = COPPER ALLOY SHELL WITH WHITE INSULATOR
PLEASE VERIFY AVAILABILITY ON OPTIONS PRIOR TO SELECTION / ORDERING

> PHYSICAL



PCB.LAYOUT



> REVISION HISTORY

Revision	Description	Date
1.0	Initial Drawing Release	05.09.2012

Revision History provided is for informational purposes only and is believed to be accurate.