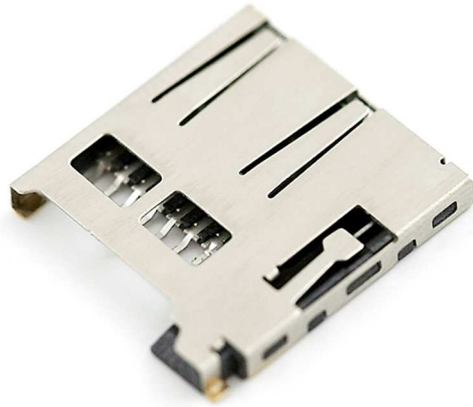


MPSI CONNEX Secure Digital (SD) Card Connectors, 301 Series:

Ordering Code 301-0002 – MicroSD, 8-Way, Push-Push, Metal Shield, PCB R/A SMT, UL94V-0

| www.mpsiconnex.com |

| sales@mpsiconnex.com |



Images are for Illustrative Purposes Only

Compatibility with Standard MicroSD Card Formats.

Normal Polarisation.

PCB SMT, Right Angled Receptacle, Current Rating 0.5A

Metal Shield, Hi-Temp Black LCP (UL94V-0) Insulator

Gold (1 Micron) Plated Phosphor Bronze Contacts, Tin Plated Solder Tails and Nickel Plated Shell.

Tray or Tape & Reel Packaging.

> TECHNICAL SPECIFICATION

MOUNTING TYPE:

PCB SMT

ORIENTATION:

HORIZONTAL

INSULATION (PLASTICS):

LCP BLACK UL94V-0 (HI-TEMP)

CONTACT MATERIAL:

PHOSPHOR BRONZE

CONTACT PLATING:

GOLD FLASH 1 MICRON U" GOLD

SHELL MATERIAL:

STAINLESS STEEL

SHELL PLATING:

NICKEL

SOLDER TAIL PLATING:

TIN

RoHS COMPLIANT:

YES

CURRENT RATING:

0.5A

CONTACT RESISTANCE:

100 mΩ MAX

DIELECTRIC WITHSTANDING VOLTAGE:

500V AC

INSULATION RESISTANCE:

1000MΩ

OPERATING TEMPERATURE:

-25°C to +85°C

CARD PUSH INSERTION FORCE:

2.0Kgf

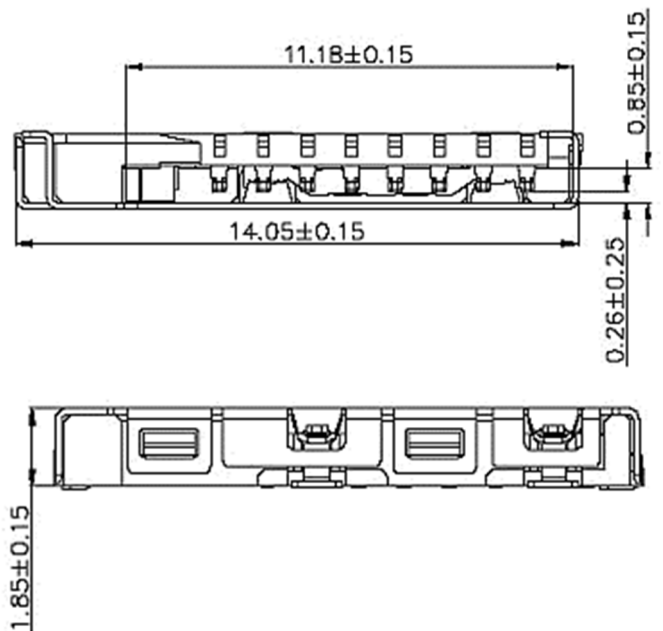
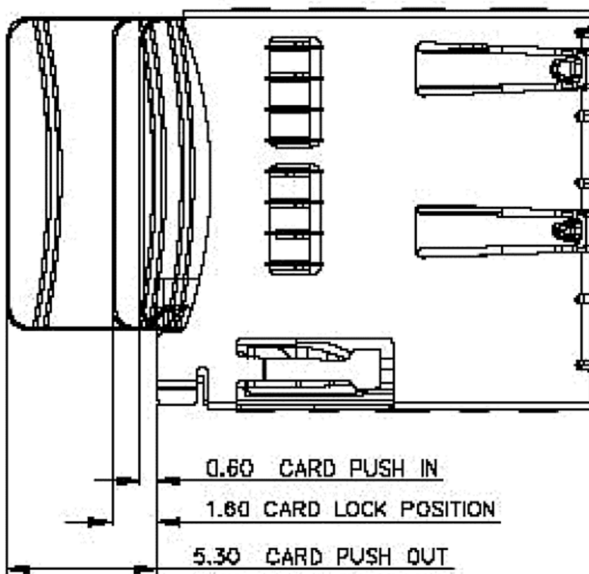
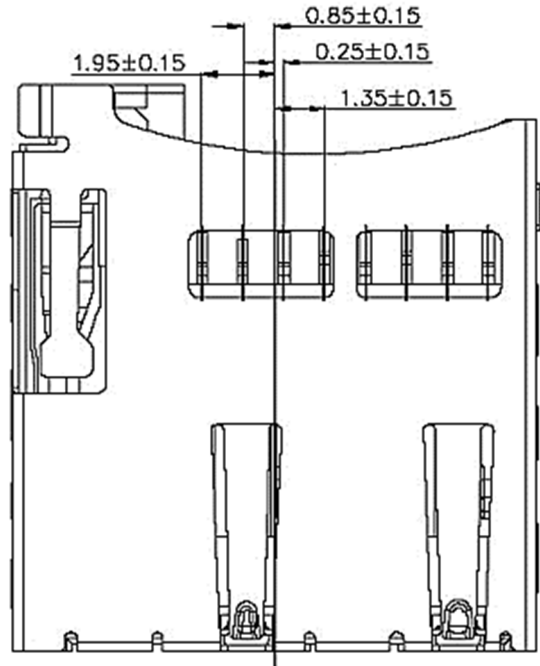
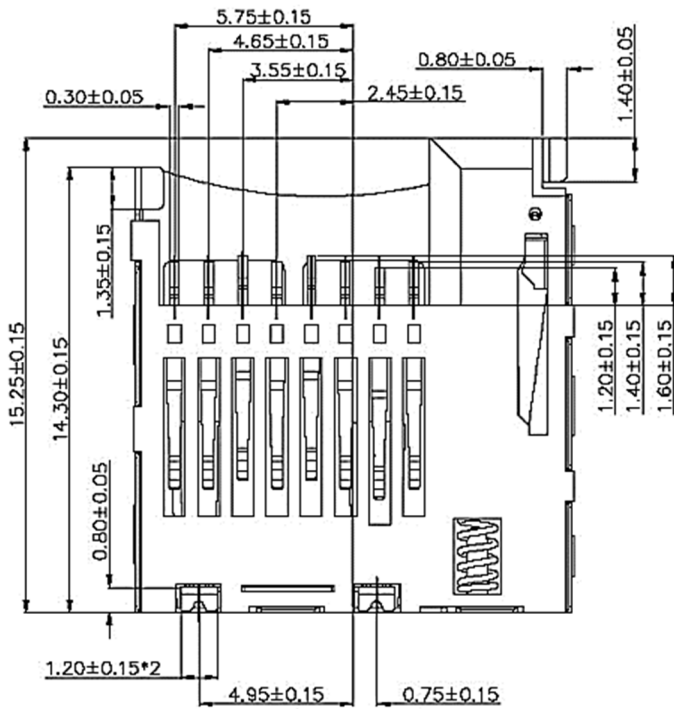
CARD EXTRACTION FORCE:

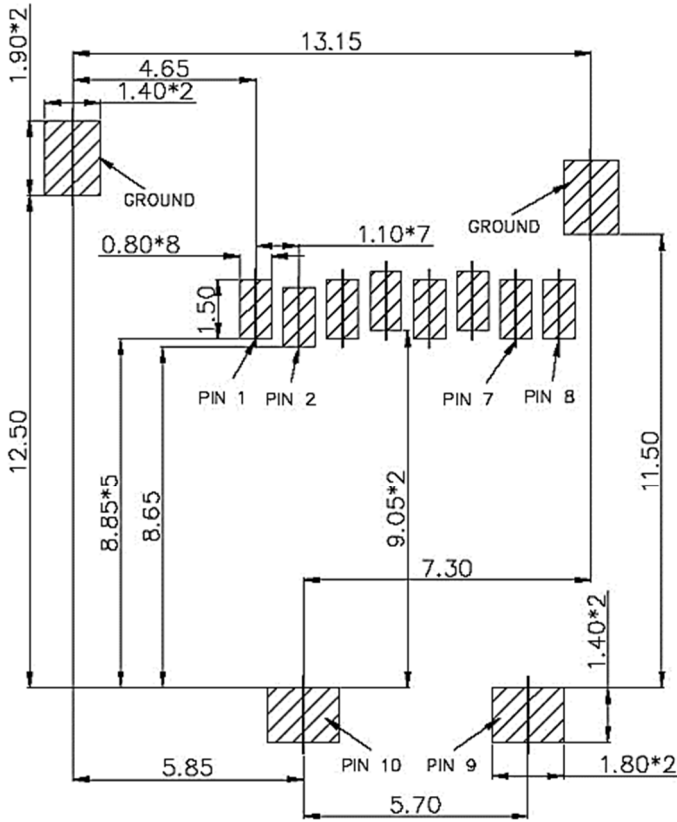
0.5Kgf

DURABILITY:

10,000 MATING CYCLES

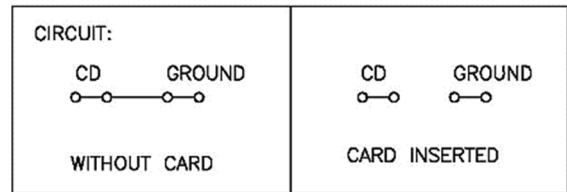
> PHYSICAL





RECOMMENDED PCB LAYOUT
(ALL TOLERANCE ARE ± 0.05)

Pin No.	MICRO SD
PIN1	DAT2 1P
PIN2	CD/DAT3 2P
PIN3	CMD 3P
PIN4	VDD 4P
PIN5	CLK 5P
PIN6	VSS 6P
PIN7	DAT0 7P
PIN8	DAT1 8P
PIN9	CARD DETECT
PIN10	



> OPTIONS

CONTACT PLATING:
(GOLD FLASH OVER NICKEL STANDARD NO SUFFIX)

- G3 3U" GOLD
- G5 5U" GOLD
- G10 10U" GOLD
- G15 15U" GOLD

PART NUMBER EXAMPLE: 301-0002 MICRO SD CARD SOCKET, SMT, HI-TEMP LCP INSULATOR, GOLD FLASH PLATING. PLEASE VERIFY AVAILABILITY ON OPTIONS PRIOR TO SELECTION.



> REVISION HISTORY

Revision	Description	Date
1.0	Initial Drawing Release	16.12.13

Revision History provided is for informational purposes only and is believed to be accurate.