

## MPSI CONNEX Secure Digital (SD) Card Connectors, 301 Series:

Ordering Code 301-0005 – SD, 9-Way, Push-Push, Metal Shield, PCB R/A SMT, UL94V-0

| [www.mpsiconnex.com](http://www.mpsiconnex.com) |

| [sales@mpsiconnex.com](mailto:sales@mpsiconnex.com) |



Images are for Illustrative Purposes Only

Compatibility with Standard SD Card Formats.

Normal Polarisation.

PCB SMT, Right Angled Receptacle, Current Rating 0.5A

Metal Shield, Hi-Temp Black LCP (UL94V-0) Insulator

Gold (1 Micron) Plated Copper Alloy Contacts, Tin Plated Solder Tails and Nickel Plated Shell.

Tray Packaging as Standard.

### > TECHNICAL SPECIFICATION

MOUNTING TYPE:

PCB SMT

ORIENTATION:

HORIZONTAL

INSULATION (PLASTICS):

LCP BLACK UL94V-0 (HI-TEMP)

CONTACT MATERIAL:

BRASS/COPPER ALLOY

CONTACT PLATING:

GOLD FLASH 1 MICRON U" GOLD

SHELL MATERIAL:

STAINLESS STEEL

SHELL PLATING:

NICKEL

SOLDER TAIL PLATING:

TIN

RoHS COMPLIANT:

YES

CURRENT RATING:

0.5A

CONTACT RESISTANCE:

40 mΩ MAX

DIELECTRIC WITHSTANDING VOLTAGE:

500V AC

INSULATION RESISTANCE:

1000MΩ

OPERATING TEMPERATURE:

-25°C to +90°C

CARD PUSH INSERTION/OUT FORCE:

0.7-1.2kgf

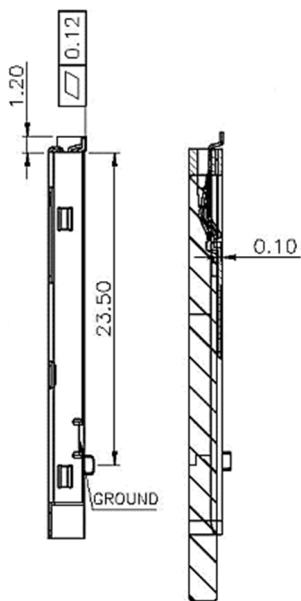
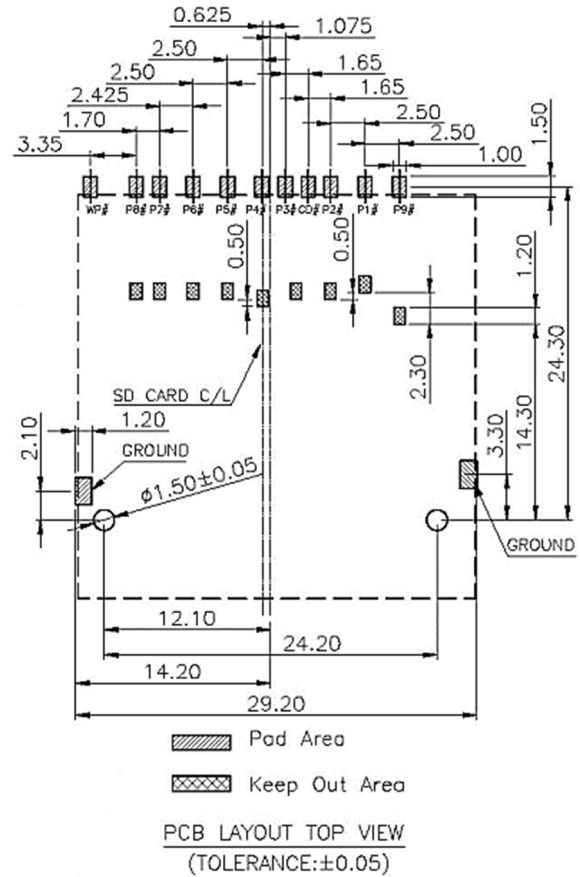
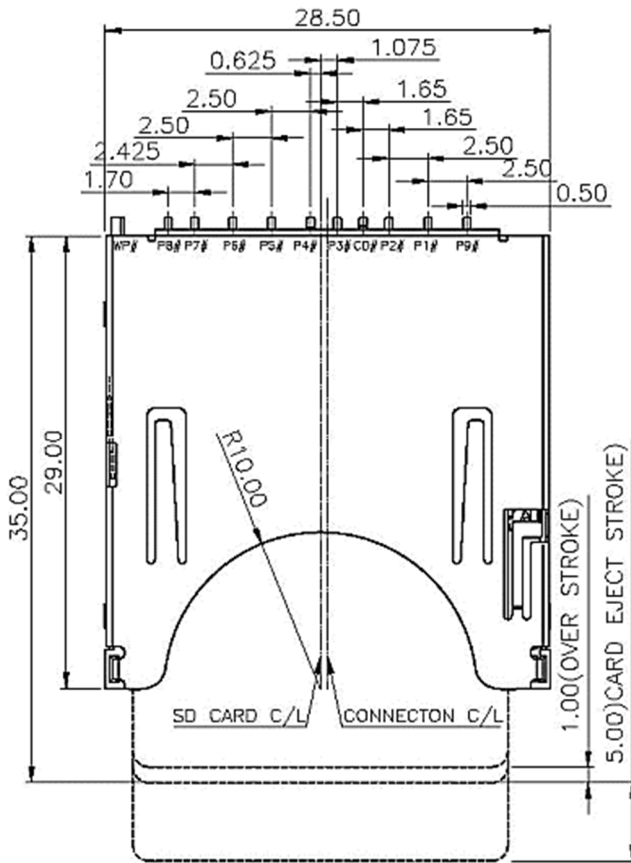
CONTACT SEPARATION FORCE:

0.20kgf MIN

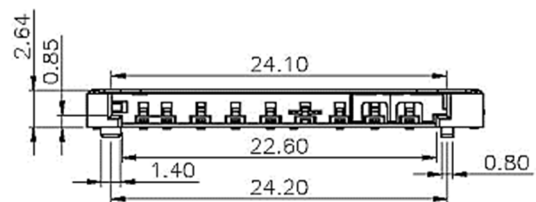
DURABILITY:

10,000 MATING CYCLES

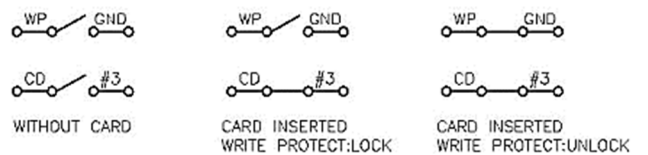
## > PHYSICAL



Pin No.	NAME
1	CD/DAT3
2	CMD
3	Vss1
4	VDD
5	CLK
6	Vss2
7	DAT0
8	DAT1
9	DAT2



### CIRCUIT:





> OPTIONS

CONTACT PLATING: (GOLD FLASH OVER NICKEL STANDARD NO SUFFIX)	-G3 3U" GOLD -G5 5U" GOLD -G10 10U" GOLD
---	--

PART NUMBER EXAMPLE: 301-0005 SD CARD SOCKET, SMT, HI-TEMP INSULATOR, GOLD FLASH PLATING. PLEASE VERIFY AVAILABILITY ON OPTIONS PRIOR TO SELECTION.



## > REVISION HISTORY

Revision	Description	Date
1.0	Initial Drawing Release	22.11.13

Revision History provided is for informational purposes only and is believed to be accurate.