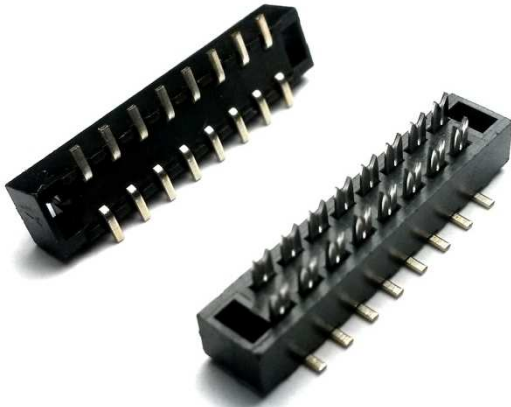


MPSI CONNEX 102-1002 Series 2.00mm Pitch SMT Dual Row IDC Transition Header:

1A, Hi-Temp PA6T UL94V-0, 6 to 80 Positions **Order Code 102-1002-XX** (See > Options)

| www.mpsiconnex.com | sales@mpsiconnex.com |



Images are for Illustrative Purposes Only

102-1002 Series 2.00mm Pitch SMT Dual-Row IDC Transition Header for Fast, Permanent, Direct Mounting of 1.00mm Pitch IDC Ribbon Cables to PCB's.

Vertical SMT PCB Mounting. Rated at 1A.

PA6T (UL94V-0) Hi-Temp Insulator as Standard.

Available Options (See > Options):

Number of Contacts: 6 to 80

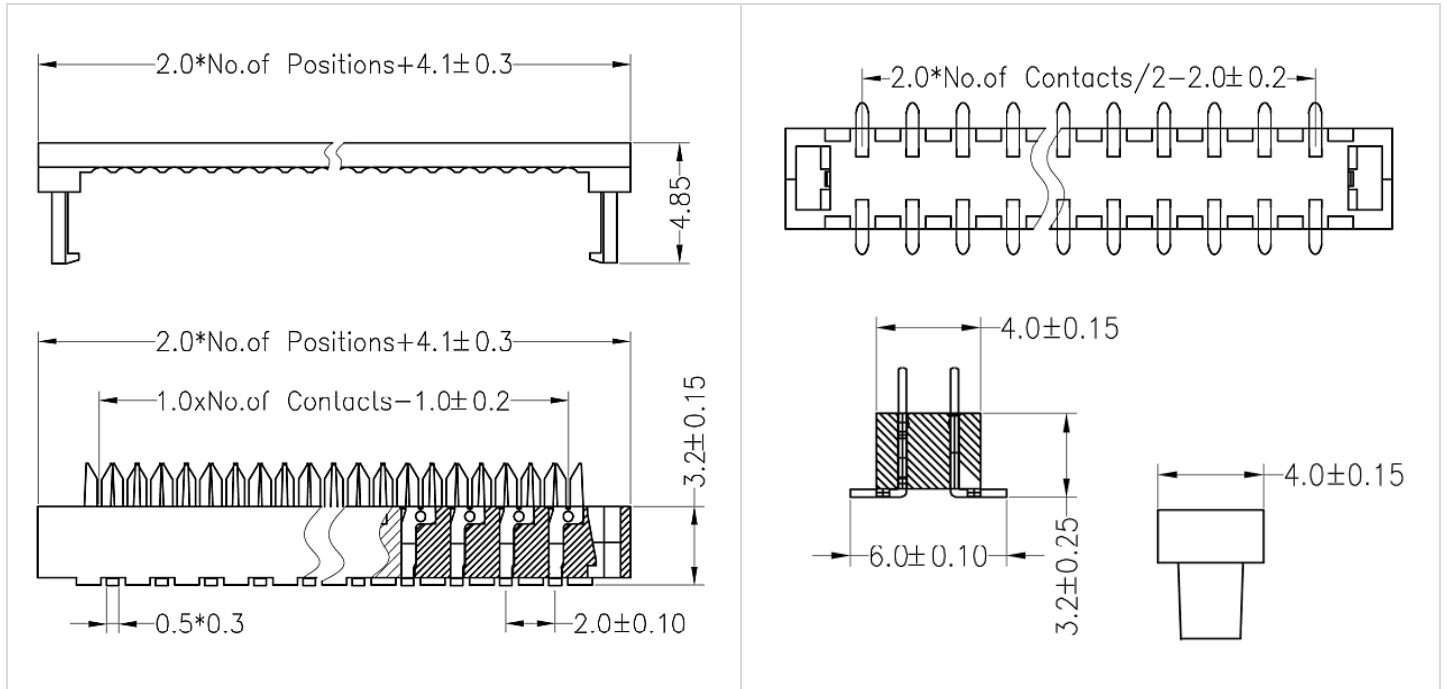
Contact Plating

Insulator Colour

> TECHNICAL SPECIFICATION

| | | |
|----------------------------------|---|-----------------|
| PITCH: | 2.00MM | |
| NUMBER OF ROWS: | 2 | |
| NUMBER OF CONTACTS: | 6 to 80 | (SEE > OPTIONS) |
| MOUNTING TYPE: | PCB SMT | |
| ORIENTATION: | VERTICAL | |
| INSULATOR COLOUR: | BLACK | |
| INSULATOR (PLASTICS): | PA6T UL94V-0 HI-TEMP | |
| INSULATOR COLOUR: | BLACK STANDARD | (SEE > OPTIONS) |
| CONTACT MATERIAL: | BRASS/COPPER ALLOY | |
| CONTACT PLATING: | GOLD FLASH STANDARD | (SEE > OPTIONS) |
| RoHS COMPLIANT: | YES | |
| CURRENT RATING: | 1A | |
| CONTACT RESISTANCE: | 20 mΩ MAX | |
| DIELECTRIC WITHSTANDING VOLTAGE: | 500V AC | |
| INSULATION RESISTANCE: | 5000MΩ | |
| OPERATING TEMPERATURE: | -40°C to +105°C | |
| MAX SOLDERING TEMP: | 230 °C for 30-60 SECS. 260°C for 10 SECS. | |

> PHYSICAL



> OPTIONS

| | |
|---|--|
| NUMBER OF CONTACTS: | -XX SUFFIX DESIGNATES NO. OF CONTACTS |
| CONTACT PLATING: (NO SUFFIX = GOLD FLASH AS STANDARD) | <ul style="list-style-type: none"> -G1 5U" GOLD -G2 10U" GOLD -G3 15U" GOLD -G4 30U" GOLD -SN TIN |
| INSULATOR COLOUR: (NO SUFFIX = BLACK AS STANDARD) | -GR GREY |
| <p>PART NUMBER EXAMPLE: 102-1002-16 = 16 CONTACT (2x8), GOLD FLASH CONTACT PLATING</p> <p>**PLEASE VERIFY AVAILABILITY ON OPTIONS PRIOR TO SELECTION / ORDERING</p> | |



> REVISION HISTORY

| Revision | Description | Date |
|----------|---|------------|
| 1.0 | Initial Drawing Release | 29.09.2016 |
| 2.0 | Revision of Std Plastic Insulator from PBT to PA6T & Temperature Rating | 15.06.2020 |
| 3.0 | Revision of number of Contacts from 04-80 to 06-80 | 26.03.2021 |
| | | |
| | | |

Revision History provided is for informational purposes only and is believed to be accurate.