

MPSI CONNEX 200-7000 Series DC Power Jacks, 2.50mm Centre Pin:

5A, Male, Unshielded, Through-Hole, 180° Vertical, PBT UL94V-0. Order Code 200-7002

| www.mpsiconnex.com |

| sales@mpsiconnex.com |



Images are for Illustrative Purposes Only

200-7002 DC Power Jack, Male Unshielded.

2.50mm Centre Pin Diameter, 5.5mm OD.

180° Vertical TH PCB Mount.

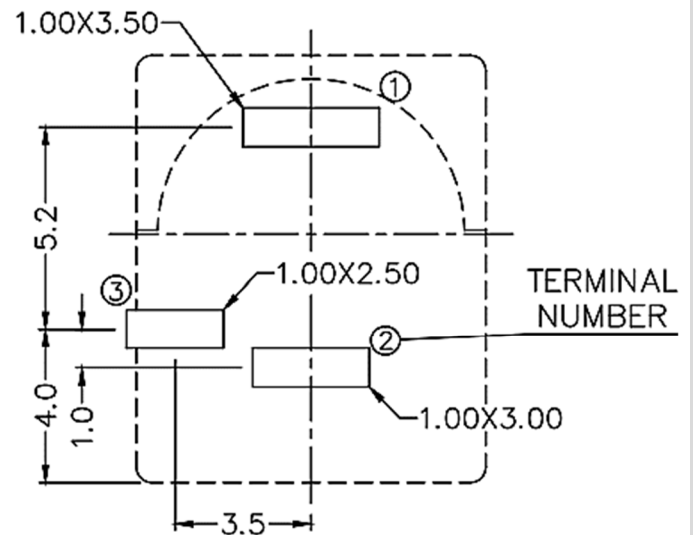
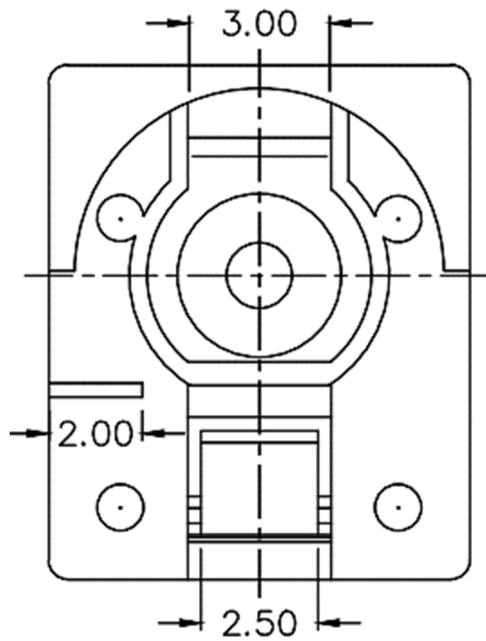
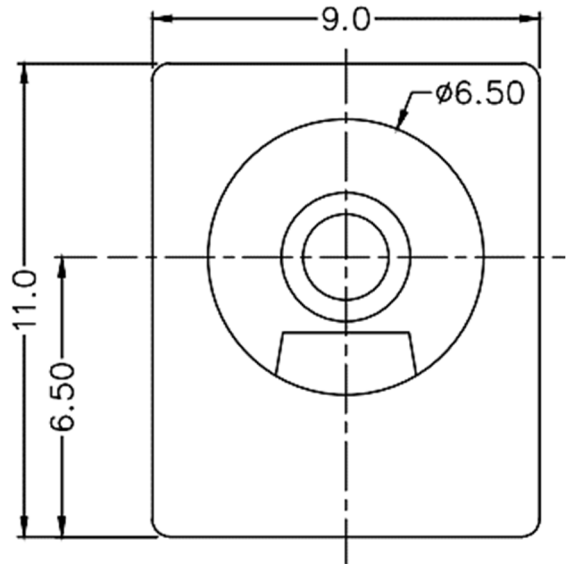
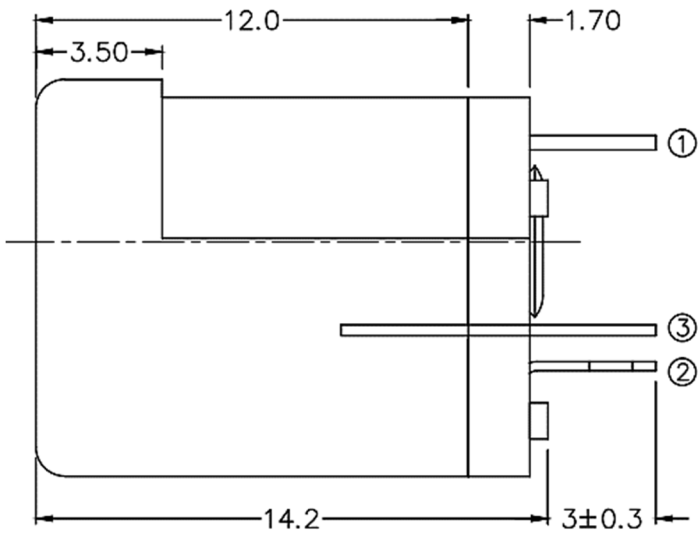
UL94V-0 PBT Black Insulator

5A Current Rating.

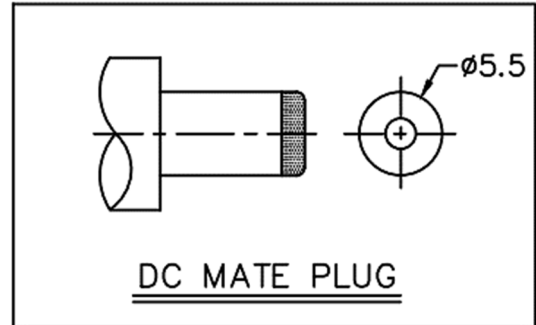
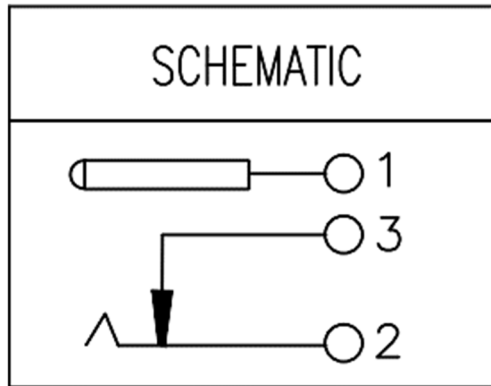
> TECHNICAL SPECIFICATION

PRODUCT TYPE:	DC POWER
GENDER:	MALE JACK
MOUNTING TYPE:	PCB THROUGH-HOLE
ORIENTATION:	VERTICAL 180°
SHIELDING:	UNSHIELDED
CENTRE PIN DIAMETER:	2.50MM
INSULATOR / HOUSING MATERIAL:	BLACK PBT UL94V-0
CONTACT PIN MATERIAL:	COPPER ALLOY
CONTACT PIN PLATING:	NICKEL
PCB TERMINALS (1, 2 & 3) MATERIAL:	COPPER ALLOY
PCB TERMINALS (1, 2 & 3) PLATING:	TIN
RoHS COMPLIANT:	YES
CURRENT RATING:	5A
VOLTAGE RATING:	48V
CONTACT RESISTANCE:	30 mΩ MAX
DIELECTRIC WITHSTANDING VOLTAGE:	500V AC 1 MIN
INSULATION RESISTANCE:	100MΩ at 500V DC
INSERTION FORCE:	0.3 – 3.0 KGF
WITHDRAWAL FORCE:	0.3 – 3.0 KGF
DURABILITY:	5000 CYCLES

> PHYSICAL



T:1.6 Dimensions of PC board holes
Tolerance : ± 0.05 (Printed-Bottom view)





> REVISION HISTORY

Revision	Description	Date
1.0	Initial Drawing Release	14.07.2021

Revision History provided is for informational purposes only and is believed to be accurate.