

MPSI CONNEX IEC320 ADAPTORS, 700 Series:

Order Code 700-0000 – IEC C14 Male to C13 Female Adaptor, 90° Up Angle.

www.mpsiconnex.com

sales@mpsiconnex.com



IEC320 C14 Male to C13 Female Adaptor

90° Right Angle / Up Angle Orientation

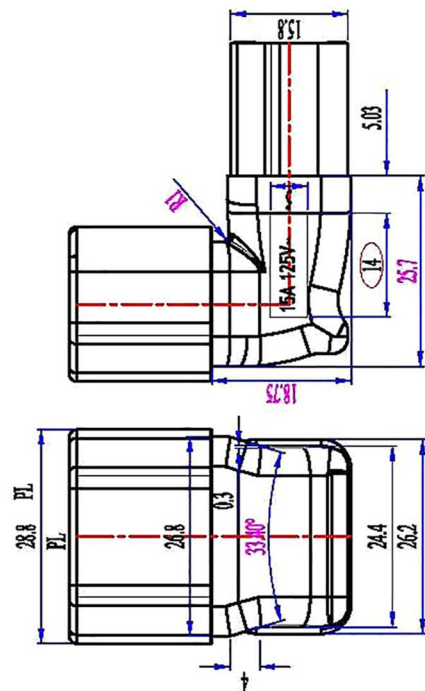
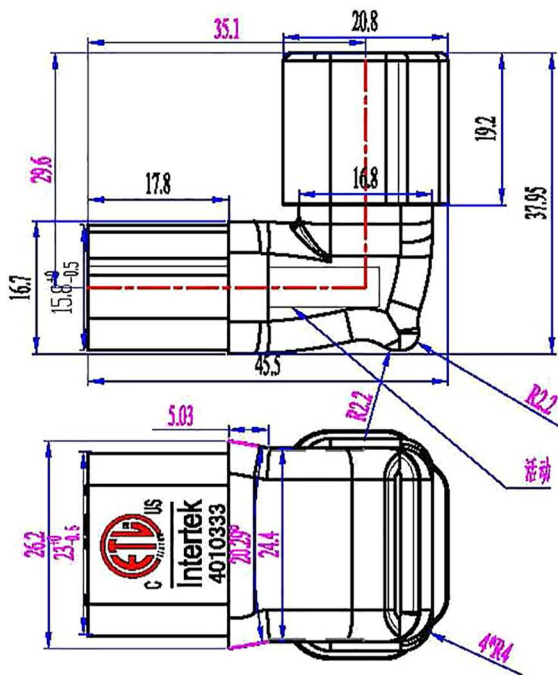
Rated @ 15A 125V and 15A 250V

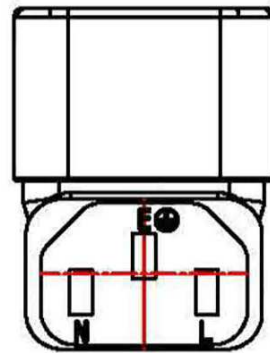
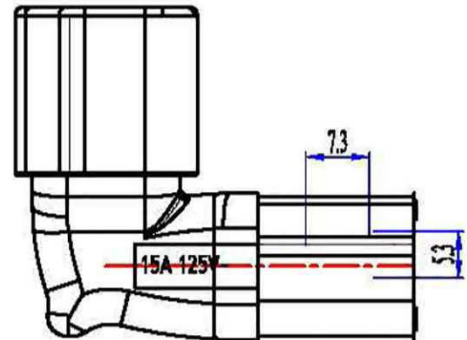
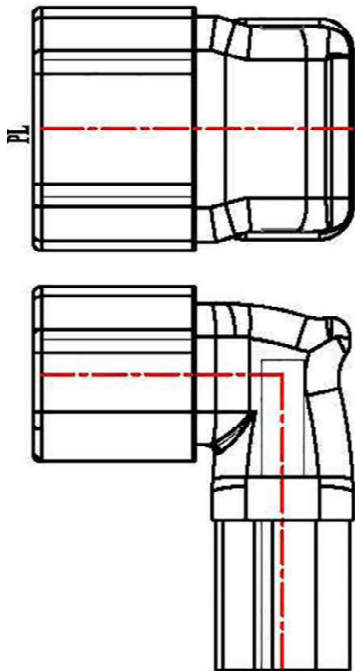
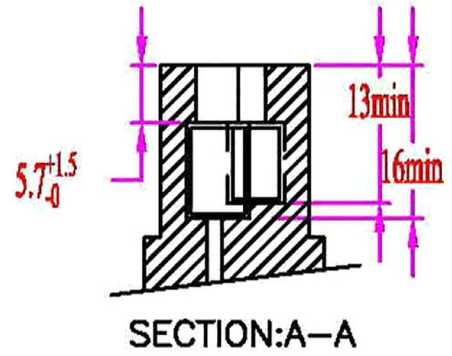
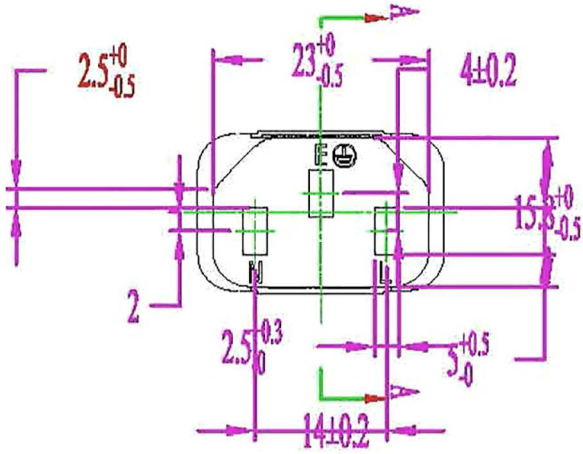
Moulded Black PVC

CE, ROHS & REACH compliant

Converts Standard C13 Plugs to Right Angled

> PHYSICAL







> REVISION HISTORY

Revision	Description	Date
1.0	Initial Drawing Release	20.09.2021

Revision History provided is for informational purposes only and is believed to be accurate.