

**MPSI 500-4000 RJ50 Series - 10P10C Modular Jack, Side Entry 90° PCB TH Mount:
1.5A, PBT UL94V-0, 1 x 1 Port. Order Code 500-4001-X-XX (See > Options)**

| www.mpsiconnex.com | sales@mpsiconnex.com |



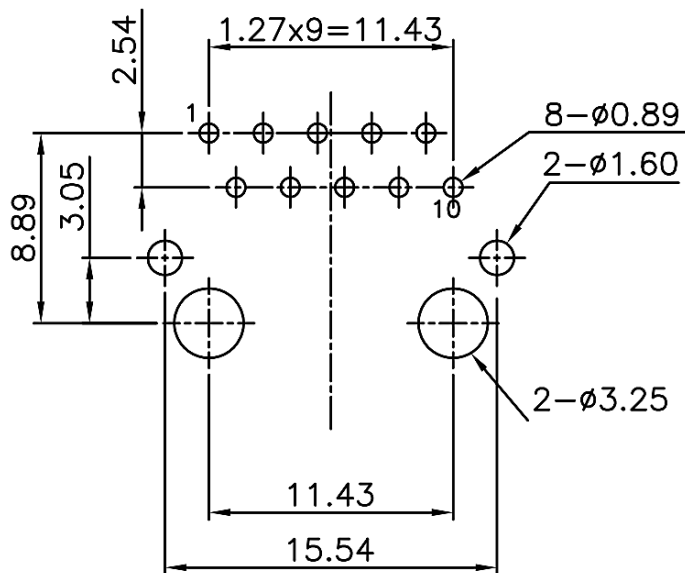
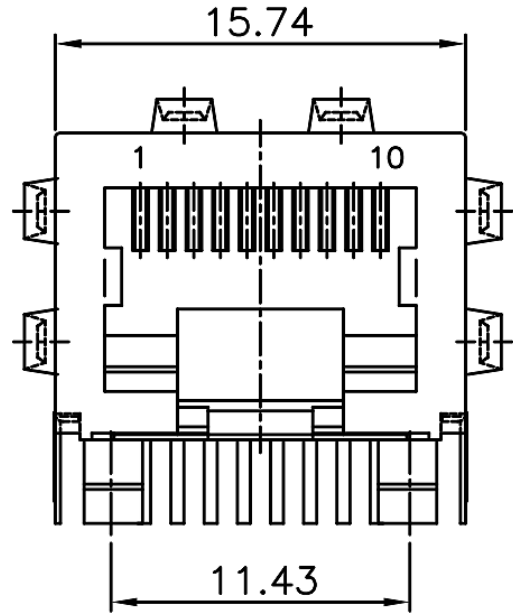
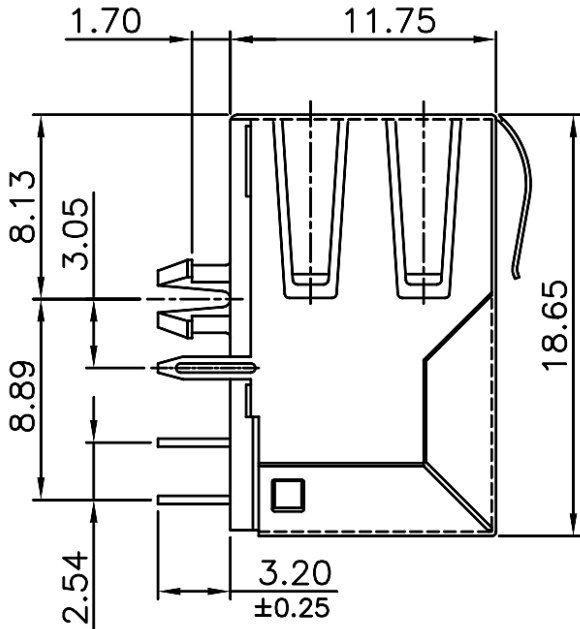
Images are for Illustrative Purposes Only

500-4000 RJ50 Series of PCB Mount Modular Jacks.
RJ50 10P10C Modular Jack, Side Entry 90°.
PCB Through-Hole Mounting. EMI Fingers
Rated at 1.5A, with Standard UL94V-0 (PBT) Insulator.
Available Options (*See > Options*):
Shielded / Unshielded Options.
Contact Plating (Micron μ in) Thickness.

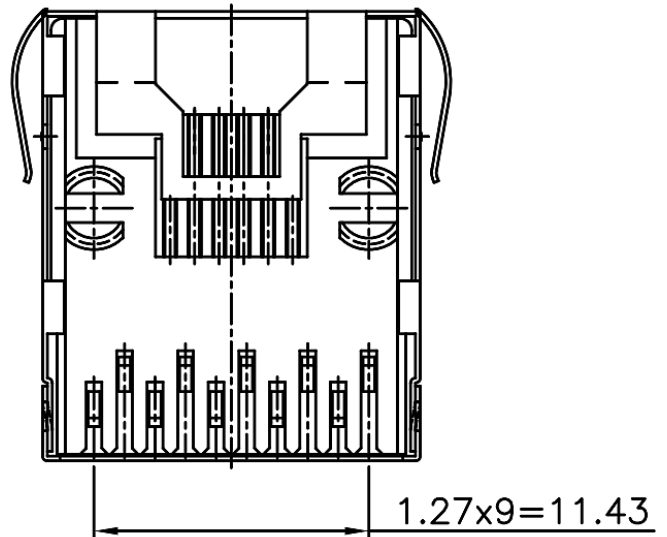
> TECHNICAL SPECIFICATION

PORT CONFIGURATION:	1 x 1 PORTS
POSITION/CONTACT:	10P10C
MOUNTING TYPE:	PCB THROUGH-HOLE
ORIENTATION:	90°
INSULATOR COLOUR:	BLACK
INSULATION (PLASTICS):	PBT UL94V-0 STANDARD
CONTACT MATERIAL:	PHOSPHOR BRONZE T = 0.35mm
CONTACT PLATING:	GOLD FLASH STANDARD (SEE > OPTIONS)
SHIELD MATERIAL:	COPPER ALLOY/BRASS T = 0.25mm
SHIELD PLATING:	NICKEL PLATING
RoHS COMPLIANT:	YES
CURRENT RATING:	1.5A
VOLTAGE RATING:	125 VAC RMS
CONTACT RESISTANCE:	30 m Ω MAX
DIELECTRIC WITHSTANDING VOLTAGE:	1000V AC RMS 50Hz or 60Hz 1 MIN
INSULATION RESISTANCE:	500M Ω MIN @ 500V DC
OPERATING TEMPERATURE:	-40°C to +85°C
MATING/UNMATING FORCE:	2.2kgF MAX
RETENTION FORCE:	7.7kgF BETWEEN JACK & PLUG
DURABILITY:	750 MATING CYCLES MINIMUM

> PHYSICAL



PCB LAYOUT/TOP VIEW





> OPTIONS

SHIELDING: (UNSHIELDED AS STD NO SUFFIX)	-S SHIELDED
CONTACT PLATING: (GOLD FLASH STD NO SUFFIX)	-G1 3U" GOLD -G2 6U" GOLD -G3 15U" GOLD -G4 30U" GOLD -G5 50U" GOLD

PART NUMBER EXAMPLE: 500-4001-S-G4 = SHIELDED, 30U" MICRON (μ in) CONTACT PLATING
PLEASE VERIFY AVAILABILITY ON OPTIONS PRIOR TO SELECTION / ORDERING



> REVISION HISTORY

Revision	Description	Date
1.0	Initial Drawing Release	19.12.2019

Revision History provided is for informational purposes only and is believed to be accurate.