

MPSI CONNEX USB Type C Connectors, 607 Series:

Order Code 607-0003 – Type C Recept, Vertical 180°, Dual Row SMT, 24 Pin, 5A, UL94V-0 Black Insulator

| www.mpsiconnex.com |

| sales@mpsiconnex.com |



Images are for Illustrative Purposes Only

USB Type C, Vertical Mount 180°, 10.5mm Body Height, Dual Row SMT, 24P Receptacle, TH Hold Downs.

Gold 30 (“U”) Micron Plated Contacts. 5A Current Rating.

Nickel Plated Stainless Steel Shell. Black LCP Hi-Temp Insulator. Supplied in Tape & Reel Packaging as Std. Black LCP (UL94V-0) SMT Pick & Place Cap.

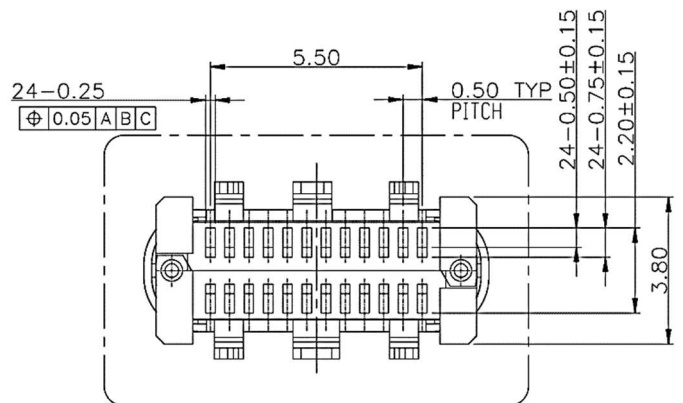
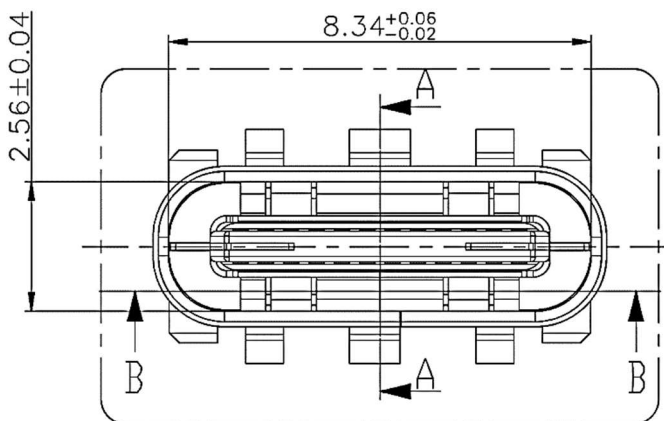
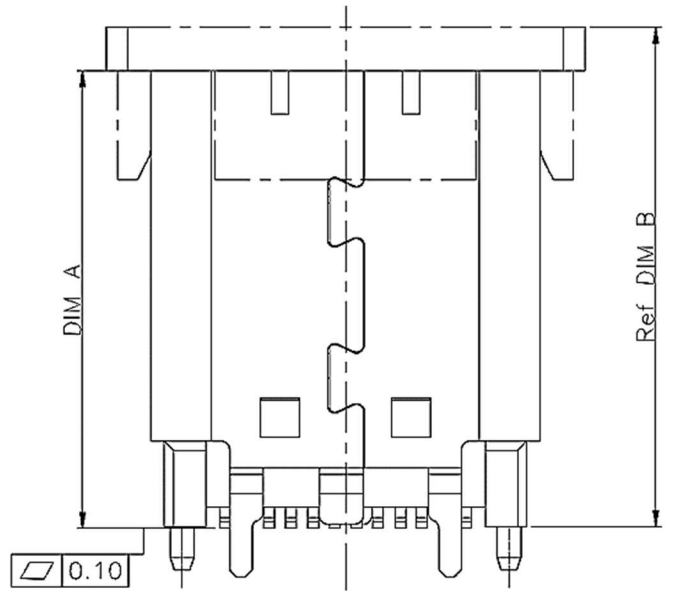
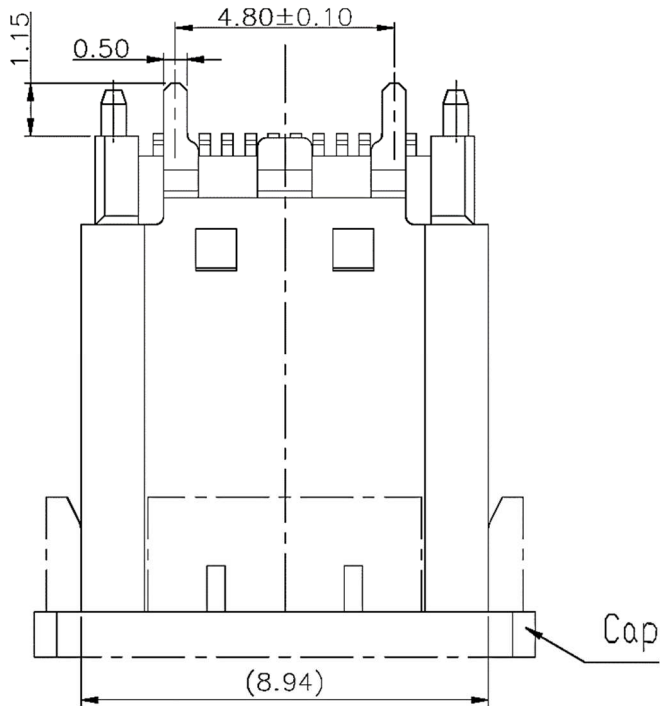
Available Options (*SEE > OPTIONS*):

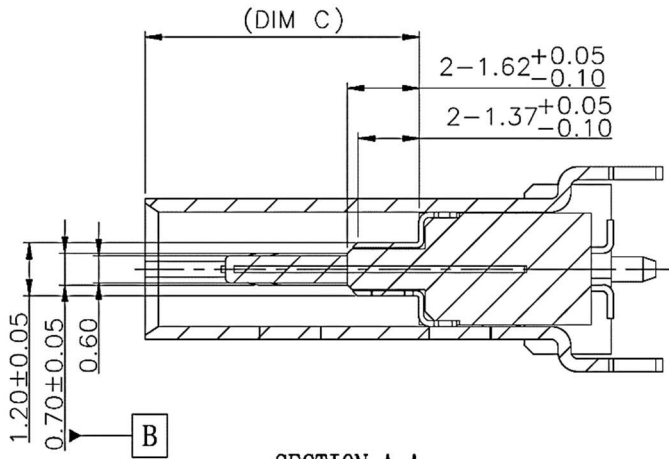
Body Height (Dim A)
Contact Plating
Packaging

> TECHNICAL SPECIFICATION

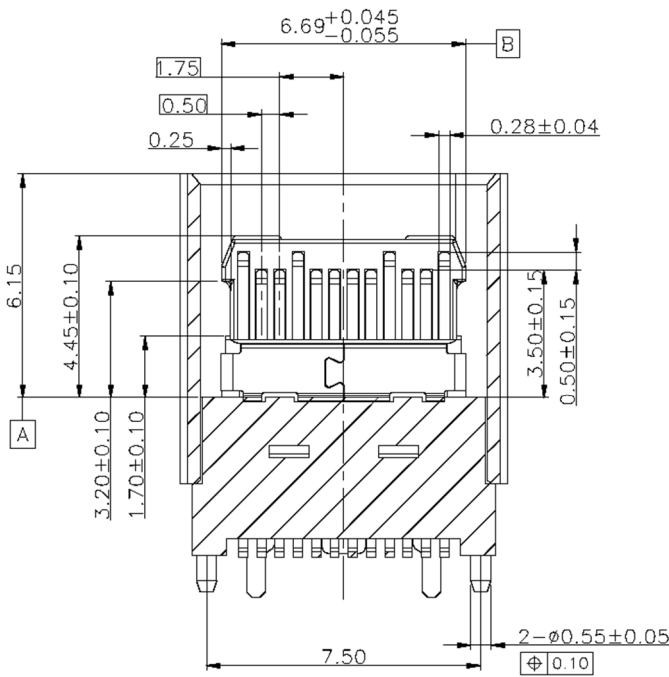
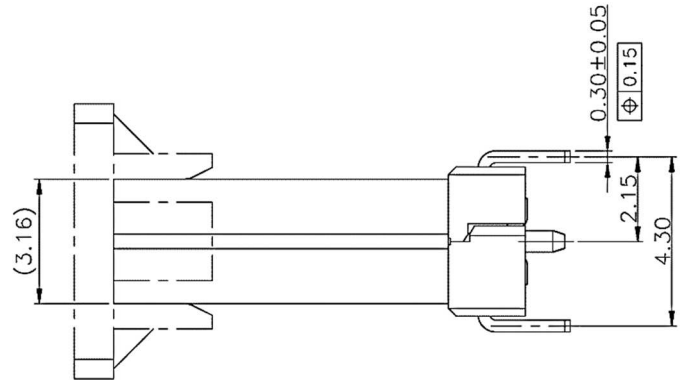
NUMBER OF PORTS:	SINGLE
CONNECTOR TYPE:	USB 3.1 TYPE C RECEPTACLE
MOUNTING TYPE:	PCB SMT
ORIENTATION:	VERTICAL, 10.5MM HEIGHT STD (<i>SEE > OPTIONS</i>)
INSULATION:	BLACK LCP UL94V-0 (HI TEMP)
CONTACT MATERIAL:	COPPER ALLOY
CONTACT PLATING:	GOLD 30 (“U”) MICRON OVER NICKEL 50 “U” MIN
SHELL MATERIAL & PLATING:	STAINLESS STEEL, NICKEL PLATED 50”U” MIN
SHIELDING PLATE & PLATING:	STAINLESS STEEL, NICKEL PLATED 50”U” MIN
RoHS COMPLIANT:	EU RoHS 2011/65/EU and EU 2015/863
CURRENT RATING:	5A VBUS, 1.25A GND PIN, 0.25A OTHER
VOLTAGE RATING:	20V DC
POWER RATING:	100W
CONTACT RESISTANCE:	40 mΩ MAX
DIELECTRIC WITHSTANDING VOLTAGE:	100V AC 1 MIN
INSULATION RESISTANCE:	100MΩ
OPERATING TEMPERATURE:	-55°C to +85°C
MATING FORCE (MAX):	5-20N
UNMATING FORCE (MIN):	8-20N
DURABILITY:	10000 MATING CYCLES

> PHYSICAL

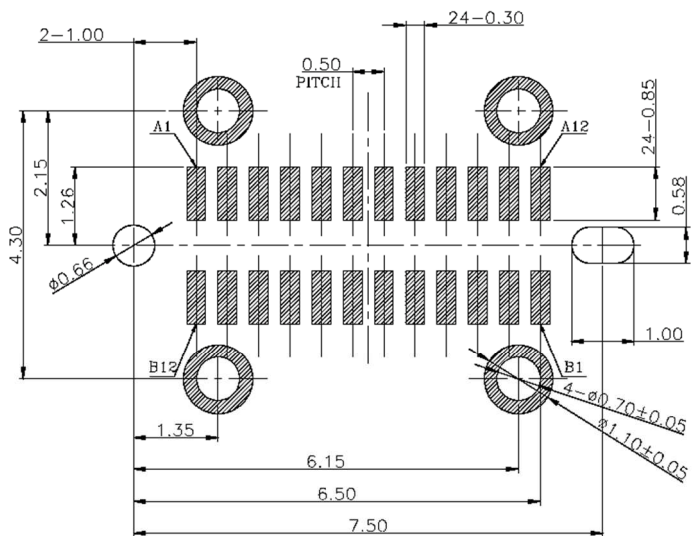




SECTION A-A
SCALE 1:1

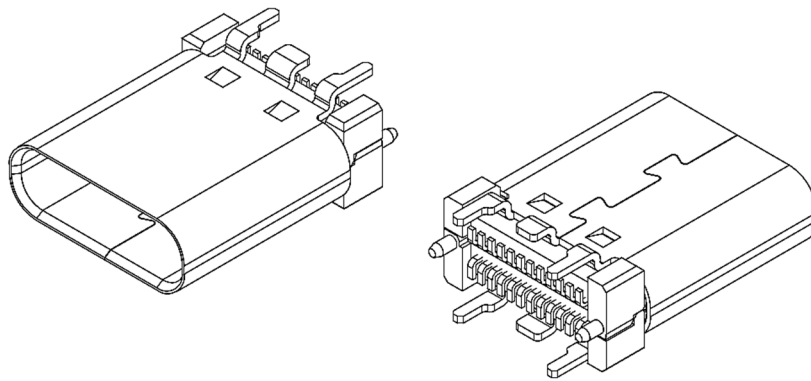


SECTION B-B
SCALE 1:1



RECOMMENDED P.C.B. LAYOUT (T:1.00mm)
TOLERANCE UNSPECIFIED ±0.05mm
SCALE: 2:1

B12	B11	B10	B9	B8	B7	B6	B5	B4	B3	B2	B1
GND	RX1+	RX1-	Vbus	SBU2	D-	D+	CC2	Vbus	TX2-	TX2+	GND
GND	TX1+	TX1-	Vbus	CC1	D+	D-	SBU1	Vbus	RX2-	RX2+	GND
A1	A2	A3	A4	A5	A6	A7	A8	A9	A10	A11	A12



> OPTIONS

BODY HEIGHT: (10.5MM HEIGHT AS STANDARD)	-93 9.3MM HEIGHT -88 8.8MM HEIGHT
CONTACT PLATING: (GOLD FLASH OVER NICKEL STANDARD NO SUFFIX)	-G1 5U" GOLD -G2 15U" GOLD -G3 30U" GOLD
PACKAGING: (TAPE & REEL AS STANDARD NO SUFFIX)	-1 TRAY -2 TUBE
PART NO. EXAMPLE: 607-0003-93-G3 = 9.3MM HEIGHT, C/ALLOY SHELL, 30U" GOLD CONTACT PLATING, HI-TEMP LCP BLACK UL94V-0 INSULATOR. T&R PKG. PLEASE VERIFY AVAILABILITY PRIOR TO SELECTION.	



> REVISION HISTORY

Revision	Description	Date
1.0	Initial Drawing Release	22.12.2021

Revision History provided is for informational purposes only and is believed to be accurate.