

MPSI CONNEX USB 3.1 Type C Connectors, 607 Series:

Part 607-0009 – USB 3.1 Type C Recpt, 90° Top-Mount, Dual SMT, 24 Pin, 5A, UL94V-0 Black Insulator

| www.mpsiconnex.com |

| sales@mpsiconnex.com |



Images are for Illustrative Purposes Only

USB 3.1 Type C, 24 Pin Receptacle. 5A Rated.

PCB Top Mount, Dual Row SMT, 90°. 5 Gbps Data.

Gold (1 Micron) Plated Contacts (*See > Options*)

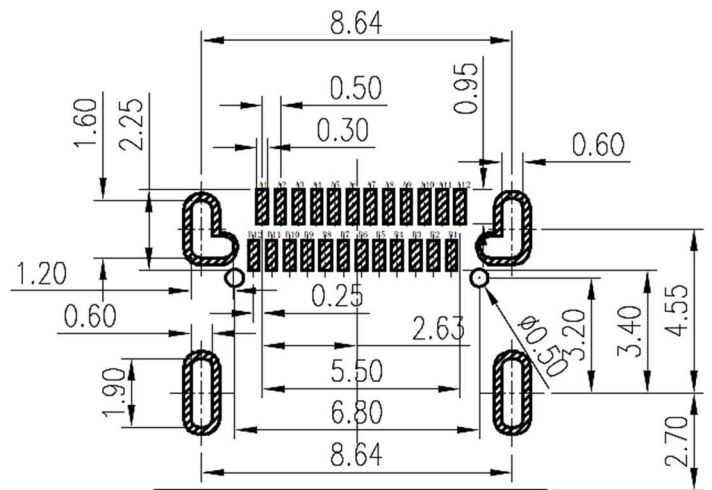
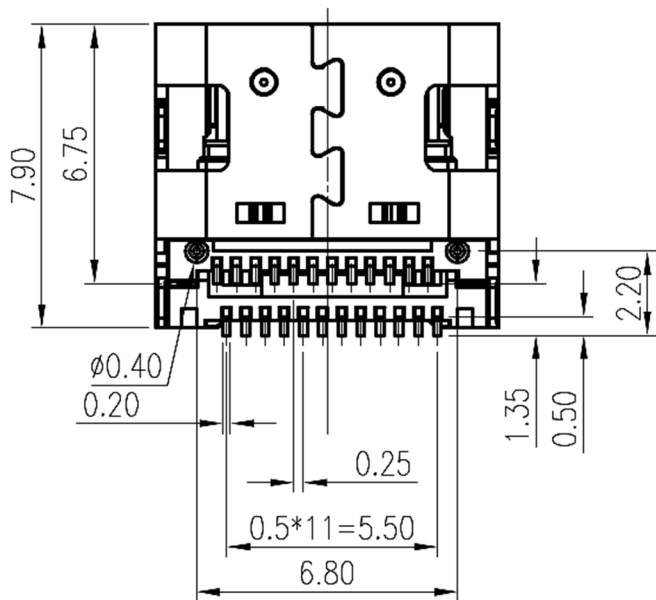
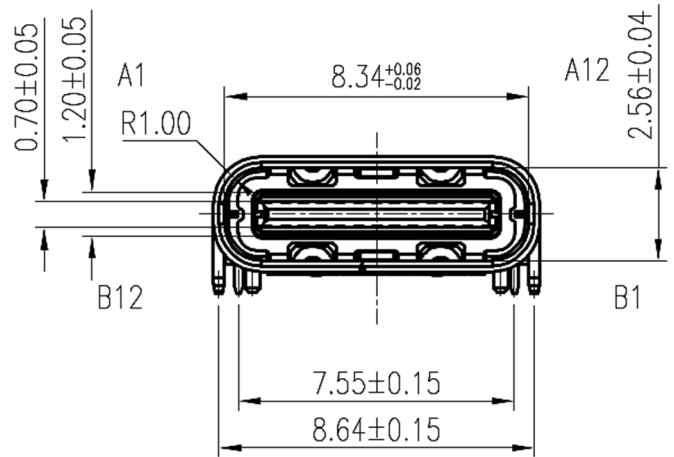
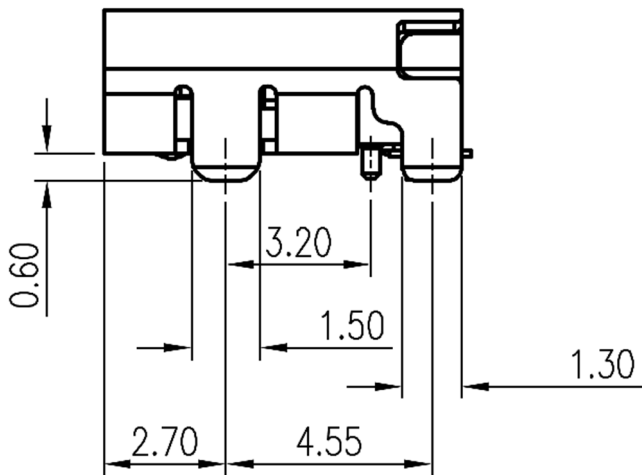
Nickel Plated Stainless Steel Shell with Standoffs.
Black LCP UL94V-0 Hi-Temp Insulator.

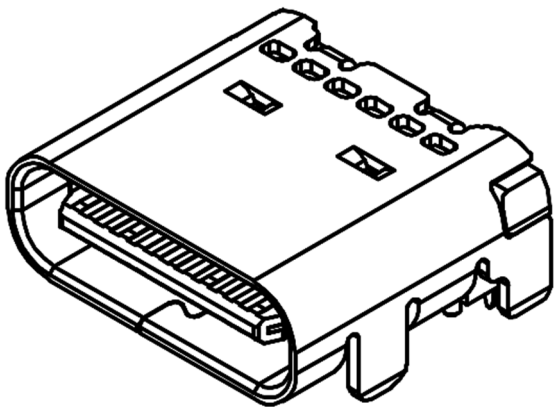
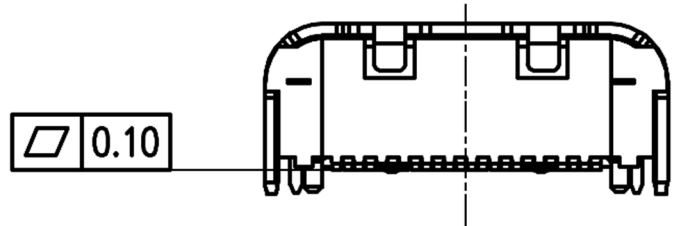
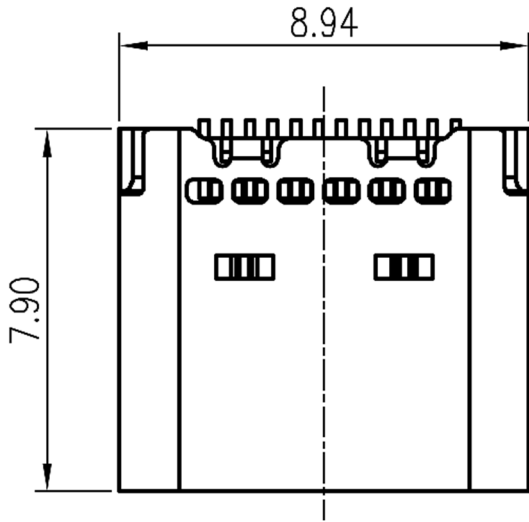
Tape & Reel (& Cut Tape) Packaging.

> TECHNICAL SPECIFICATION

NUMBER OF PORTS:	SINGLE
CONNECTOR TYPE:	USB 3.1 TYPE C RECEPTACLE 24P
MOUNTING TYPE:	PCB DUAL ROW SMT TOP MOUNT (STANDOFFS)
ORIENTATION:	HORIZONTAL 90°
INSULATION (PLASTICS):	BLACK LCP UL94V-0 (HI TEMP)
CONTACT MATERIAL:	COPPER ALLOY
CONTACT PLATING:	STD 1 MICRON (u") GOLD OVER NICKEL (<i>See > Options</i>)
SHELL MATERIAL:	STAINLESS STEEL
SHELL PLATING:	NICKEL
SHIELDING PLATE:	STAINLESS STEEL
MID-PLATE:	NICKEL
EMI PAD:	NICKEL
RoHS COMPLIANT:	EU RoHS 2011/65/EU and EU 2015/863
CURRENT RATING:	5A VBUS, 1.25A VCONN PIN, 0.25A OTHER
VOLTAGE RATING:	20V DC
POWER RATING:	100W
CONTACT RESISTANCE:	30 mΩ MAX
DIELECTRIC WITHSTANDING VOLTAGE:	100V AC
INSULATION RESISTANCE:	100MΩ
OPERATING TEMPERATURE:	-40°C to +85°C
MATING FORCE (MAX):	5-20N
UNMATING FORCE (MIN):	8-20N
DURABILITY:	10000 MATING CYCLES

> PHYSICAL





A1	GND	B12	GND
A2	SSTXP1	B11	SSRXP1
A3	SSTXN1	B10	SSRXN1
A4	VBUS	B9	VBUS
A5	CC1	B8	SBU2
A6	DP1	B7	DN2
A7	DN1	B6	DP2
A8	SBU1	B5	CC2
A9	VBUS	B4	VBUS
A10	SSRXN2	B3	SSTXN2
A11	SSRXP2	B2	SSTXP2
A12	GND	B1	GND
PIN	SIGNAL NAMF	PIN	SIGNAL NAM



> OPTIONS

CONTACT PLATING: (GOLD FLASH OVER NICKEL STANDARD NO SUFFIX)	-3 3U" GOLD -6 6U" GOLD -15 15U" GOLD -30 30U" GOLD -50 50U" GOLD
---	---

PART NO. EXAMPLE: 607-0009-30 = C/ALLOY SHELL, 30U" GOLD CONTACT PLATING, HI-TEMP LCP BLACK UL94V-0 INSULATOR. T&R PKG. PLEASE VERIFY AVAILABILITY PRIOR TO SELECTION.



> REVISION HISTORY

Revision	Description	Date
1.0	Initial Drawing Release	24.08.2016
2.0	New Release of technical drawing. Voltage Rating information revised.	11.09.2019
3.0	Part Manufacture Switched to New Facility.	27.05.2022

Revision History provided is for informational purposes only and is believed to be accurate.