

MPSI CONNEX USB Type C Connectors, 607 Series:

Part 607-0005 – USB 3.1 Type C Recept, 90°, Mid Mount SMT, 24 Pin, 5A, UL94V-0 Black Insulator

| www.mpsiconnex.com |

| sales@mpsiconnex.com |



Images are for Illustrative Purposes Only

USB 3.1 Type C, 24P Receptable, 5A Rated.

PCB Mid Mount 90° Dual SMT. 5 Gbps Data.

Gold 1 (“U”) Micron Plated Contacts.

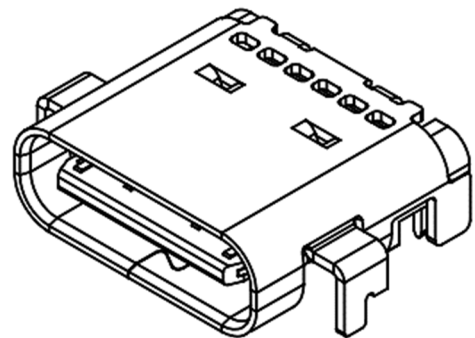
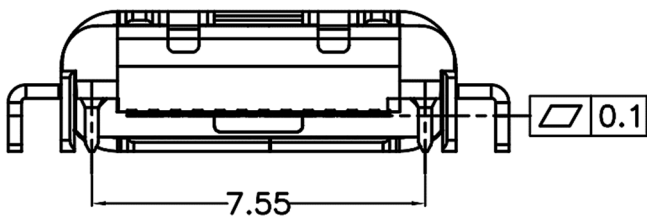
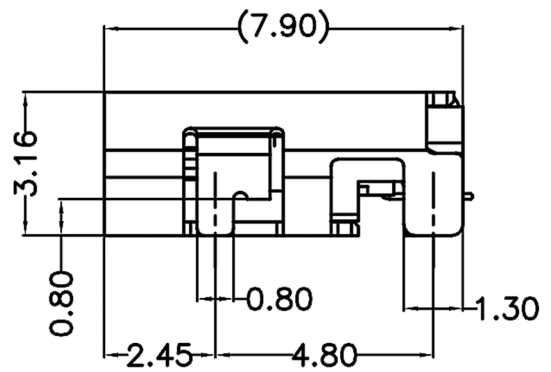
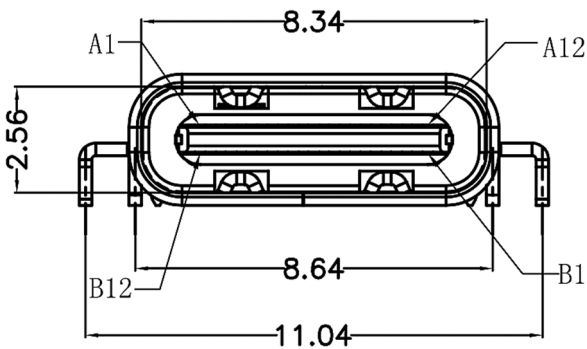
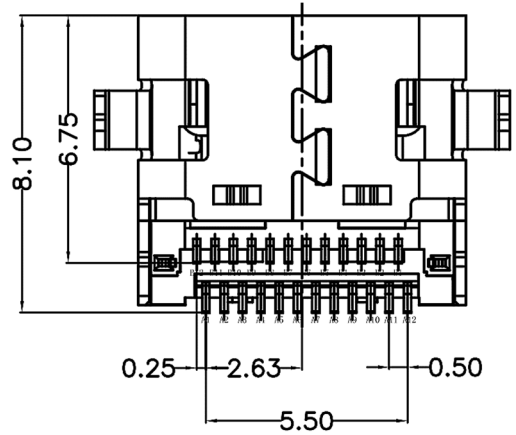
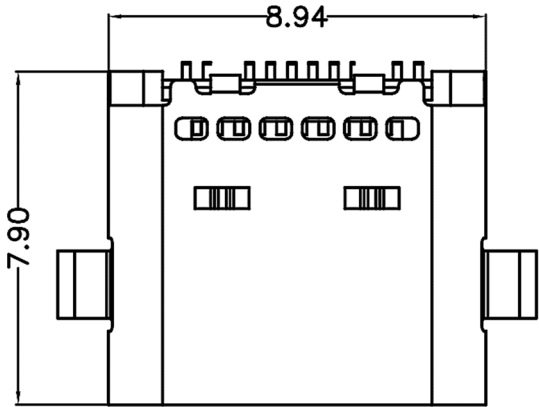
Nickel Plated Stainless Steel Shell.
Black LCP Hi-Temp Insulator.

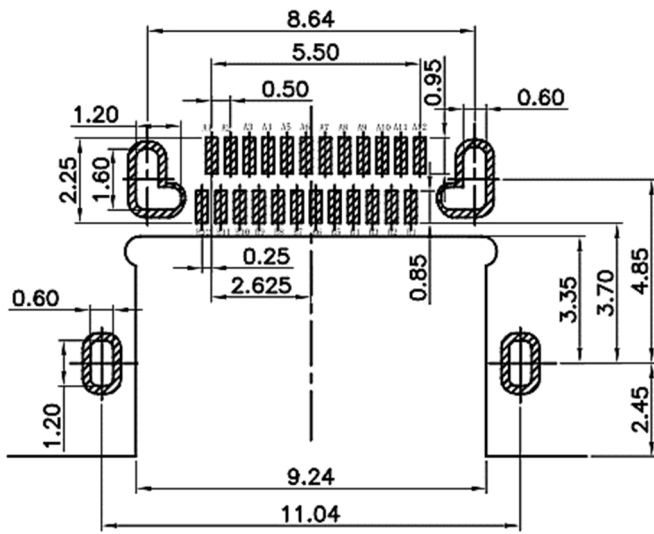
Supplied in Tape & Reel Packaging.

> TECHNICAL SPECIFICATION

NUMBER OF PORTS:	SINGLE
CONNECTOR TYPE:	USB 3.1 TYPE C RECEPTACLE
MOUNTING TYPE:	PCB DUAL ROW SMT MID MOUNT
ORIENTATION:	HORIZONTAL 90° RIGHT ANGLE
INSULATION:	BLACK LCP UL94V-0 (HI TEMP)
CONTACT MATERIAL:	COPPER ALLOY
CONTACT PLATING:	GOLD 1 (“U”) MICRON OVER NICKEL 50 “U” MIN
SHELL MATERIAL & PLATING:	STAINLESS STEEL, NICKEL PLATED 50”U” MIN
INNER GROUND COVER SHELL:	STAINLESS STEEL
MID PLATE:	STAINLESS STEEL
RoHS COMPLIANT:	EU RoHS 2011/65/EU and EU 2015/863
CURRENT RATING:	5A VBUS, 1.25A VCONN PIN, 0.25A OTHER
VOLTAGE RATING:	20V DC
POWER RATING:	100W
CONTACT RESISTANCE:	30 mΩ MAX
DIELECTRIC WITHSTANDING VOLTAGE:	100V AC 1 MIN
INSULATION RESISTANCE:	100MΩ
OPERATING TEMPERATURE:	-40°C to +85°C
MATING FORCE (MAX):	5-20N
UNMATING FORCE (MIN):	8-20N
DURABILITY:	10000 MATING CYCLES

> PHYSICAL





RECOMMENDED P.C.B. LAYOUT
TOLERANCE UNSPECIFIED $\pm 0.05\text{mm}$

A1	GND	B12	GND
A2	SSTXP1	B11	SSRXP1
A3	SSTXN1	B10	SSRXN1
A4	VBUS	B9	VBUS
A5	CC1	B8	SBU2
A6	DP1	B7	DN2
A7	DN1	B6	DP2
A8	SBU1	B5	CC2
A9	VBUS	B4	VBUS
A10	SSRXN2	B3	SSTXN2
A11	SSRXP2	B2	SSTXP2
A12	GND	B1	GND
PIN	SIGNAL NAME	PIN	SIGNAL NAME



> REVISION HISTORY

Revision	Description	Date
1.0	Initial Drawing Release	12.07.2022

Revision History provided is for informational purposes only and is believed to be accurate.