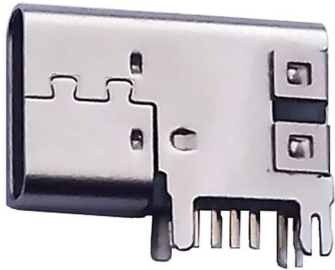


## MPSI CONNEX USB Type C Connectors, 607 Series:

Order Code 607-0012 – Type C USB 2.0 Recept, 90° ‘Flag’ Style, TH, 14 Pin, 5A, UL94V-0 Black Insulator

| [www.mpsiconnex.com](http://www.mpsiconnex.com) | [sales@mpsiconnex.com](mailto:sales@mpsiconnex.com) |



Images are for Illustrative Purposes Only

USB Type C with USB 2.0 Data Speeds / Mode of Operation.

Charging Connector with 14 pin configuration for charging and docking applications with full USB 2.0 capabilities. 5A Rated.

Top Mount, Through-Hole, 90° ‘Flag’ Style PCB Mount Receptacle.

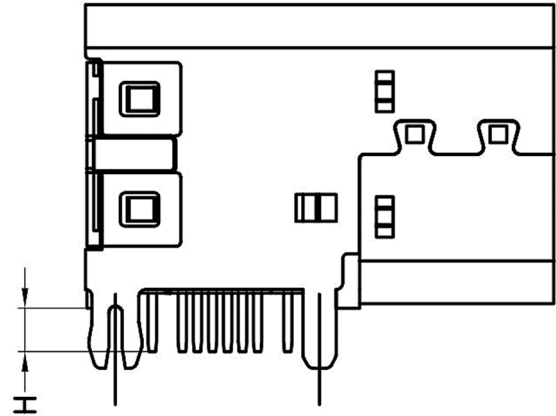
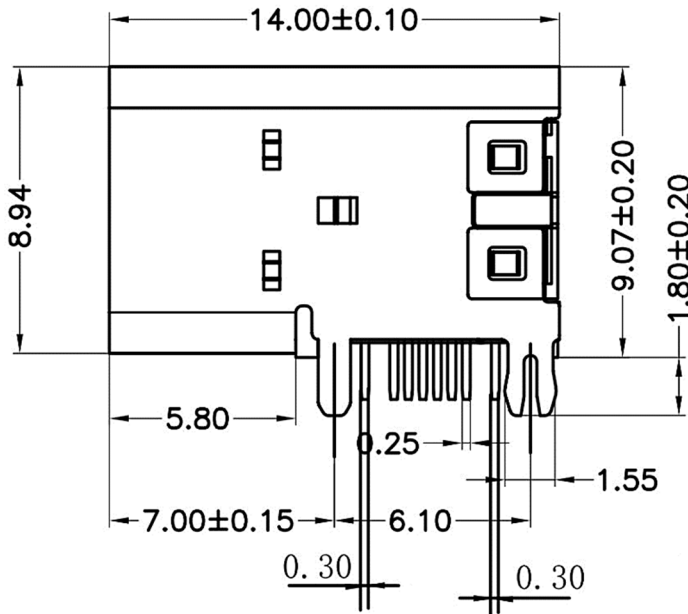
Gold (1 Micron) Plated Contacts (*See > Options*)  
Pin Lengths of 1.3mm, 1.6mm and 2.00mm (*See > Options*)  
Tin Plated Solder Tails and Nickel Plated Stainless Steel Shell.  
Black LCP & 30% Glass Fibre Hi-Temp Insulator.

Supplied in Tray Packaging Standard. Please enquire for other options.

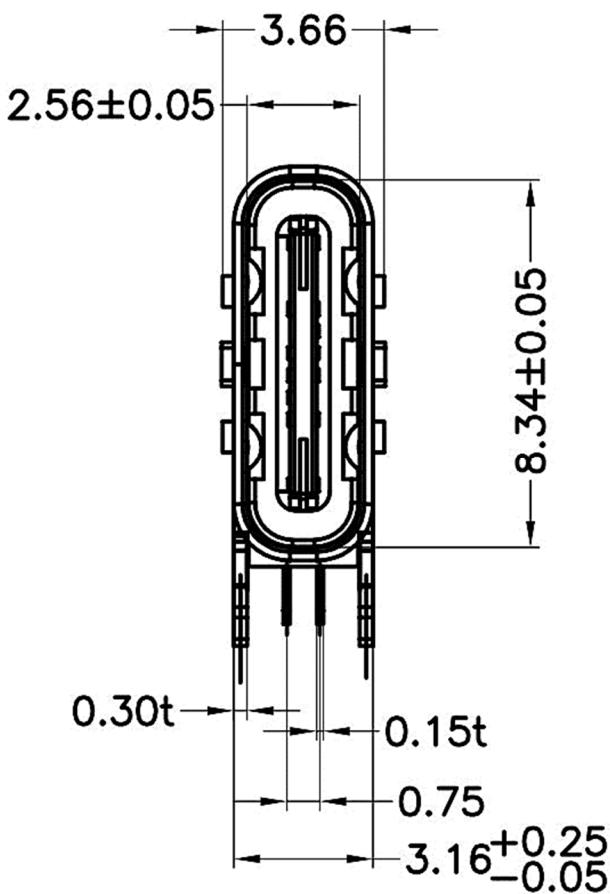
### > TECHNICAL SPECIFICATION

NUMBER OF PORTS:	SINGLE
CONNECTOR TYPE:	USB 2.0 TYPE C RECEPTACLE
MOUNTING TYPE:	PCB THROUGH-HOLE
ORIENTATION:	HORIZONTAL 90° ‘FLAG’ STYLE
INSULATION (PLASTICS):	BLACK LCP & 30% G/F UL94V-0 (HI TEMP)
CONTACT MATERIAL:	COPPER ALLOY
CONTACT PLATING:	STD 1 MICRON (u”) GOLD OVER NICKEL ( <i>See &gt; Options</i> )
SHELL MATERIAL:	STAINLESS STEEL
SHELL PLATING:	NICKEL
SHIELDING PLATE:	STAINLESS STEEL
SOLDER TAILS:	TIN
RoHS COMPLIANT:	EU RoHS 2011/65/EU and EU 2015/863
CURRENT RATING:	5A VBUS, 1.25 GND PIN, 0.25A OTHER
VOLTAGE RATING:	20V DC
CONTACT RESISTANCE:	40 mΩ MAX
DIELECTRIC WITHSTANDING VOLTAGE:	100V AC
INSULATION RESISTANCE:	100MΩ
OPERATING TEMPERATURE:	-25°C to +85°C
MATING FORCE (MAX):	5-20N
UNMATING FORCE (MIN):	8-20N
DURABILITY:	10000 MATING CYCLES

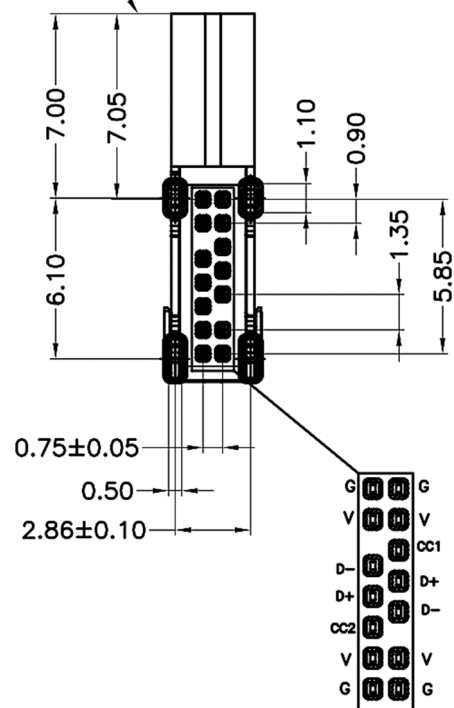
## > PHYSICAL



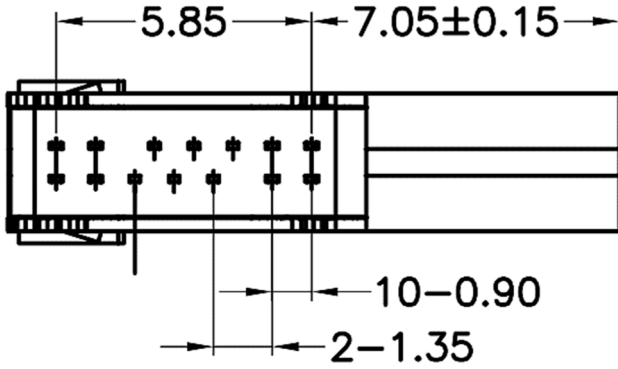
H	1.3mm
	1.6mm
	2.0mm



PCB EDGE



RECOMMENDED P.C.B. LAYOUT  
TOLERANCE UNSPECIFIED  $\pm 0.05\text{mm}$



A 1	GND	B 12	GND
A 4	VBUS	B 9	VBUS
A 5	CC1	B 7	DN2
A 6	DP1	B 6	DP2
A 7	DN1	B 5	CC2
A 9	VBUS	B 4	VBUS
A 12	GND	B 1	GND
PIN	SIGNAL NAME	PIN	SIGNAL NAME

## > OPTIONS

CONTACT PLATING:  
(GOLD FLASH PLATING 1 MICRON  
(u") AS STANDARD, NO SUFFIX)

PART NUMBER 607-0012-XX = CONTACT GOLD PLATING THICKNESS  
OPTIONS AVAILABLE UPON REQUEST

CONNECTOR PIN LENGTH:  
(1.6MM STANDARD, NO SUFFIX)

-P13 = 1.3MM PIN LENGTH  
-P2 = 2.0MM PIN LENGTH

PART NUMBER EXAMPLE: 607-0012 = BLACK LCP + 30 G/F HI-TEMP INSULATOR, GOLD FLASH PLATING,  
1.6MM PIN LENGTH. PLEASE VERIFY AVAILABILITY ON OPTIONS PRIOR TO SELECTION / ORDERING

## > REVISION HISTORY

Revision	Description	Date
1.0	Initial Drawing Release	16.05.2019
2.0	Factory Modification, Revised Drawing Release	19.12.2019
3.0	Added Dimension to Front PCB Mount Tab/Hold-Down	10.01.2020
4.0	Add Outer Pin Dim, Pin Length Options & Standardised Data Format	22.09.2020

Revision History provided is for informational purposes only and is believed to be accurate.