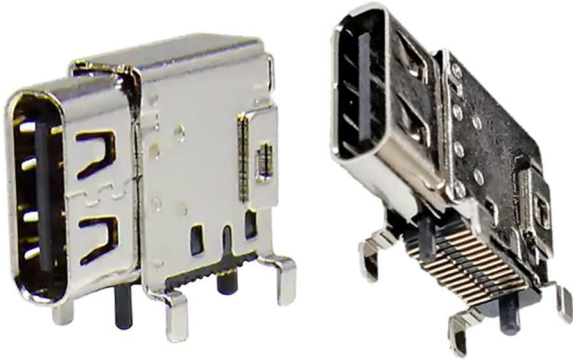


## MPSI CONNEX USB Type C Connectors, 607 Series:

Order Code 607-0013 – Type C Gen 2 Recept, 90° 'Flag' Style, SMT, 24 Pin, 5A, Black LCP Insulator

| [www.mpsiconnex.com](http://www.mpsiconnex.com) |

| [sales@mpsiconnex.com](mailto:sales@mpsiconnex.com) |



Images are for Illustrative Purposes Only

USB Type C Gen 2, 24 Pin Receptacle. 5A Rated.

PCB Top Mount, SMT, 90° 'Flag' Style.

Gold (1 Micron) Plated Contacts (*See > Options*)

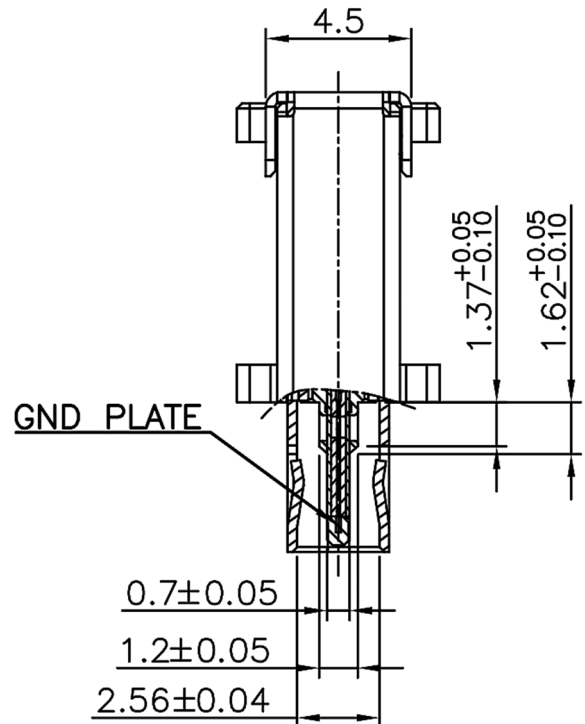
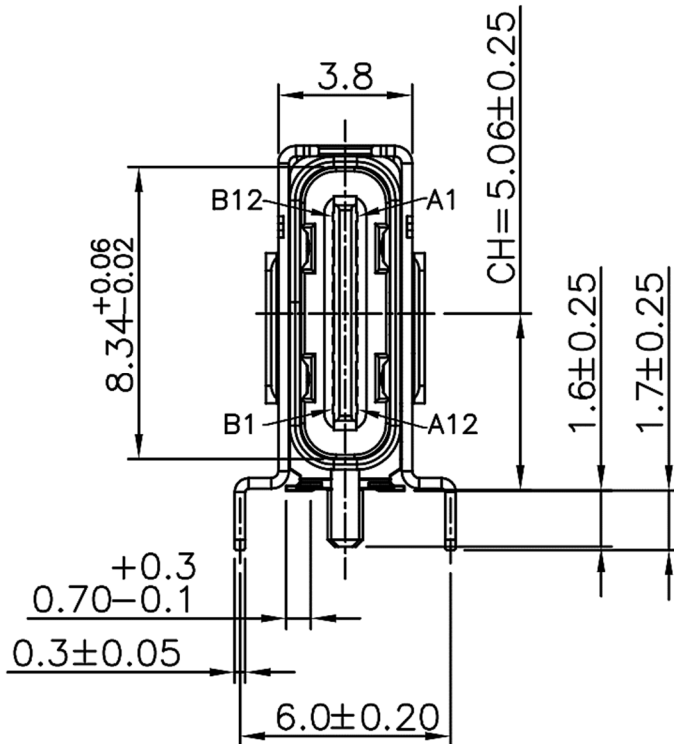
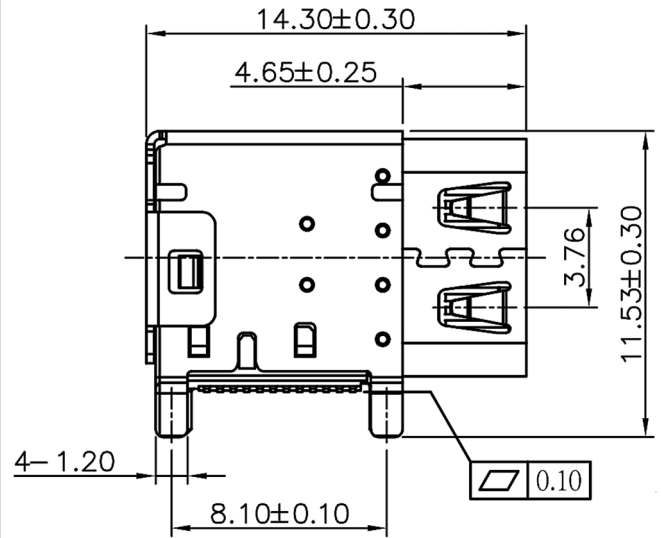
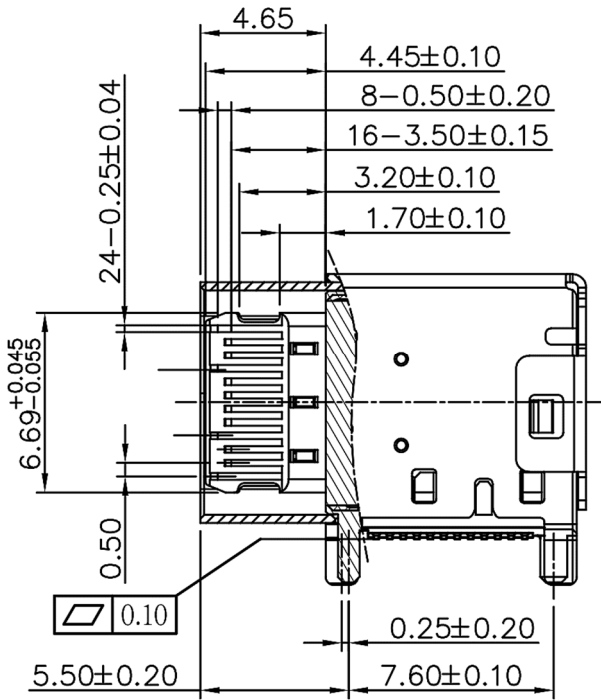
Gold Flash Plated Solder Tails and Nickel Plated Stainless Steel Shell. Black LCP UL94V-0 Hi-Temp Insulator.

Tape & Reel (& Cut Tape) Packaging.

### > TECHNICAL SPECIFICATION

NUMBER OF PORTS:	SINGLE
CONNECTOR TYPE:	USB TYPE C GEN 2 RECEPTACLE
MOUNTING TYPE:	PCB SMT 24 PIN
ORIENTATION:	HORIZONTAL 90° 'FLAG' STYLE
INSULATION (PLASTICS):	BLACK LCP UL94V-0 (HI TEMP)
CONTACT MATERIAL:	COPPER ALLOY
CONTACT PLATING:	STD 1 MICRON (u") GOLD OVER NICKEL ( <i>See &gt; Options</i> )
SHELL/MID PLATE MATERIAL:	STAINLESS STEEL
SHELL PLATING:	NICKEL
SOLDER TAIL PLATING:	GOLD FLASH
RoHS COMPLIANT:	EU RoHS 2011/65/EU and EU 2015/863
CURRENT RATING:	5A VBUS, 1.25 GND PIN, 0.25A OTHER
VOLTAGE RATING:	20V DC
CONTACT RESISTANCE:	40 mΩ MAX
DIELECTRIC WITHSTANDING VOLTAGE:	100V AC
INSULATION RESISTANCE:	100MΩ
OPERATING TEMPERATURE:	-40°C to +85°C
MATING FORCE (MAX):	5-20N
UNMATING FORCE (MIN):	8-20N
DURABILITY:	10000 MATING CYCLES
MAX PROCESSING TEMP:	260°C

> PHYSICAL







> OPTIONS

CONTACT PLATING:  
(GOLD FLASH PLATING 1 MICRON  
(u") AS STANDARD, NO SUFFIX)

PART NUMBER 607-0013-XX = CONTACT GOLD PLATING THICKNESS  
OPTIONS AVAILABLE UPON REQUEST

PART NUMBER EXAMPLE: 607-0013 = BLACK LCP HI-TEMP INSULATOR, GOLD FLASH PLATING, TAPE &  
REEL. PLEASE VERIFY AVAILABILITY ON OPTIONS PRIOR TO SELECTION / ORDERING



## > REVISION HISTORY

Revision	Description	Date
1.0	Initial Drawing Release	08.10.2021

Revision History provided is for informational purposes only and is believed to be accurate.