

MPSI CONNEX USB Type C Connectors, 607 Series:

Part 607-1000 – USB 3.1 Type C Male Plug, 90°, PCB Edge, Mid Mount, 24 Pin SMT, 5A, UL94V-0 Black

| www.mpsiconnex.com |

| sales@mpsiconnex.com |



Images are for Illustrative Purposes Only

USB 3.1 Type C, 24P Male Plug, 5A Rated.

PCB Edge, Mid Mount 90° SMT, 5 Gbps Data.

Gold 1 (“U”) Micron Plated Contacts.

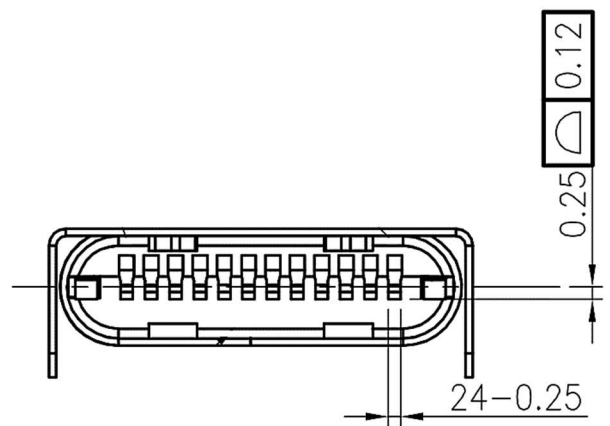
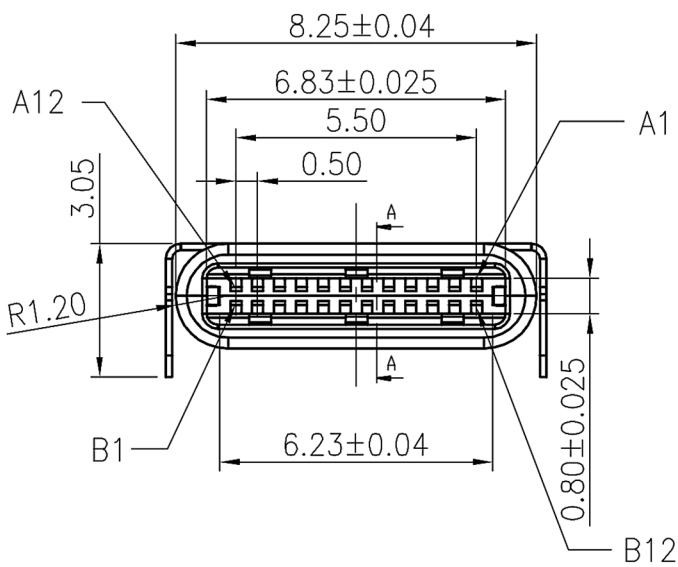
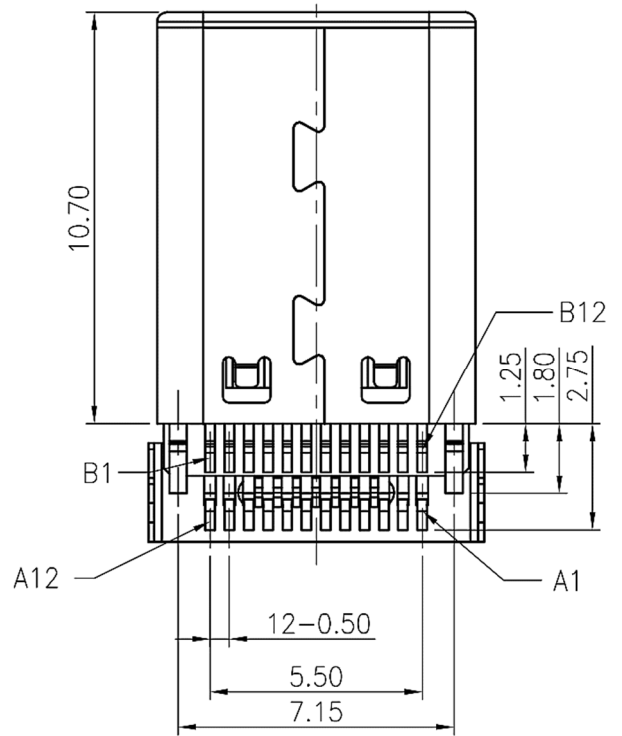
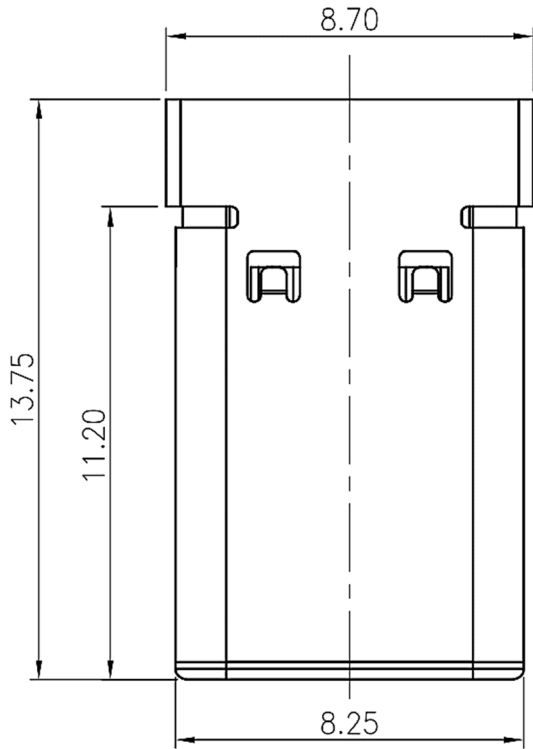
Nickel Plated Stainless Steel Shell.
Black LCP + 30% G/F Hi-Temp Insulator.

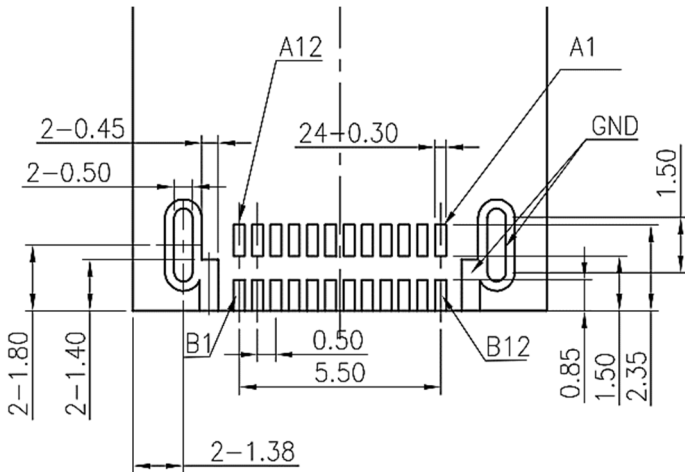
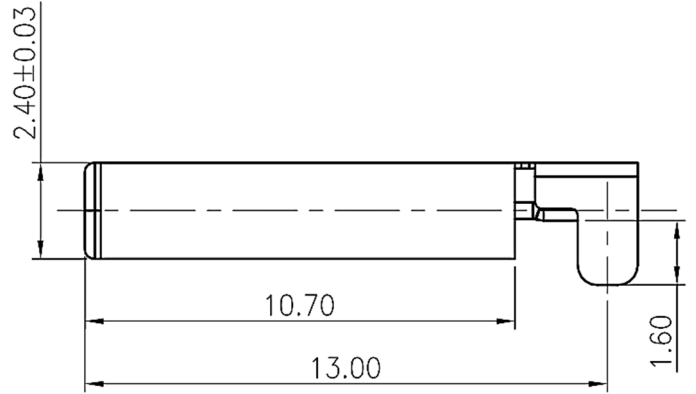
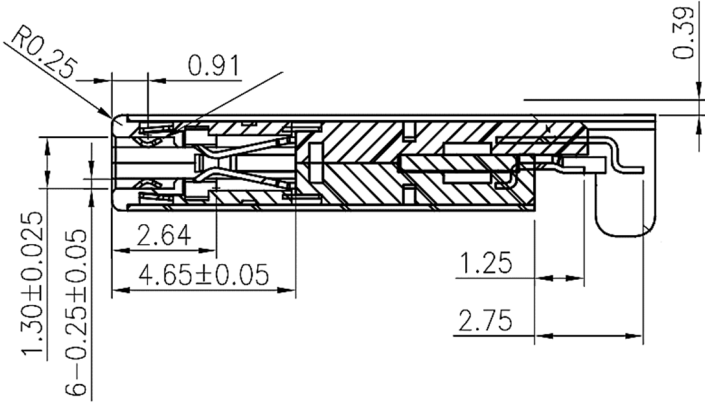
Supplied in Tape & Reel Packaging.

> TECHNICAL SPECIFICATION

NUMBER OF PORTS:	SINGLE
CONNECTOR TYPE:	USB 3.1 TYPE C MALE PLUG
MOUNTING TYPE:	PCB SMT, EDGE, MID MOUNT
ORIENTATION:	HORIZONTAL 90°
INSULATION:	BLACK LCP + 30% G/F UL94V-0 (HI TEMP)
CONTACT MATERIAL:	PHOSPHOR BRONZE
CONTACT PLATING:	GOLD 1 (“U”) MICRON OVER NICKEL 50 “U” MIN
SHELL MATERIAL & PLATING:	STAINLESS STEEL, NICKEL PLATED 30”U” MIN
SHIELD CONTACT:	STAINLESS STEEL, NICKEL PLATED 30”U” MIN
EMI PLATE:	STAINLESS STEEL
RoHS COMPLIANT:	EU RoHS 2011/65/EU and EU 2015/863
CURRENT RATING:	5A VBUS, 1.25A VCONN PIN, 0.25A OTHER
VOLTAGE RATING:	20V DC
POWER RATING:	100W
CONTACT RESISTANCE:	30 mΩ MAX
DIELECTRIC WITHSTANDING VOLTAGE:	100V AC 1 MIN
INSULATION RESISTANCE:	100MΩ
OPERATING TEMPERATURE:	-40°C to +85°C
MATING FORCE (MAX):	5-20N
UNMATING FORCE (MIN):	8-20N
DURABILITY:	10000 MATING CYCLES

> PHYSICAL





Recommended P.C.B Layout
Tolerance ± 0.05

Pin Number	host	device	Pin Number	host	device
PIN A1	GND	GND	PIN B12	GND	GND
PIN A2	SSTXp1	SSTXp1	PIN B11	SSRXp1	SSRXp1
PIN A3	SSTXn1	SSTXn1	PIN B10	SSRXn1	SSRXn1
PIN A4	VBUS	VBUS	PIN B9	VBUS	VBUS
PIN A5	CC1	CC1	PIN B8	SBU2	SBU2
PIN A6	Dp1	Dp1	PIN B7	Dn2	Dn2
PIN A7	Dn1	Dn1	PIN B6	Dp2	Dp2
PIN A8	SBU1	SBU1	PIN B5	CC2	CC2
PIN A9	VBUS	VBUS	PIN B4	VBUS	VBUS
PIN A10	SSRXn2	SSRXn2	PIN B3	SSTXn2	SSTXn2
PIN A11	SSRXp2	SSRXp2	PIN B2	SSTXp2	SSTXp2
PIN A12	GND	GND	PIN B1	GND	GND



> REVISION HISTORY

Revision	Description	Date
1.0	Initial Drawing Release	08.07.2022

Revision History provided is for informational purposes only and is believed to be accurate.