

## MPSI CONNEX IEC INLET FILTER, 704-4300 Series:

*704-4301-X (See Table) 3-10A, Snap-Fit Assembly, 6.3mm\*0.8mm Faston Terminals*



IEC Inlet Filter, Snap-Fit Assembly with top & bottom shrapnel. Quick Connect with 6.3mm x 0.8mm Faston Terminals.

This model is available in 3A, 6A & 10A rated options, please see version specific details and ordering codes below.

Provides effective EMI suppression of line to line & line to ground noise.

Additional Custom Options available including Medical Grade, Resistor, Choke, Solder Terminals, Wire Termination etc – please see Additional Custom Options table and part numbering for more information.

### > SAFETY APPROVALS

UL, TUV, CQC, CE Certified.

### > TECHNICAL SPECIFICATION 3A

#### CHARACTERISTICS:

- |   |             |
|---|-------------|
| (1) VOLTAGE RATING.....                                 | 115/250VAC  |
| (2) CURRENT RATING:                                     |             |
| A. @ 115VAC.....  | 3A RMS Max. |
| B. @ 250VAC.....  | 3A RMS Max. |
| (3) OPERATING FREQUENCY: 50/60Hz                        |             |
| (4) LEAKAGE CURRENT: EACH LINE TO GROUND(TEMP25°C±2°C)  |             |
| A. @ 115VAC/60Hz.....                                   | 0.4mA Max.  |
| B. @ 250VAC/50Hz.....                                   | 0.8mA Max.  |
| (5) HIPOT RATING(FOR ONE MINUTE)                        |             |
| A. LINE TO GROUND.....                                  | 2250VDC     |
| B. LINE TO LINE.....                                    | 1450VDC     |
| (6) IR: 50M ohm AT 500VDC ANY INPUT OR OUTPUT TO GROUND |             |
| (7) TEMPERATURE RANGE: -25°C~+85°C                      |             |

## > TECHNICAL SPECIFICATION 6A

### CHARACTERISTICS:

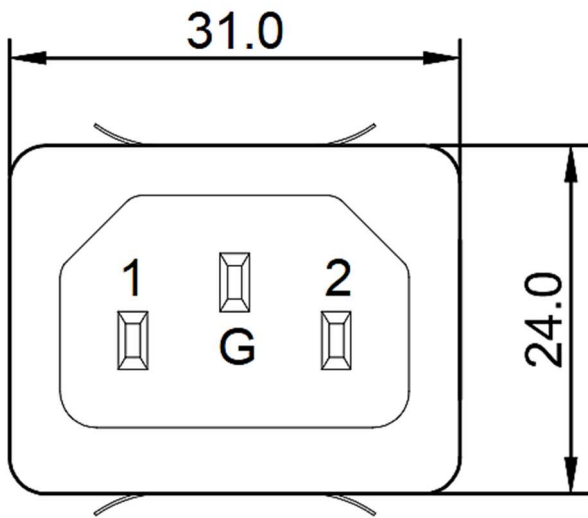
- (1) VOLTAGE RATING.....115/250VAC
- (2) CURRENT RATING:
  - A. @ 115VAC.....6A RMS Max.
  - B. @ 250VAC.....6A RMS Max.
- (3) OPERATING FREQUENCY: 50/60Hz
- (4) LEAKAGE CURRENT: EACH LINE TO GROUND(TEMP:25°C±2°C)
  - A. @ 115VAC/60Hz.....0.4mA Max.
  - B. @ 250VAC/50Hz.....0.8mA Max.
- (5) HIPOT RATING(FOR ONE MINUTE)
  - A. LINE TO GROUND.....2250VDC
  - B. LINE TO LINE.....1450VDC
- (6) IR: 50M ohm AT 500VDC ANY INPUT OR OUTPUT TO GROUND
- (7) TEMPERATURE RANGE: -25°C~+85°C

## > TECHNICAL SPECIFICATION 10A

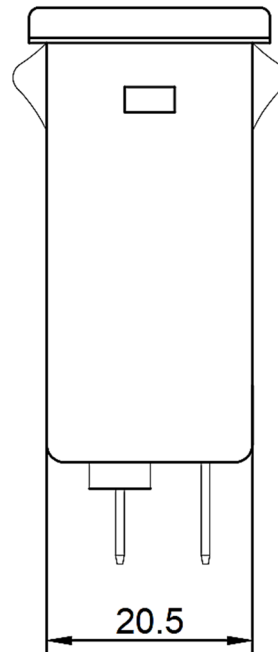
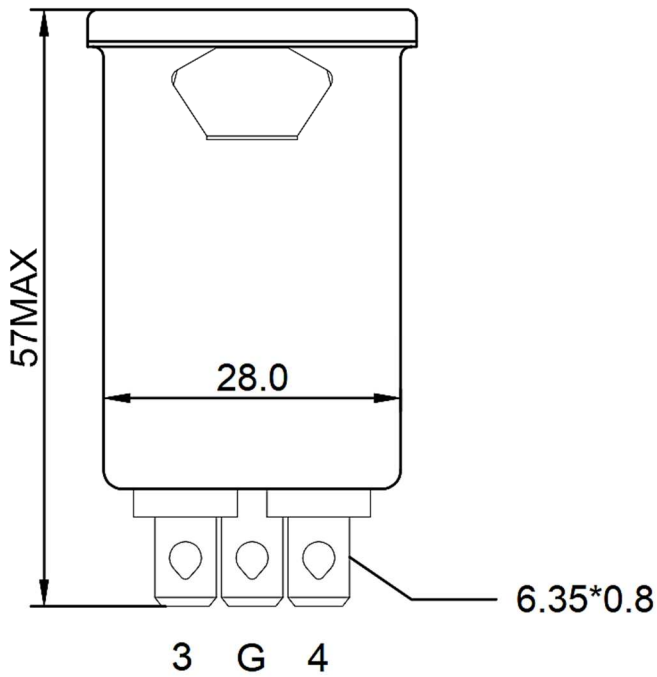
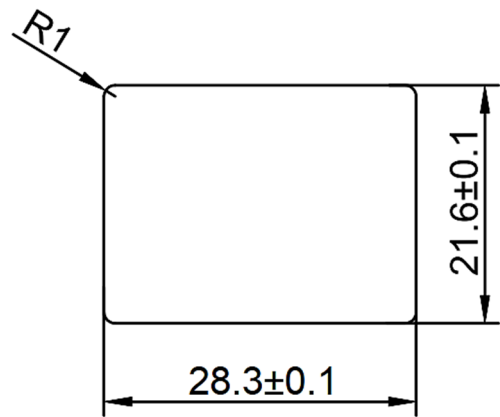
### CHARACTERISTICS:

- (1) VOLTAGE RATING.....115/250VAC
- (2) CURRENT RATING:
  - A. @ 115VAC.....10A RMS Max.
  - B. @ 250VAC.....10A RMS Max.
- (3) OPERATING FREQUENCY: 50/60Hz
- (4) LEAKAGE CURRENT: EACH LINE TO GROUND(TEMP:25°C±2°C)
  - A. @ 115VAC/60Hz.....0.4mA Max.
  - B. @ 250VAC/50Hz.....0.8mA Max.
- (5) HIPOT RATING(FOR ONE MINUTE)
  - A. LINE TO GROUND.....2250VDC
  - B. LINE TO LINE.....1450VDC
- (6) IR: 50M ohm AT 500VDC ANY INPUT OR OUTPUT TO GROUND
- (7) TEMPERATURE RANGE: -25°C~+85°C

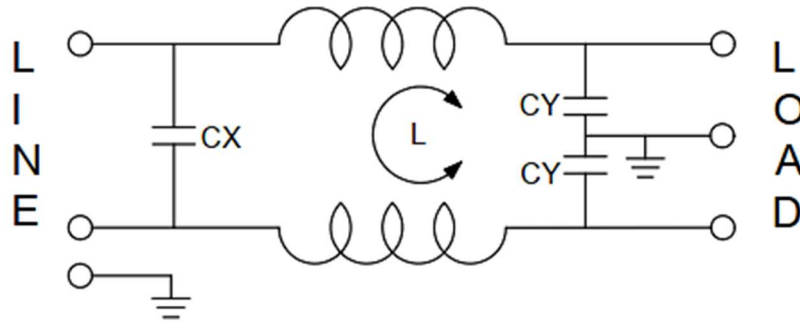
> PHYSICAL



SUGGESTED PANEL CUTOUT  
(MOUNTING FROM FRONT)



## > SCHEMATIC (STANDARD PRODUCT)



## > ORDERING CODE TABLE

Our standard Power Inlet Filters are supplied in a number of rated currents and with 6.3mm Faston Terminal output connectors. Please see our ordering code table below. Additional custom options are listed in the subsequent table.

CURRENT RATING	ORDERING CODE	OUTPUT CONN
3A	704-4301-3	6.3mm (0.8T) Faston Terminal as Standard (see options below)
6A	704-4301-6	
10A	704-4301-10	



> ADDITIONAL CUSTOM OPTIONS:

CUSTOM OPTION	SUFFIX CODE
Medical Grade	-M
Optional Resistor	-R
Optional Choke	-C
Solder Terminals	-S
Wired Termination	-W

**PRODUCT EXAMPLE: 704-4301-3-R**

Power Inlet Filter, Panel Screw Mount, 3A, Optional Resistor.

(Additional product specific data available upon request) 1A and 15A versions upon request.

## > REVISION HISTORY

Revision	Description	Date
1.0	Initial Drawing Release	31.03.2023
2.0	Additional Custom Options Table added	18.05.2023

Revision History provided is for informational purposes only and is believed to be accurate.

