

MPSI RJ45 Modular Jacks, 500-2000 Series:

Order Code 500-2001 – 1 Port, RJ45, 8P8C, CAT 5, Tab-Up, PCB TH, 90°, UL94V-0



Images are for illustrative Purposes Only

RJ45 8P8C Modular Jack, Standard Density.

Single Port, Side Entry 90°. No LED's.

PCB Through-Hole Mount. EMI Fingers & 2 PCB Ground Tabs.

Rated at 1.5A, with Standard UL94V-0 (PA46) Insulator.

UL, RoHS & REACH Compliance.

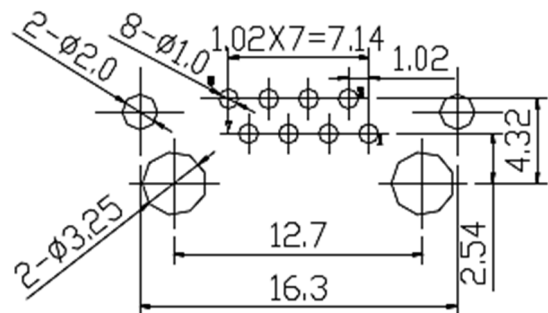
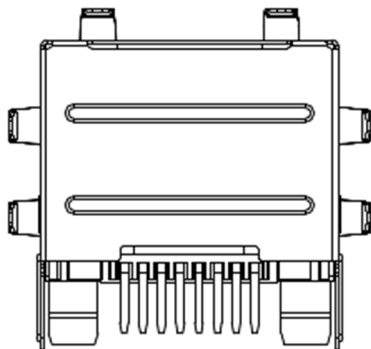
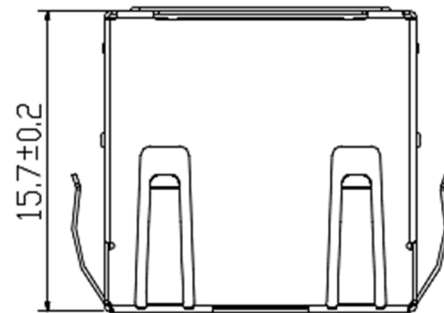
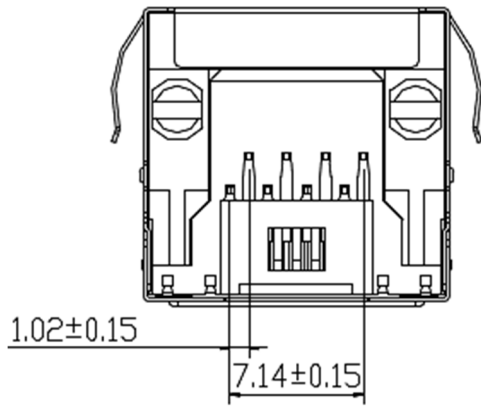
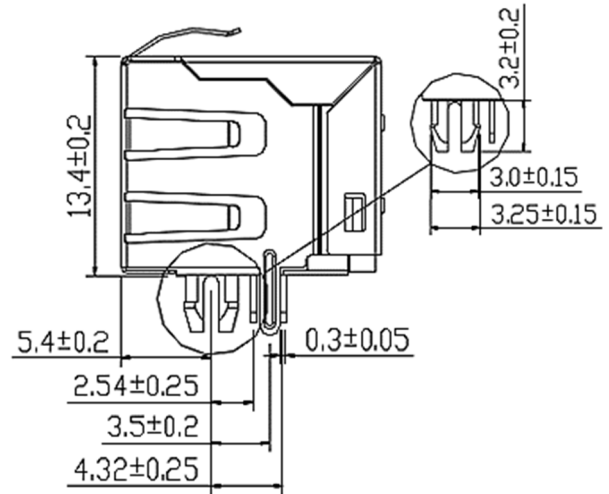
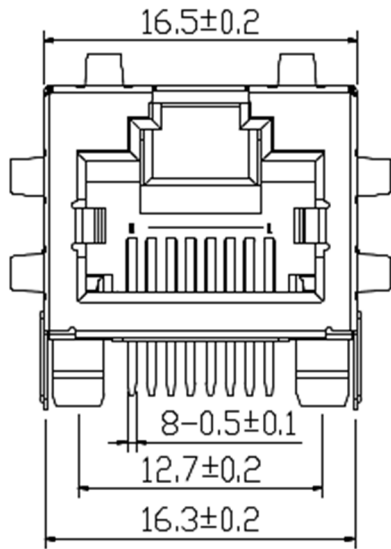
Available Options, see > **PART OPTIONS:**

Contact Plating

> TECHNICAL SPECIFICATION

PORT CONFIGURATION:	1X1 PORT
PRODUCT TYPE:	RJ45 MODULAR JACK
POSITION/CONTACT:	8P8C
STANDARD:	CAT 5
MOUNTING TYPE:	PCB THROUGH-HOLE
ORIENTATION:	90°
EMI FINGERS:	YES
INSULATOR (PLASTICS):	BLACK PA46 UL94V-0
CONTACT MATERIAL:	PHOSPHOR BRONZE T = 0.35mm
SHIELD MATERIAL:	BRASS T = 0.25mm
CONTACT PLATING:	GOLD FLASH STD (CONTACT AREA) <i>SEE OPTIONS</i>
SHIELD PLATING:	NICKEL
RoHS COMPLIANT:	EU RoHS 2011/65/EU and EU 2015/863
CURRENT RATING:	1.5A
VOLTAGE RATING:	125 VAC RMS
CONTACT RESISTANCE:	30 mΩ MAX
DIELECTRIC WITHSTANDING VOLTAGE:	1000V AC RMS 50Hz or 60Hz 1 MIN
INSULATION RESISTANCE:	500MΩ MIN @ 500V DC
OPERATING TEMPERATURE:	-40°C to +85°C
MATING/UNMATING FORCE:	2.2kgF MAX
RETENTION FORCE:	7.7kgF BETWEEN JACK & PLUG
DURABILITY:	750 MATING CYCLES MINIMUM

> PHYSICAL



PC Board Layout



> PART OPTIONS:

CONTACT PLATING:
(GOLD FLASH STD NO SUFFIX)

- G3 3U" GOLD
- G6 6U" GOLD
- G15 15U" GOLD
- G30 30U" GOLD
- G50 50U" GOLD

PART NO: EXAMPLE: 500-2001-G15 = 1x1 PORT RJ45 JACK, CAT 5, TAB UP, EMI FINGERS, 15U" GOLD PLATING. PLEASE VERIFY AVAILABILITY ON OPTIONS PRIOR TO SELECTION.

> REVISION HISTORY

Revision	Description	Date
1.0	Initial Drawing Release	17.11.2023

Revision History provided is for informational purposes only and is believed to be accurate.

