

## MPSI CONNEX IEC POWER ENTRY MODULE, 704-1100 Series:

704-1101-X 1-10A, Panel Screw Mount L/R, Single Fuse, 6.3mm\*0.8mm Faston Terms.



IEC 60320 C14 Power Entry Module, Panel Screw Mount Left and Right Fixing. Single Fuse. Quick Connect with 6.3mm x 0.8mm Faston Terminals as standard.

This model is available in 1A, 2A, 3A, 6A & 10A rated options, please see version specific details and ordering codes below.

Provides effective EMI suppression of line to line & line to ground noise.

Additional Custom Options available including Medical Grade, Resistor, Choke, Solder Terminals, Wire Termination etc – please see Additional Custom Options table and part numbering for more information.

### > SAFETY APPROVALS

UL, TUV, CQC, CE Certified.

### > TECHNICAL SPECIFICATION 1A

#### CHARACTERISTICS:

(1) VOLTAGE RATING.....115/250VAC

#### (2) CURRENT RATING:

A. @ 115VAC.....1A RMS Max.

B. @ 250VAC.....1A RMS Max.

(3) OPERATING FREQUENCY: 50/60Hz

#### (4) LEAKAGE CURRENT: EACH LINE TO GROUND(TEMP:25°C±2°C)

A. @ 115VAC/60Hz.....0.4mA Max.

B. @ 250VAC/50Hz.....0.8mA Max.

#### (5) HIPOT RATING(FOR ONE MINUTE)

A. LINE TO GROUND.....2250VDC

B. LINE TO LINE.....1450VDC

(6) IR: 50M ohm AT 500VDC ANY INPUT OR OUTPUT TO GROUND

(7) TEMPERATURE RANGE: -25°C~+85°C

## > TECHNICAL SPECIFICATION 2A

### CHARACTERISTICS:

- (1) VOLTAGE RATING.....115/250VAC
- (2) CURRENT RATING:
  - A. @ 115VAC.....2A RMS Max.
  - B. @ 250VAC.....2A RMS Max.
- (3) OPERATING FREQUENCY: 50/60Hz
- (4) LEAKAGE CURRENT: EACH LINE TO GROUND
  - A. @ 115VAC/60Hz.....0.4mA Max.
  - B. @ 250VAC/50Hz.....0.8mA Max.
- (5) HIPOT RATING(FOR ONE MINUTE)
  - A. LINE TO GROUND.....2250VDC
  - B. LINE TO LINE.....1450VDC
- (6) IR: 50M ohm AT 500VDC ANY INPUT OR OUTPUT TO GROUND
- (7) TEMPERATURE RANGE: -25°C~+85°C

## > TECHNICAL SPECIFICATION 3A

### CHARACTERISTICS:

- (1) VOLTAGE RATING.....115/250VAC
- (2) CURRENT RATING:
  - A. @ 115VAC.....3A RMS Max.
  - B. @ 250VAC.....3A RMS Max.
- (3) OPERATING FREQUENCY: 50/60Hz
- (4) LEAKAGE CURRENT: EACH LINE TO GROUND(TEMP:25°C±2°C)
  - A. @ 115VAC/60Hz.....0.4mA Max.
  - B. @ 250VAC/50Hz.....0.8mA Max.
- (5) HIPOT RATING(FOR ONE MINUTE)
  - A. LINE TO GROUND.....2250VDC
  - B. LINE TO LINE.....1450VDC
- (6) IR: 50M ohm AT 500VDC ANY INPUT OR OUTPUT TO GROUND
- (7) TEMPERATURE RANGE: -25°C~+85°C

## > TECHNICAL SPECIFICATION 6A

### CHARACTERISTICS:

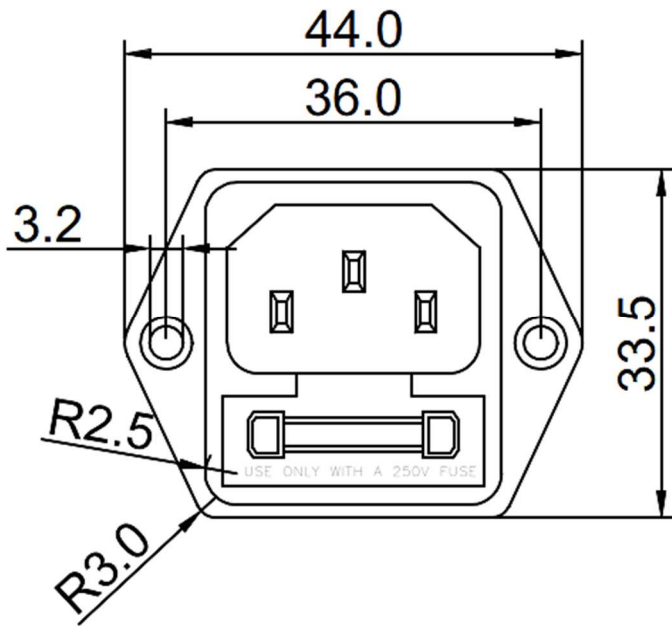
- (1) VOLTAGE RATING.....115/250VAC
- (2) CURRENT RATING:
  - A. @ 115VAC......6A RMS Max.
  - B. @ 250VAC......6A RMS Max.
- (3) OPERATING FREQUENCY: 50/60Hz
- (4) LEAKAGE CURRENT: EACH LINE TO GROUND(TEMP:25°C±2°C)
  - A. @ 115VAC/60Hz......0.4mA Max.
  - B. @ 250VAC/50Hz......0.8mA Max.
- (5) HIPOT RATING(FOR ONE MINUTE)
  - A. LINE TO GROUND......2250VDC
  - B. LINE TO LINE......1450VDC
- (6) IR: 50M ohm AT 500VDC ANY INPUT OR OUTPUT TO GROUND
- (7) TEMPERATURE RANGE: -25°C~+85°C

## > TECHNICAL SPECIFICATION 10A

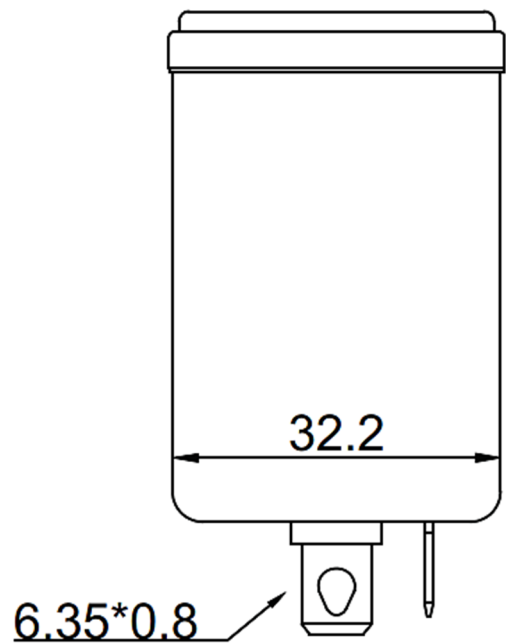
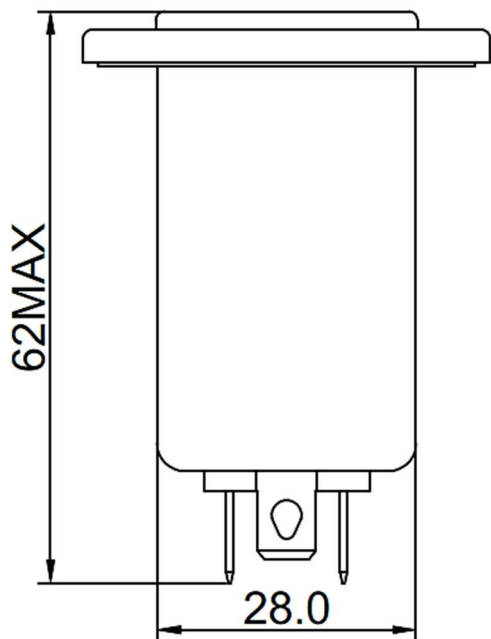
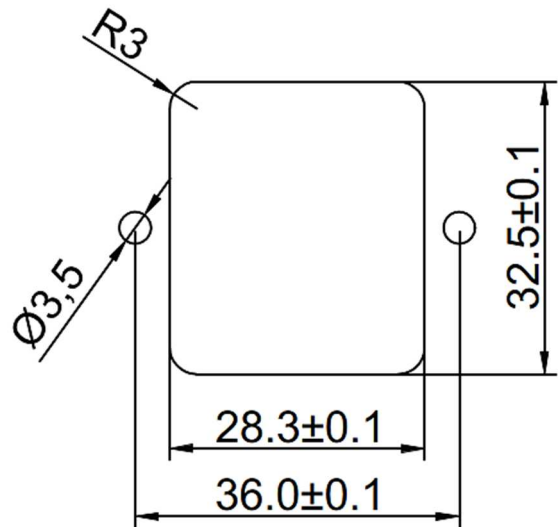
### CHARACTERISTICS:

- (1) VOLTAGE RATING.....115/250VAC
- (2) CURRENT RATING:
  - A. @ 115VAC......10A RMS Max.
  - B. @ 250VAC......10A RMS Max.
- (3) OPERATING FREQUENCY: 50/60Hz
- (4) LEAKAGE CURRENT: EACH LINE TO GROUND(TEMP:25°C±2°C)
  - A. @ 115VAC/60Hz......0.4mA Max.
  - B. @ 250VAC/50Hz......0.8mA Max.
- (5) HIPOT RATING(FOR ONE MINUTE)
  - A. LINE TO GROUND......2250VDC
  - B. LINE TO LINE......1450VDC
- (6) IR: 50M ohm AT 500VDC ANY INPUT OR OUTPUT TO GROUND
- (7) TEMPERATURE RANGE: -25°C~+85°C

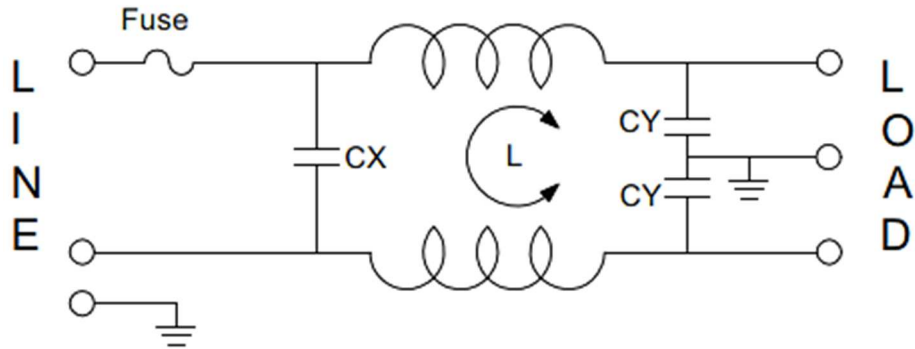
> PHYSICAL



### SUGGESTED PANEL CUTOUT (MOUNTING FROM FRONT)



## > SCHEMATIC (STANDARD TYPE)



## > ORDERING CODE TABLE

Our standard Power Entry Modules are supplied in a number of rated currents with 6.3mm Faston Terminal output connectors. Please see our ordering code table below. Additional custom options are listed in the subsequent table.

CURRENT RATING	ORDERING CODE	OUTPUT CONN
1A	704-1101-1	6.3mm (0.8T) Faston Terminal as Standard (see options below)
2A	704-1101-2	
3A	704-1101-3	
6A	704-1101-6	
10A	704-1101-10	



> ADDITIONAL CUSTOM OPTIONS:

CUSTOM OPTION	SUFFIX CODE
Medical Grade	-M
Optional Resistor	-R
Optional Choke	-C
Solder Terminals	-S
Wired Termination	-W

**PRODUCT EXAMPLE: 704-1101-3-M**

Power Entry Module, Pnl Screw Mount L/R, Single Fuse, 3A, Medical, 6.3mm (0.8T) Faston Terms. (Product data available upon request for custom option versions).

## > REVISION HISTORY

Revision	Description	Date
1.0	Initial Drawing Release	23.05.2023

Revision History provided is for informational purposes only and is believed to be accurate.

