

## MPSI CONNEX IEC POWER ENTRY MODULE, 704-2200 Series:

704-2201-X 1-10A, Panel Screw Mount Top/Bottom, Switched, 6.3mm\*0.8mm Faston Terms.



IEC 60320 C14 Power Entry Module, Panel Screw Mount Top/Bottom Fixing. Switched. Black Switch & Quick Connect 6.3mm x 0.8mm Faston Terminals as standard.

This model is available in 1A, 3A, 6A & 10A rated options, please see version specific details and ordering codes below.

Provides effective EMI suppression of line to line & line to ground noise.

Additional Custom Options include Red or Green Switches, Medical Grade, Resistor, Choke, Solder Terminals, Wire Termination etc – please see Additional Custom Options table and part numbering for more info.

### > SAFETY APPROVALS

UL, TUV, CQC, CE Certified.

### > TECHNICAL SPECIFICATION 1A

#### CHARACTERISTICS:

- (1) VOLTAGE RATING.....115/250VAC
- (2) CURRENT RATING:
- A. @ 115VAC.....1A RMS Max.
- B. @ 250VAC.....1A RMS Max.
- (3) OPERATING FREQUENCY: 50/60Hz
- (4) LEAKAGE CURRENT: EACH LINE TO GROUND(TEMP:25°C±2°C)
- A. @ 115VAC/60Hz.....0.3mA Max.
- B. @ 250VAC/50Hz.....0.6mA Max.
- (5) HIPOT RATING(FOR ONE MINUTE)
- A. LINE TO GROUND.....2250VDC
- B. LINE TO LINE.....500VDC
- (6) IR: 50M ohm AT 500VDC ANY INPUT OR OUTPUT TO GROUND
- (7) TEMPERATURE RANGE: -25°C~+85°C

## > TECHNICAL SPECIFICATION 3A

### CHARACTERISTICS:

- (1) VOLTAGE RATING.....115/250VAC
- (2) CURRENT RATING:
  - A. @ 115VAC.....3A RMS Max.
  - B. @ 250VAC.....3A RMS Max.
- (3) OPERATING FREQUENCY: 50/60Hz
- (4) LEAKAGE CURRENT: EACH LINE TO GROUND(TEMP:25°C±2°C)
  - A. @ 115VAC/60Hz.....0.4mA Max.
  - B. @ 250VAC/50Hz.....0.8mA Max.
- (5) HIPOT RATING(FOR ONE MINUTE)
  - A. LINE TO GROUND.....2250VDC
  - B. LINE TO LINE.....1450VDC
- (6) IR: 50M ohm AT 500VDC ANY INPUT OR OUTPUT TO GROUND
- (7) TEMPERATURE RANGE: -25°C~+85°C

## > TECHNICAL SPECIFICATION 6A

### CHARACTERISTICS:

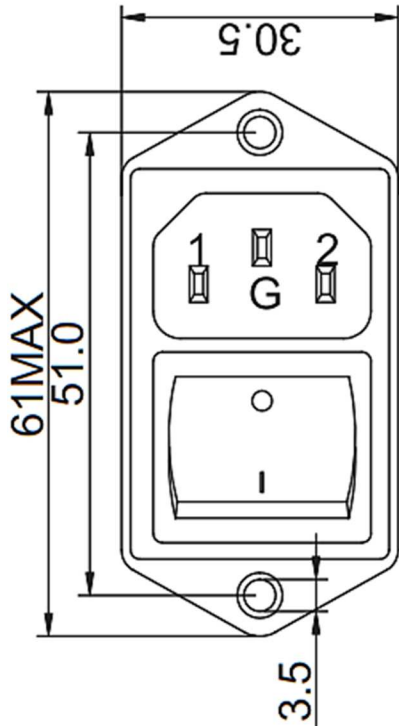
- (1) VOLTAGE RATING.....115/250VAC
- (2) CURRENT RATING:
  - A. @ 115VAC.....6A RMS Max.
  - B. @ 250VAC.....6A RMS Max.
- (3) OPERATING FREQUENCY: 50/60Hz
- (4) LEAKAGE CURRENT: EACH LINE TO GROUND(TEMP:25°C±2°C)
  - A. @ 115VAC/60Hz.....0.4mA Max.
  - B. @ 250VAC/50Hz.....0.8mA Max.
- (5) HIPOT RATING(FOR ONE MINUTE)
  - A. LINE TO GROUND.....2250VDC
  - B. LINE TO LINE.....1450VDC
- (6) IR: 50M ohm AT 500VDC ANY INPUT OR OUTPUT TO GROUND
- (7) TEMPERATURE RANGE: -25°C~+85°C

## > TECHNICAL SPECIFICATION 10A

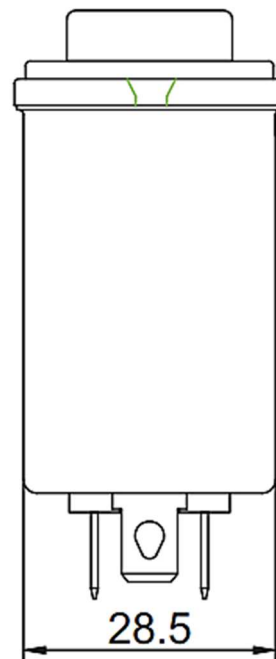
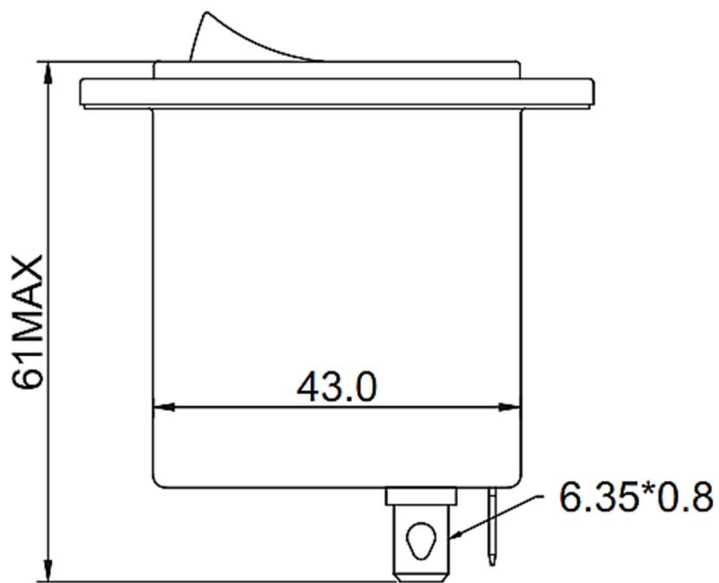
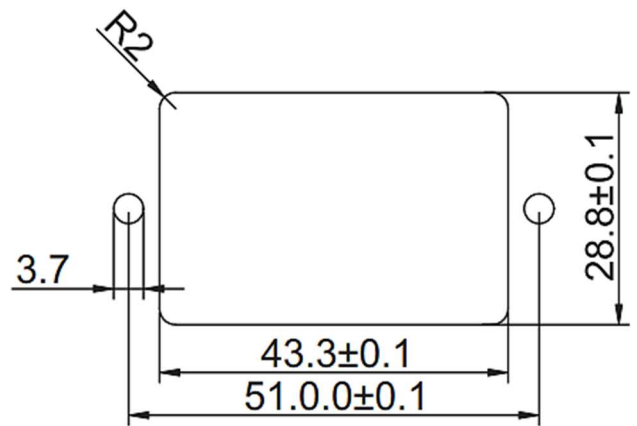
### CHARACTERISTICS:

- (1) VOLTAGE RATING.....115/250VAC
- (2) CURRENT RATING:
  - A. @ 115VAC.....10A RMS Max.
  - B. @ 250VAC.....10A RMS Max.
- (3) OPERATING FREQUENCY: 50/60Hz
- (4) LEAKAGE CURRENT: EACH LINE TO GROUND(TEMP:25°C±2°C)
  - A. @ 115VAC/60Hz.....0.4mA Max.
  - B. @ 250VAC/50Hz.....0.8mA Max.
- (5) HIPOT RATING(FOR ONE MINUTE)
  - A. LINE TO GROUND.....2250VDC
  - B. LINE TO LINE.....1450VDC
- (6) IR: 50M ohm AT 500VDC ANY INPUT OR OUTPUT TO GROUND
- (7) TEMPERATURE RANGE: -25°C~+85°C

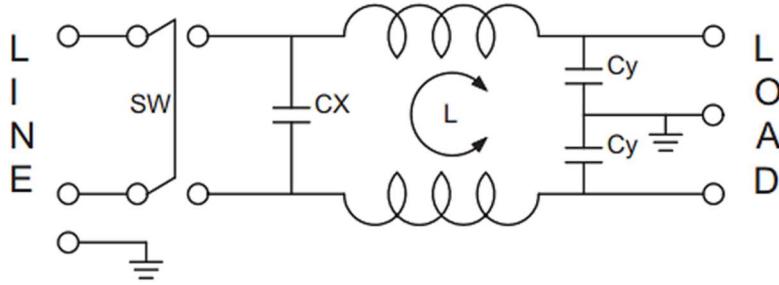
> PHYSICAL



SUGGESTED PANEL CUTOUT  
(MOUNTING FROM FRONT)



## > SCHEMATIC (STANDARD PRODUCT)



## > ORDERING CODE TABLE

Our standard Power Entry Modules are supplied in a number of rated currents with 6.3mm Faston Terminal output connectors. Please see our ordering code table below. Additional custom options are listed in the subsequent table.

CURRENT RATING	ORDERING CODE	OUTPUT CONN
1A	704-2201-1	6.3mm (0.8T) Faston Terminal as Standard (see options below)
3A	704-2201-3	
6A	704-2201-6	
10A	704-2201-10	



> ADDITIONAL CUSTOM OPTIONS:

CUSTOM OPTION	SUFFIX CODE
Red Switch	-RS
Green Switch	-GS
Medical Grade	-M
Optional Resistor	-R
Optional Choke	-C
Solder Terminals	-S
Wired Termination	-W

**PRODUCT EXAMPLE: 704-2201-6-GS**

Power Entry Module, Panel Screw Mount Top / Bottom, Switched, 6A, Green Switch.  
(Product data available upon request for custom option versions).

## > REVISION HISTORY

Revision	Description	Date
1.0	Initial Drawing Release	26.05.2023

Revision History provided is for informational purposes only and is believed to be accurate.

Price



Quality



Service

