

MPSI CONNEX IEC POWER ENTRY MODULE, 704-3500 Series:

704-3501-X 1-10A, Snap-Fit Top/Bottom, Single Fuse & Switch, 6.3mm*0.8mm Faston Terms.



Black Switch Standard, with Red & Green Options

IEC 60320 C14 Power Entry Module, Snap-Fit, Top and Bottom Fixing. Single Fuse & Switch (Black Switch as Standard). Quick Connect with 6.3mm x 0.8mm Faston Terminals as standard.

This model is available in 1A, 3A, 6A & 10A rated options, please see version specific details and ordering codes below.

Provides effective EMI suppression of line to line & line to ground noise.

Additional Custom Options available including Red/Green Switch, Medical Grade, Resistor, Choke, Solder Terminals, Wired – please see Additional Custom Options table & part numbering for more information.

> SAFETY APPROVALS

UL, TUV, CQC, CE Certified.

> TECHNICAL SPECIFICATION 1A

CHARACTERISTICS:

- (1) VOLTAGE RATING.....115/250VAC
- (2) CURRENT RATING:
- A. @ 115VAC.....1A RMS Max.
- B. @ 250VAC.....1A RMS Max.
- (3) OPERATING FREQUENCY: 50/60Hz
- (4) LEAKAGE CURRENT: EACH LINE TO GROUND(TEMP:25°C±2°C)
- A. @ 115VAC/60Hz.....0.4mA Max.
- B. @ 250VAC/50Hz.....0.8mA Max.
- (5) HIPOT RATING(FOR ONE MINUTE)
- A. LINE TO GROUND.....2250VDC
- B. LINE TO LINE.....1450VDC
- (6) IR: 50M ohm AT 500VDC ANY INPUT OR OUTPUT TO GROUND
- (7) TEMPERATURE RANGE: -25°C~+100°C

> TECHNICAL SPECIFICATION 3A

CHARACTERISTICS:

- (1) VOLTAGE RATING.....115/250VAC
- (2) CURRENT RATING:
 - A. @ 115VAC.....3A RMS Max.
 - B. @ 250VAC.....3A RMS Max.
- (3) OPERATING FREQUENCY: 50/60Hz
- (4) LEAKAGE CURRENT: EACH LINE TO GROUND(TEMP:25°C±2°C)
 - A. @ 115VAC/60Hz.....0.4mA Max.
 - B. @ 250VAC/50Hz.....0.8mA Max.
- (5) HIPOT RATING(FOR ONE MINUTE)
 - A. LINE TO GROUND.....2250VDC
 - B. LINE TO LINE.....1450VDC
- (6) IR: 50M ohm AT 500VDC ANY INPUT OR OUTPUT TO GROUND
- (7) TEMPERATURE RANGE: -25°C~+100°C

> TECHNICAL SPECIFICATION 6A

CHARACTERISTICS:

- (1) VOLTAGE RATING.....115/250VAC
- (2) CURRENT RATING:
 - A. @ 115VAC.....6A RMS Max.
 - B. @ 250VAC.....6A RMS Max.
- (3) OPERATING FREQUENCY: 50/60Hz
- (4) LEAKAGE CURRENT: EACH LINE TO GROUND(TEMP:25°C±2°C)
 - A. @ 115VAC/60Hz.....0.4mA Max.
 - B. @ 250VAC/50Hz.....0.8mA Max.
- (5) HIPOT RATING(FOR ONE MINUTE)
 - A. LINE TO GROUND.....2250VDC
 - B. LINE TO LINE.....1450VDC
- (6) IR: 50M ohm AT 500VDC ANY INPUT OR OUTPUT TO GROUND
- (7) TEMPERATURE RANGE: -25°C~+100°C

> TECHNICAL SPECIFICATION 10A

CHARACTERISTICS:

(1) VOLTAGE RATING..... 115/250VAC

(2) CURRENT RATING:

A. @ 115VAC.....10A RMS Max.

B. @ 250VAC..... 10A RMS Max.

(3) OPERATING FREQUENCY: 50/60Hz

(4) LEAKAGE CURRENT: EACH LINE TO GROUND

A. @ 115VAC/60Hz.....0.4mA Max.

B. @ 250VAC/50Hz.....0.8mA Max.

(5) HIPOT RATING(FOR ONE MINUTE)

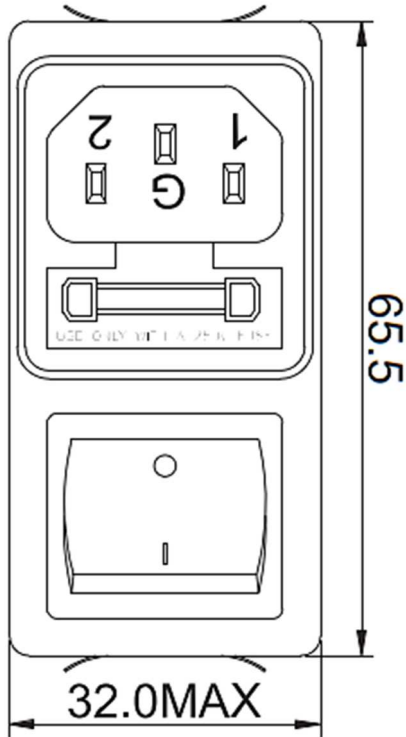
A. LINE TO GROUND.....2250VDC

B. LINE TO LINE.....1450VDC

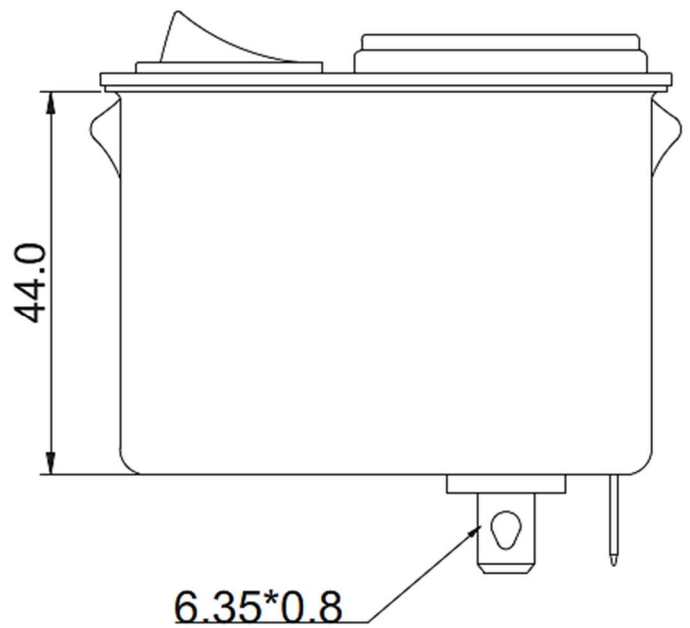
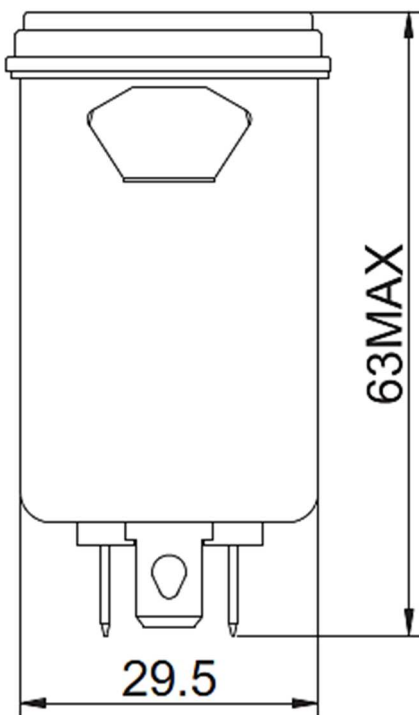
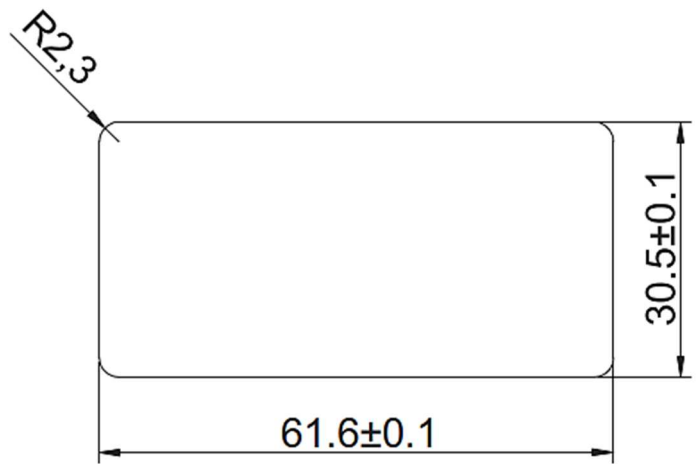
(6) IR: 50M ohm AT 500VDC ANY INPUT OR OUTPUT TO GROUND

(7) TEMPERATURE RANGE: -25°C~+100°C

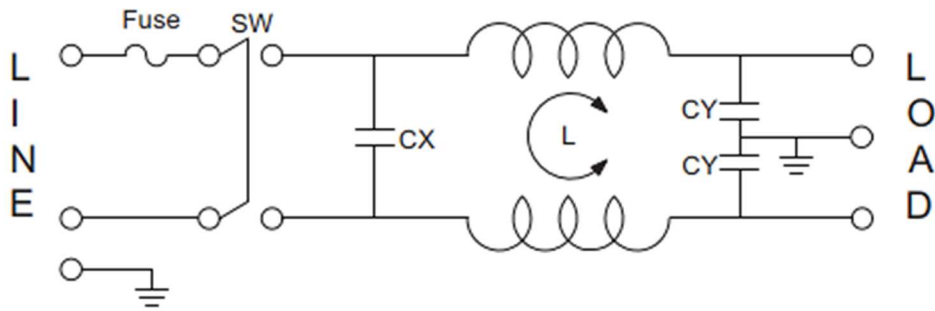
> PHYSICAL



SUGGESTED PANEL CUTOUT (MOUNTING FROM FRONT)



> SCHEMATIC (STANDARD PRODUCT)



> ORDERING CODE TABLE

Our standard Power Entry Modules are supplied in a number of rated currents with black switch (coloured options available) and 6.3mm Faston Terminal output connectors. Please see our ordering code table below. Additional custom options are listed in the subsequent table.

CURRENT RATING	ORDERING CODE	OUTPUT CONN
1A	704-3501-1	6.3mm (0.8T) Faston Terminal as Standard (see options below)
3A	704-3501-3	
6A	704-3501-6	
10A	704-3501-10	



> ADDITIONAL CUSTOM OPTIONS:

CUSTOM OPTION	SUFFIX CODE
Red Switch	-RS
Green Switch	-GS
Medical Grade	-M
Optional Resistor	-R
Optional Choke	-C
Solder Terminals	-S
Wired Termination	-W

PRODUCT EXAMPLE: 704-3501-10-RS-M

Power Entry Module, Snap-Fit Mount Top/Bottom Fixings, Single Fuse & Switch, 10A, Red Switch, Medical, (Product data available on request for custom option versions).

> REVISION HISTORY

Revision	Description	Date
1.0	Initial Drawing Release	14.06.2023

Revision History provided is for informational purposes only and is believed to be accurate.

