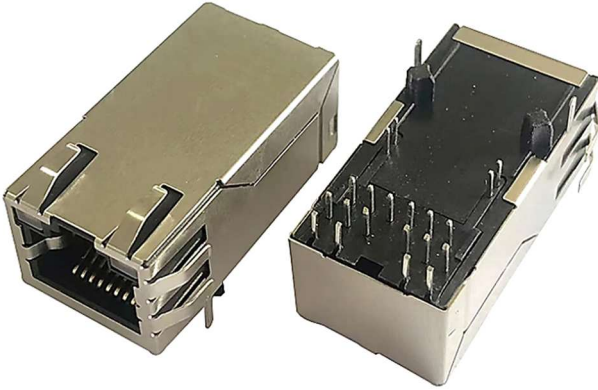


MPSI RJ45 Modular Jacks with Magnetics & POE, 501-4200 Series:

Order Code 501-4501 – 1 Port, 10GB, POE++ 802.3bt Type 3 (60W), PCB TH, 90°, UL94V-0



Images are for Illustrative Purposes Only

10GB RJ45 MagJack with POE++. L = 32.60mm

Meets IEEE 802.3bt Type 3. Spec: 60W, 720mA, 57V

Single Port, Tab Up with EMI Fingers.

90° PCB TH Mount. LED Colours – See Options

UL & RoHS Compliance.

Available Options, see > **PART OPTIONS:**

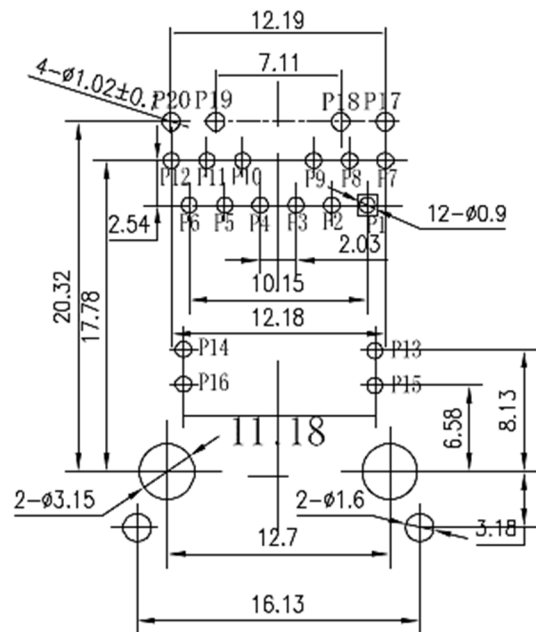
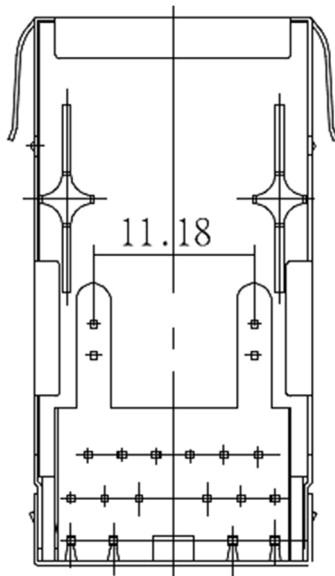
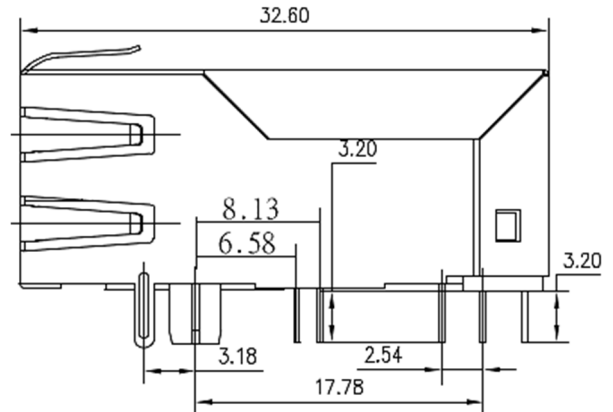
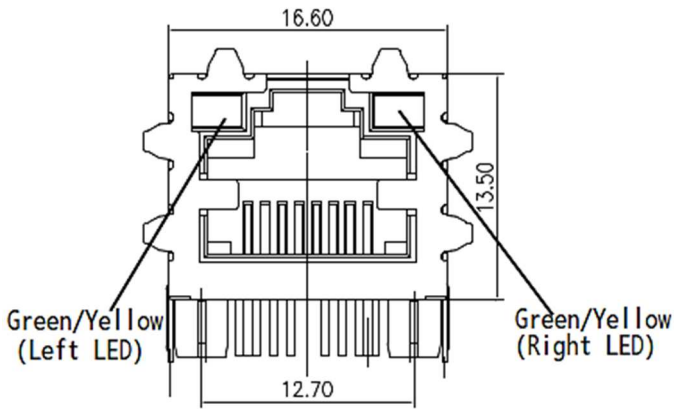
Contact Plating

LED Colours

> TECHNICAL SPECIFICATION

PRODUCT TYPE:	RJ45 MODULAR JACK WITH MAGNETICS
ETHERNET SPEED:	10G
STANDARD:	IEEE 802.3bt POE++ TYPE 3
POWER DELIVERY:	60W
PORT CONFIGURATION:	1 PORT
MOUNTING TYPE:	PCB THROUGH-HOLE
ORIENTATION:	90°
EMI FINGERS:	YES
TAB ORIENTATION:	UP
INSULATOR (PLASTICS):	BLACK THERMOPLASTIC UL94V-0
CONTACT MATERIAL:	COPPER ALLOY
SHIELD MATERIAL:	COPPER ALLOY
CONTACT PLATING:	6U" GOLD IN CONTACT AREA
SHIELD PLATING:	NICKEL
RoHS COMPLIANT:	EU RoHS 2011/65/EU and EU 2015/863
OPERATING TEMPERATURE:	-40°C to +85°C
WAVE SOLDER TEMPERATURE:	265°C MAX (5 SECS)
DURABILITY:	800 MATING CYCLES MIN.

> PHYSICAL



P. C. B RECOMMENDED HOLE LAYOUT SEEN FROM COMPONENT SIDE.
ALL CENTERLINE DIMENSIONS ARE BASIC

Drawing and Schematic shows characteristics for default Green/Yellow, Green/Yellow LED combination. This MagJack is available with a number of LED combinations as shown in the table under > PART OPTIONS.

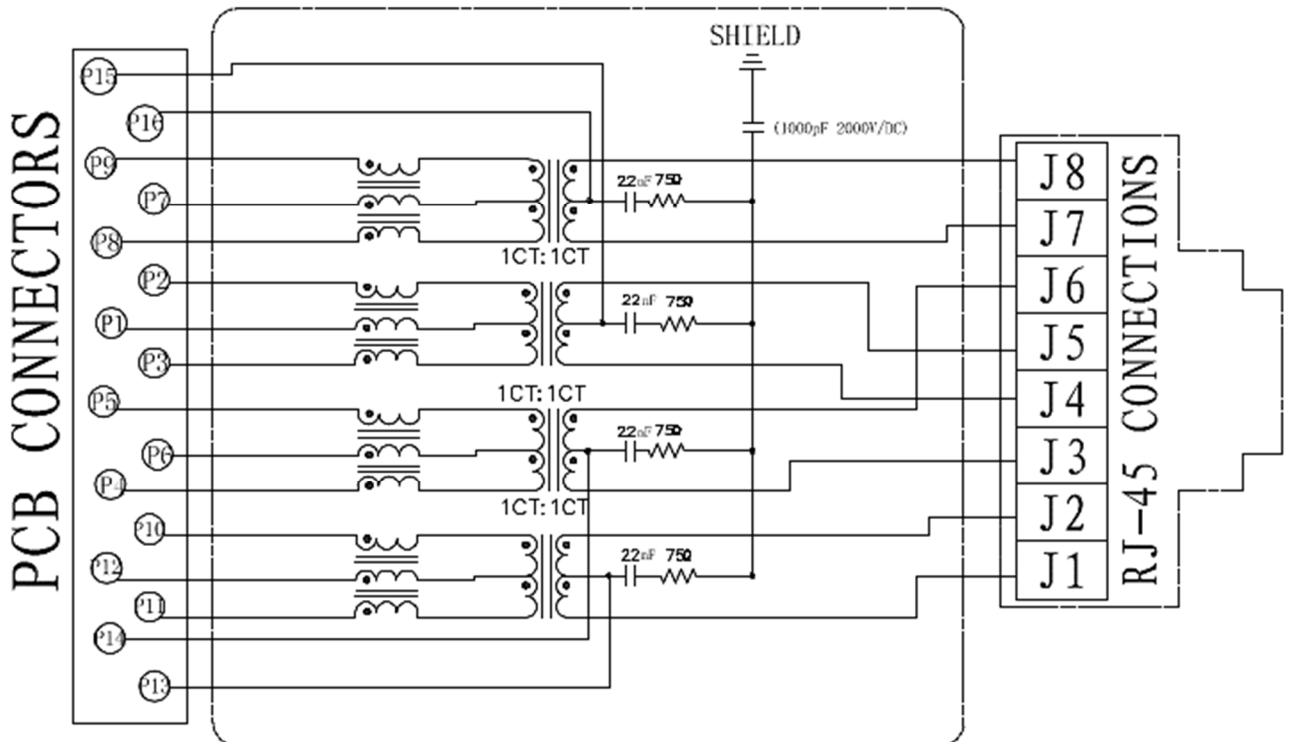
> ELECTRICAL SPECIFICATION AT 25°C

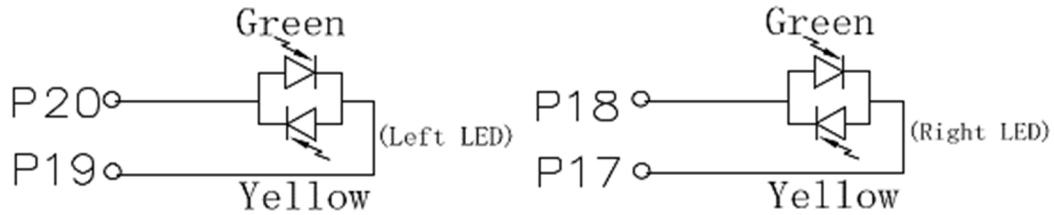
Electrical Specifications:@25°C

PARAMETER	SPECIFICATIONS		
OPERATING TEMP	-40 °C TO +85°C		
TURNS RATIO	1.00 ± 2%		
POLARITY	PER SCHEMATIC		
INSERTION LOSS	100 KHz	1-400 MHz	
	-3.0 dB MAX	-2.0 dB MAX (-1.4 dB TYP)	
RETURN LOSS (Z OUT = 100 OHM ± 1%)	1-100 MHz	100 MHz-500 MHz	
	-22 dB MIN	-22 + 20.75*LOG (f/100)	
INDUCTANCE (OCL)	180 uH MIN @ 100 kHz, 100 mV		
CROSSTALK, ADJACENT CHANNELS	1-100 MHz	100-500 MHz	
	-28 dB MIN	-19 dB MIN	
COMMON MODE REJECTION RATIO	1-40 MHz	40-100 MHz	100-500 MHz
	-30 dB MIN	-28 dB MIN	-26 dB MIN
COMMON TO DIFFERENTIAL MODE REJECTION (CDMR)	1-250 MHz	250-500 MHz	
	-30 dB MIN	-22 dB MIN	
CURRENT CARRYING CAPABILITY, RJ45 PINS 1-8	720 mA MAX		
INPUT - OUTPUT ISOLATION	2250 VDC MIN @ 60 SECONDS		

1.7.POE+ rating:60W,720mA 57V.

Schematics:





> PART OPTIONS:

CONTACT PLATING:
(6U" SELECTIVE GOLD AS
STANDARD - NO SUFFIX)

-G15 15U" GOLD
-G30 30U" GOLD
-G50 50U" GOLD

LED OPTIONS		L = LEFT LED, R = RIGHT LED	
SUFFIX	LED COLOUR/POLARITY	SUFFIX	LED COLOUR/POLARITY
-1	L= G (+ -) R= Y (+ -)	-15	L= GO (+ - / - +) R= Y (- +)
-2	L= G (+ -) R= Y (- +)	-16	L= Y (+ -) R= GO (+ - / - +)
-3	L= G (- +) R= Y (- +)	-17	L= GO (+ - / - +) R= G (+ -)
-4	L= Y (+ -) R= G (+ -)	-18	L= GO (+ - / - +) R= G (- +)
-5	L= Y (+ -) R= G (- +)	-19	L= G (+ -) R= GO (+ - / - +)
-6	L= Y (- +) R= G (- +)	-20	L= GO (+ - / - +) R= GO (+ - / - +)
-7	L= G (- +) R= G (- +)	-21	L= G (+ -) R= R (+ -)
-8	L= GY (+ - / - +) R= G (+ -)	-22	L= R (+ -) R= G (+ -)
-9	L= GY (+ - / - +) R= G (- +)	-23	L= G (+ -) R= O (+ -)
-10	L= G (+ -) R= GY (+ - / - +)	-24	L= O (+ -) R= G (+ -)
-11	L= G (+ -) R= YG (+ - / - +)	-25	L= A (+ -) R= G (+ -)
-12	L= GY (+ - / - +) R= GY (+ - / - +)	-26	L= G (+ -) R= G (+ -)
-13	L= YG (+ - / - +) R= YG (+ - / - +)	-27	L= O (- +) R= G (- +)
-14	L= GO (+ - / - +) R= Y (+ -)	-28	L= A (- +) R= G (- +)

G = GREEN Y = YELLOW O = ORANGE A = AMBER R = RED

This MagJack can be supplied with any of the LED options listed. Please select the suffix for your desired option. For special LED requirements not shown here, please contact us.

PART NO. EXAMPLE: 501-4501-12 = 1x1 PORT MAGJACK, 10GB, PoE++, 6U" GOLD PLATING, TAB UP, LED OPTION -12 PLEASE VERIFY AVAILABILITY ON OPTIONS PRIOR TO SELECTION.

> REVISION HISTORY

Revision	Description	Date
1.0	Initial Drawing Release	24.07.2023
2.0	Addition of LED Colour Options	09.08.2023

Revision History provided is for informational purposes only and is believed to be accurate.

