

MPSI CONNEX USB Type C Connectors, 607 Series:

Part 607-0004 – USB 3.1 Type C Recept, 24 Pin, PCB Top Mount Hybrid 90°, 5A, UL94V-0 Black



Images are for Illustrative Purposes Only

USB 3.1 Type C, 24P Receptable, 5A Rated.

PCB Top Mount Hybrid (SMT & TH) 90° Mount.

5 Gbps Data. Gold 2 ("U") Micron Plated Contacts.

Nickel Plated Stainless Steel Shell.
Black Thermoplastic Insulator.

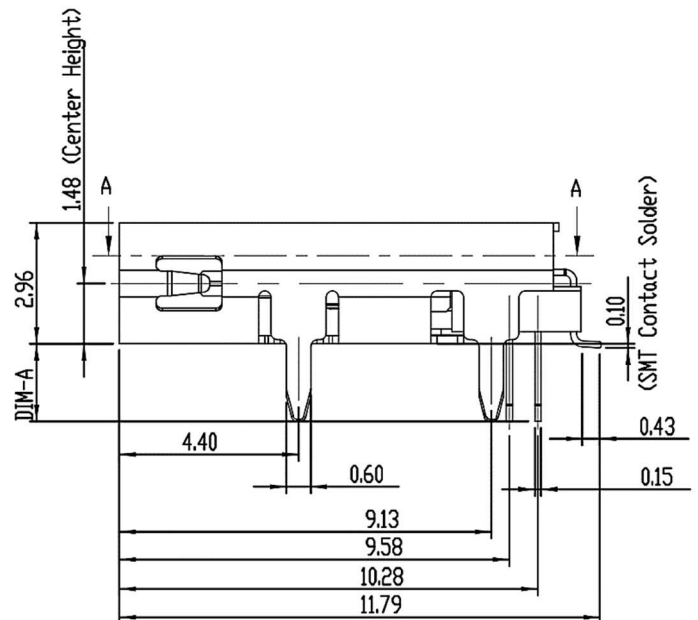
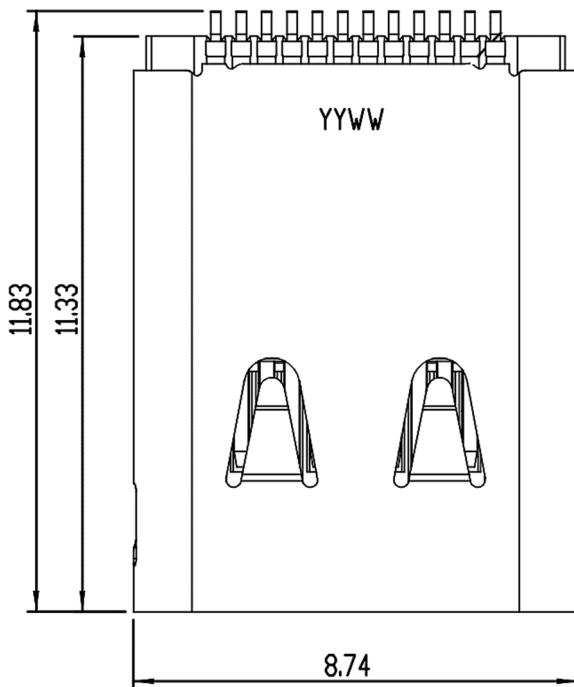
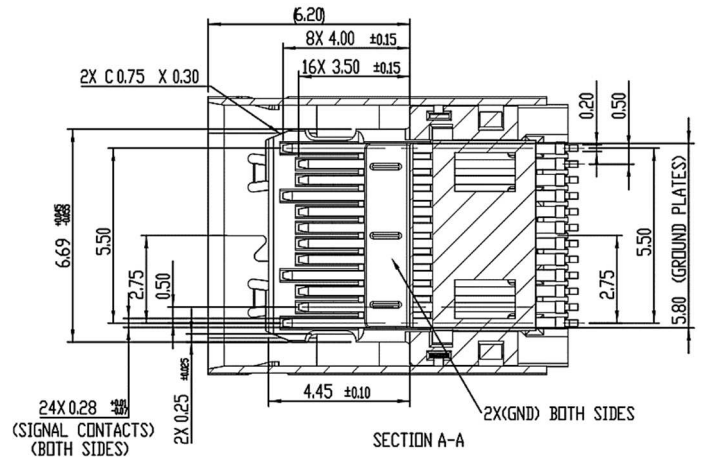
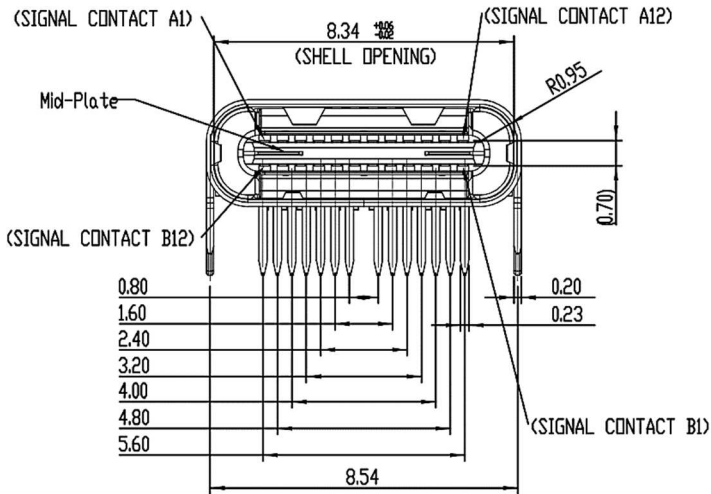
Supplied in Tape & Reel Packaging.

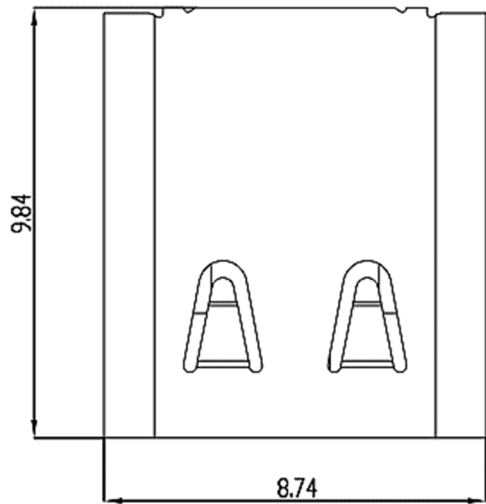
Equivalent to Wurth 632723300021

> TECHNICAL SPECIFICATION

NUMBER OF PORTS:	SINGLE
CONNECTOR TYPE:	USB 3.1 TYPE C RECEPTACLE
MOUNTING TYPE:	PCB TOP MOUNT HYBRID (SMT & THROUGH HOLE)
ORIENTATION:	HORIZONTAL 90° RIGHT ANGLE
SOLDER TAIL LENGTH:	1.9MM STD, OR 1.5MM <i>(See > Options)</i>
RECOMMENDED PCB THICKNESS:	1.6MM FOR 1.9MM SOLDER TAIL STD <i>(See > Options)</i> 1.0MM FOR 1.5MM SOLDER TAIL <i>(See > Options)</i>
INSULATION:	BLACK THERMPLASTIC UL94V-0 (HI TEMP)
CONTACT MATERIAL:	BRASS
CONTACT PLATING:	30U" Pd - 2U" SELECTIVE GOLD
UNDERPLATING:	80U" - 160U" Ni
SOLDER TAIL PLATING:	100 – 200U" LEAD FREE TIN
SHELL MATERIAL:	STEEL
RoHS COMPLIANT:	EU RoHS 2011/65/EU and EU 2015/863
CURRENT RATING:	5A MAX
VOLTAGE RATING:	20V DC
CONTACT RESISTANCE:	30 mΩ MAX
DIELECTRIC WITHSTANDING VOLTAGE:	100V AC 1 MIN
INSULATION RESISTANCE:	100MΩ
OPERATING TEMPERATURE:	-40°C to +105°C
MATING FORCE (MAX):	5-20N
UNMATING FORCE (MIN):	8-20N
DURABILITY:	10000 MATING CYCLES

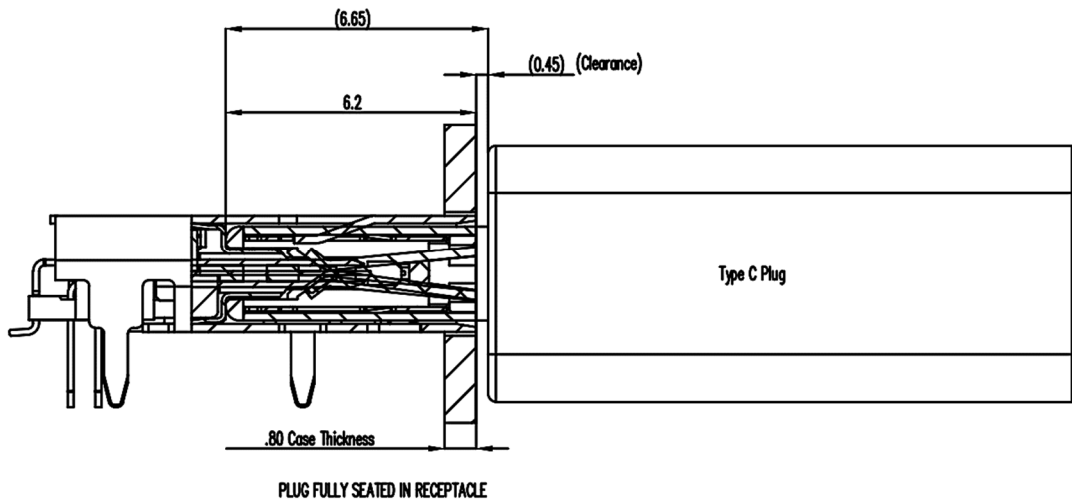
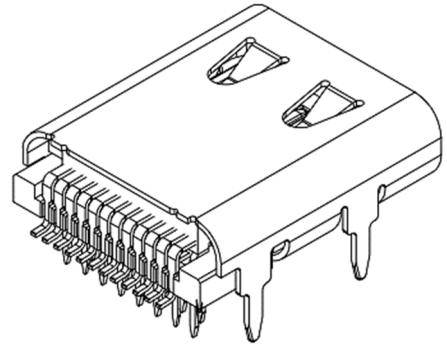
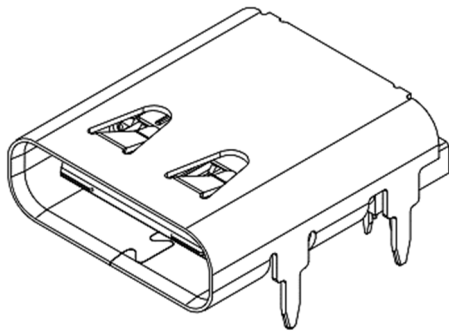
> PHYSICAL

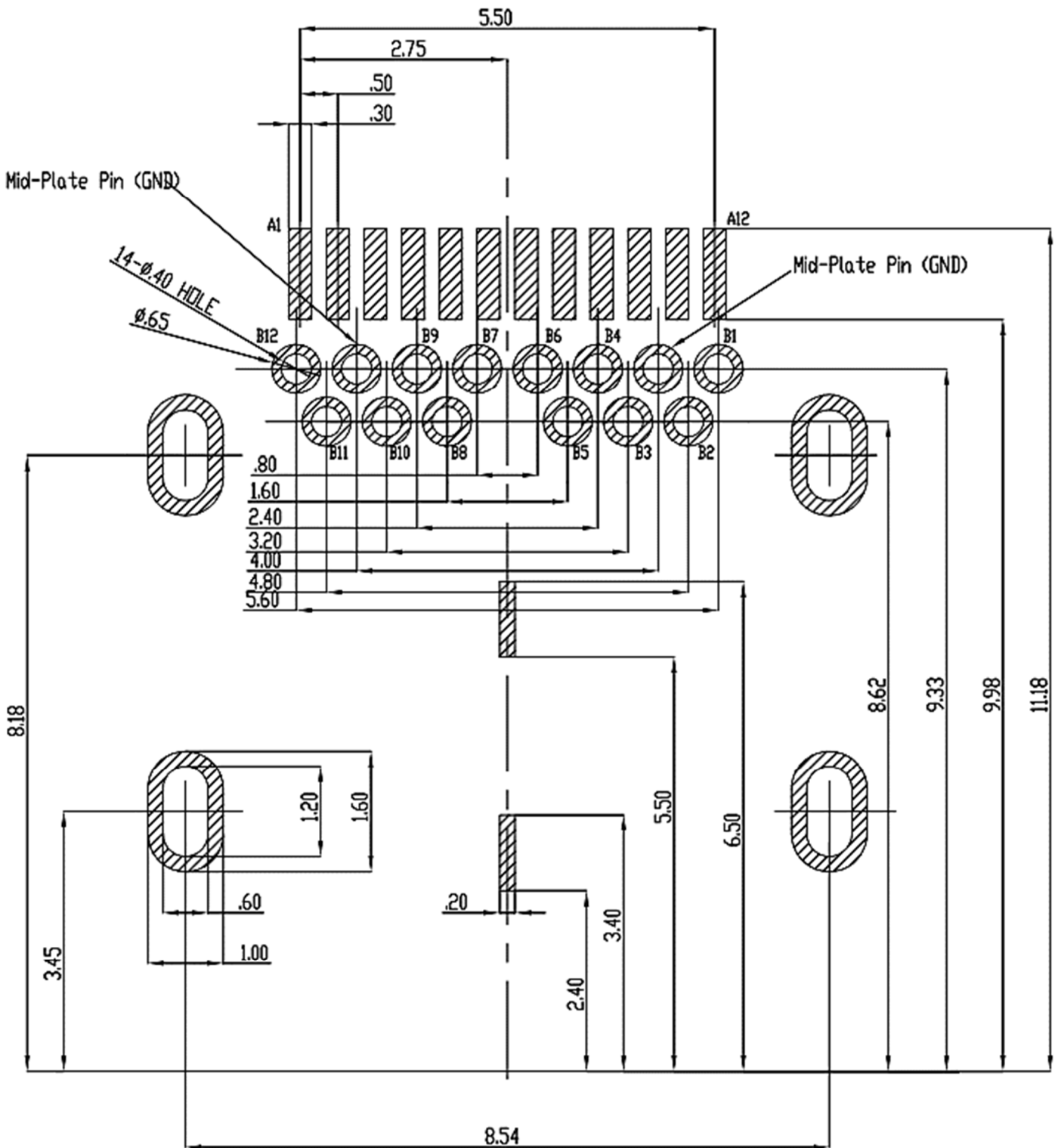




PIN ASSIGNMENT:

PIN	Signal Name	PIN	Signal Name
A1	GND	B12	GND
A2	SSTXp1	B11	SSRXp1
A3	SSTXn1	B10	SSRXn1
A4	Vbus	B9	Vbus
A5	CC1	B8	SBU2
A6	Dp1	B7	DN2
A7	Dn1	B6	DP2
A8	SBU1	B5	CC2
A9	Vbus	B4	Vbus
A10	SSRXn2	B3	SSTXn2
A11	SSRXp2	B2	SSTXp2
A12	GND	B1	GND





Recommended PCB LAYOUT

TOLERANCE +/- 0.05

PCB Thickness = 1.00mm for 1.5mm Solder Tail

1.6mm for 1.9mm Solder Tail



> PART OPTIONS:

CONTACT PLATING:
(2U" SELECTIVE GOLD AS STANDARD - NO SUFFIX)

- 3 3U" GOLD
- 6 6U" GOLD
- 15 15U" GOLD
- 30 30U" GOLD
- 50 50U" GOLD

SOLDER TAIL LENGTH:
(1.9MM NO SUFFIX AS STANDARD OPTION)
SUITABLE FOR BOARD THICKNESS 1.6MM

-T15 = 1.5MM SUITABLE BOARD THICKNESS 1.0MM

PART NUMBER EXAMPLE: 607-0004-15 = USB 3.1 TYPE C 24P FEMALE SOCKET, 90° PCB TOP MOUNT, HYBRID, 15U" GOLD PLATING. PLEASE VERIFY AVAILABILITY ON OPTIONS PRIOR TO SELECTION.

> REVISION HISTORY

Revision	Description	Date
1.0	Initial Drawing Release	23.06.2023
2.0	Solder Tail Length Option Added together with Board Thickness Info	27.03.2024

Revision History provided is for informational purposes only and is believed to be accurate.

