

MPSI CONNEX USB Type C Connectors, 607 Series:

Part Code 607-0015 – Type C USB Recept, 16P, Top Mount 90°, SMT, 5A, UL94V-0



Images are for Illustrative Purposes Only

USB Type C, 16 Pin USB Connector.

Top Mount, Single Row SMT, 90° Horizontal Style PCB Mount Receptacle. 5A Rated. Hi-Temp LCP Insulator.

Gold Flash (1 Micron) Plated Contacts.

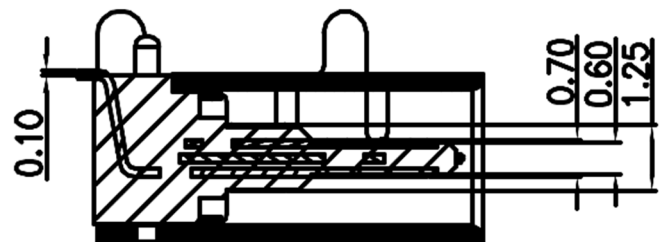
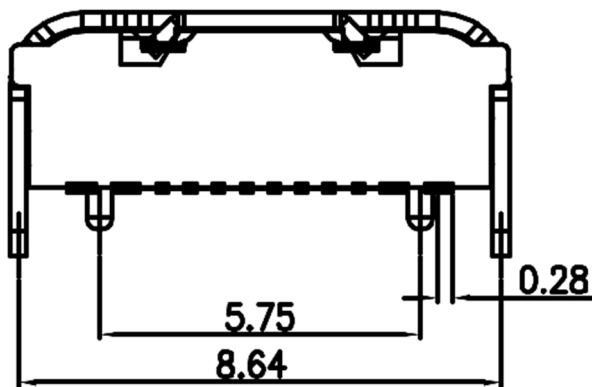
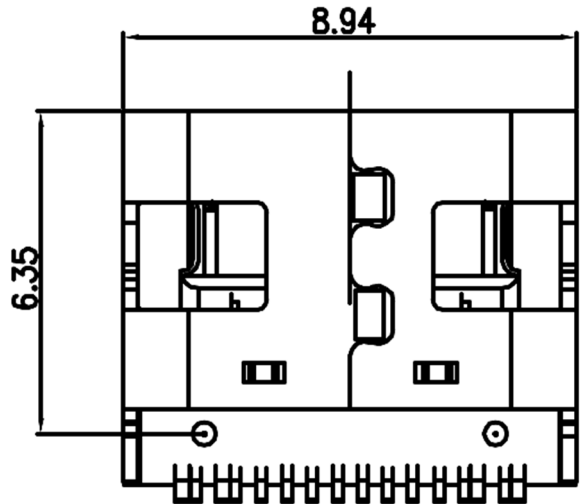
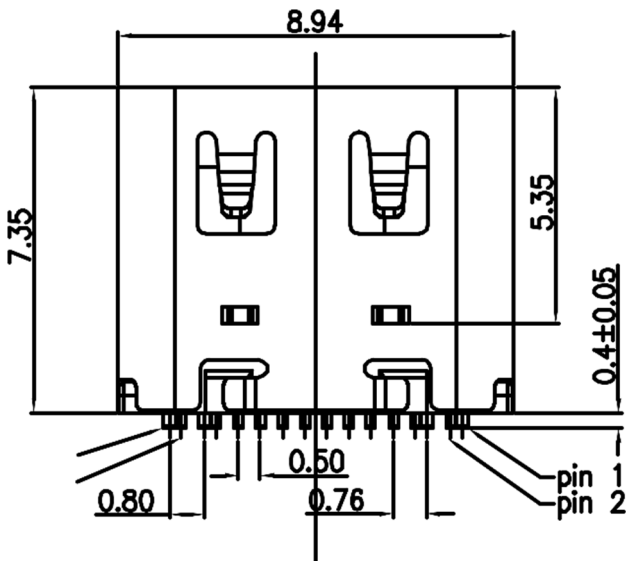
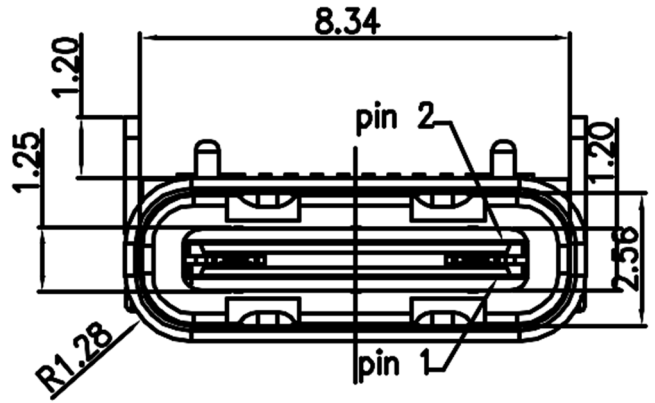
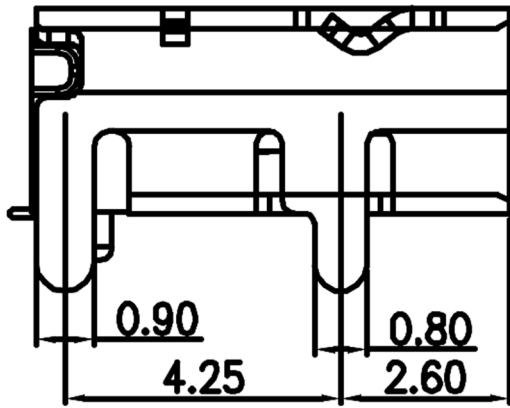
Nickel Plated Stainless Steel Shell.

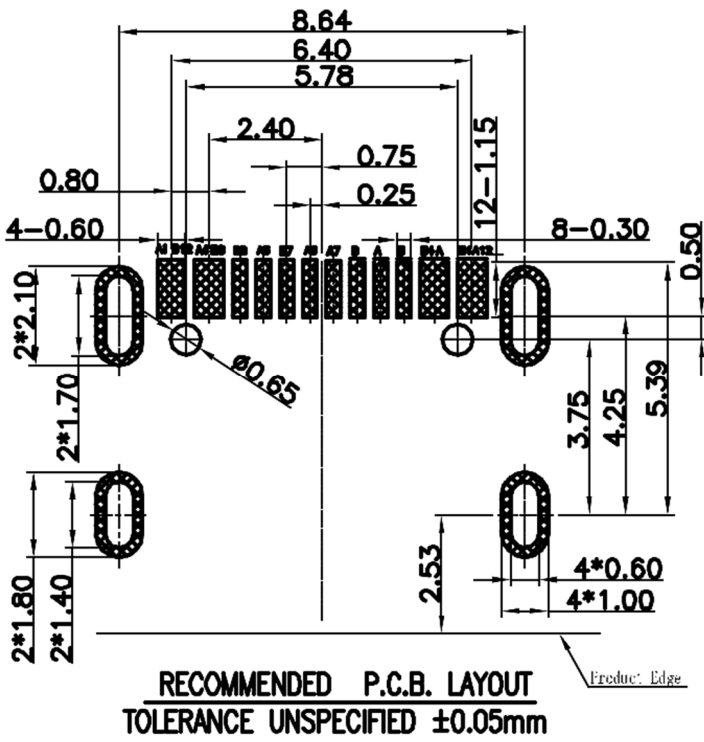
Supplied in Tape & Reel as Standard.

> TECHNICAL SPECIFICATION

NUMBER OF PORTS:	SINGLE
CONNECTOR TYPE:	USB TYPE C RECEPTACLE
MOUNTING TYPE:	PCB SMT, SINGLE ROW
ORIENTATION:	HORIZONTAL 90°
INSULATION (PLASTICS):	WHITE LCP UL94V-0
CONTACT MATERIAL:	COPPER ALLOY
CONTACT PLATING:	STD 1 MICRON (u") GOLD OVER NICKEL
SHELL MATERIAL:	STAINLESS STEEL
SHELL PLATING:	NICKEL 50u" PLATING
SHIELD MATERIAL:	STAINLESS STEEL
SHELL PLATING:	NICKEL 50u" PLATING
RoHS COMPLIANT:	EU RoHS 2011/65/EU and EU 2015/863
CURRENT RATING:	5A MIN FOR VBUS
VOLTAGE RATING:	5V AC MAX
CONTACT RESISTANCE:	40 mΩ MAX
DIELECTRIC WITHSTANDING VOLTAGE:	100V AC FOR 1 MIN
INSULATION RESISTANCE:	100 MΩ MIN
OPERATING TEMPERATURE:	-55°C to +85°C
MATING FORCE (MAX):	5 – 20N
UNMATING FORCE (MIN):	8 – 20N
DURABILITY:	5000 MATING CYCLES
MAX PROCESSING TEMP:	230°C for 30-60 SECONDS (260°C 10 SECONDS)

> PHYSICAL





A1	GND	B12	GND
A4	VBUS	B9	VBUS
A5	CC1	B8	SBU2
A6	DP1	B7	DN2
A7	DN1	B6	DP2
A8	SBU1	B5	CC2
A9	VBUS	B4	VBUS
A12	GND	B1	GND
PIN	SIGNAL NAME	PIN	SIGNAL NAME



> PART OPTIONS:

CONTACT PLATING:

(GOLD FLASH PLATING 1 MICRON (u") AS STANDARD, NO SUFFIX)

PLEASE ENQUIRE FOR OTHER PLATING OPTIONS

> REVISION HISTORY

Revision	Description	Date
1.0	Initial Drawing Release	11.04.2024

Revision History provided is for informational purposes only and is believed to be accurate.

