

MPSI CONNEX 500-0000 RJ11 Series – 6P4C Modular Jack

Order Code 500-0002 Side Entry 90°, Tab Down, PCB TH Mount 1.5A, PBT UL94V-0, 1 x 1 Port.



Images are for Illustrative Purposes Only

500-0002 RJ11/RJ14 6P4C PCB Mount Modular Jacks.

Tab Down. 90° PCB Through-Hole Mount, 18mm.

Rated at 1.5A, with Standard UL94V-0 (PBT) Insulator.

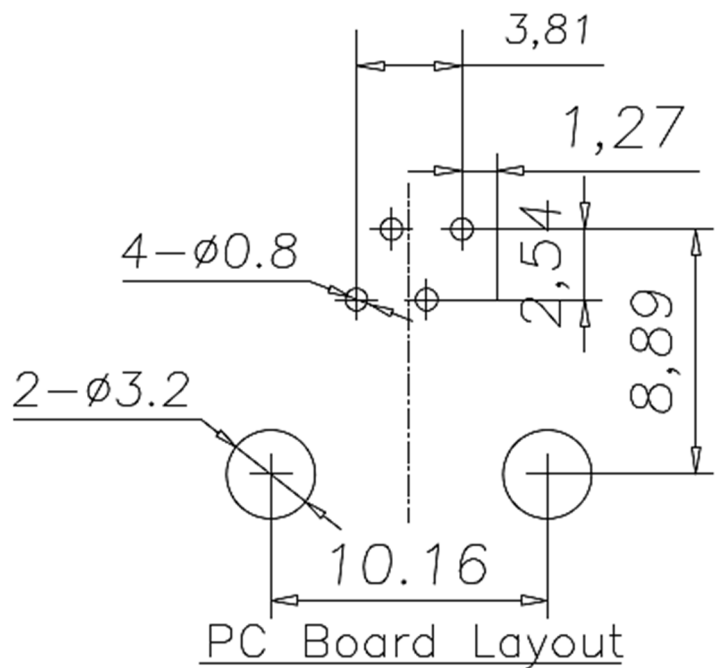
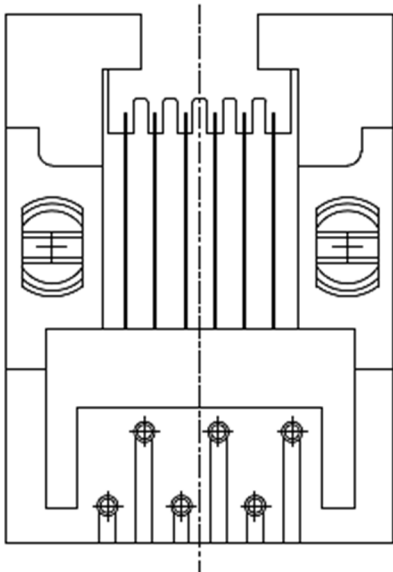
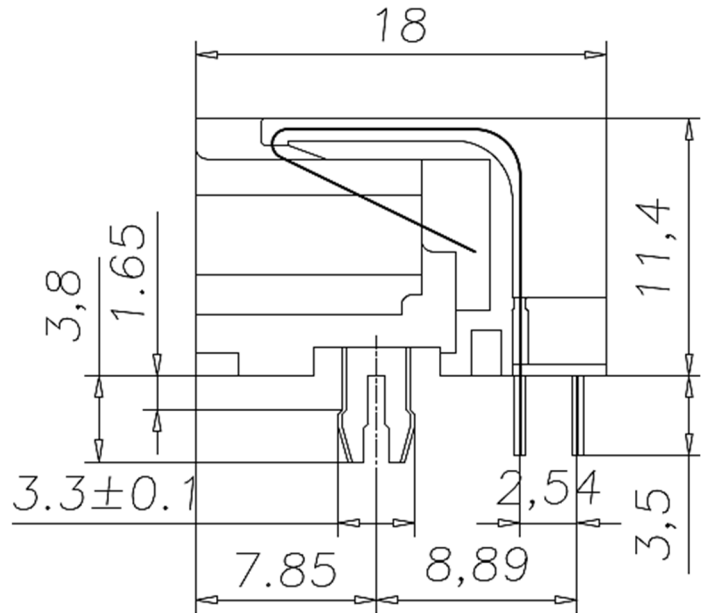
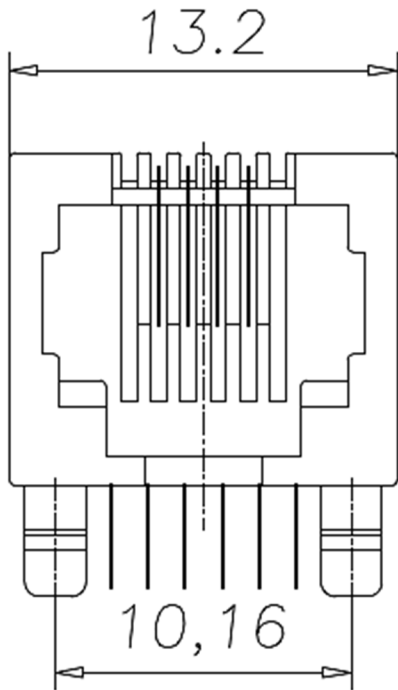
Available Options (*See > Options*):

Contact Plating.

> TECHNICAL SPECIFICATION

PORT CONFIGURATION:	1 x 1 PORT TAB DOWN
POSITION/CONTACT:	6P4C
MOUNTING TYPE:	PCB THROUGH-HOLE
ORIENTATION:	HORIZONTAL 90°
INSULATOR COLOUR:	BLACK
INSULATION (PLASTICS):	PBT UL94V-0 STANDARD
CONTACT MATERIAL:	PHOSPHOR BRONZE T = 0.45mm
CONTACT PLATING:	GOLD FLASH 1U" STANDARD (<i>SEE > OPTIONS</i>)
RoHS COMPLIANT:	EU RoHS 2011/65/EU and EU 2015/863
CURRENT RATING:	1.5A
VOLTAGE RATING:	125 VAC RMS
CONTACT RESISTANCE:	30 mΩ MAX
DIELECTRIC WITHSTANDING VOLTAGE:	1000V AC RMS 50Hz 1 MIN
INSULATION RESISTANCE:	500MΩ MIN @ 500V DC
OPERATING TEMPERATURE:	-40°C to +85°C
MATING/UNMATING FORCE:	2.2KGF MAX
RETENTION STRENGTH:	7.7KGF MIN BETWEEN JACK & PLUG
DURABILITY:	700 MATING CYCLES MINIMUM

> PHYSICAL





> PART OPTIONS:

CONTACT PLATING:
(GOLD FLASH STD NO SUFFIX)

- G3 3U" GOLD
- G6 6U" GOLD
- G15 15U" GOLD
- G30 30U" GOLD
- G50 50U" GOLD

PART NUMBER EXAMPLE: 500-0002 = UNSHIELDED, GOLD FLASH CONTACT PLATING
PLEASE VERIFY AVAILABILITY ON OPTIONS PRIOR TO SELECTION / ORDERING

> REVISION HISTORY

Revision	Description	Date
1.0	Initial Drawing Release	05.06.2024

Revision History provided is for informational purposes only and is believed to be accurate.

