

MPSI RJ45 Modular Jacks, 500-2000 Series:

Order Code 500-2004 – 1x4 Port, RJ45, 8P8C, Tab-Up, LED's, PCB TH, 90°, UL94V-0



Images are for Illustrative Purposes Only

RJ45 8P8C Modular Jack with LED's – Yellow / Green.

1x4 Port, Tab Up, Side Entry 90°.

PCB Through-Hole Mount. EMI Fingers & 2 PCB Ground Tabs.

Rated at 1.5A, with Standard UL94V-0 (PBT) Insulator.

UL, RoHS & REACH Compliance.

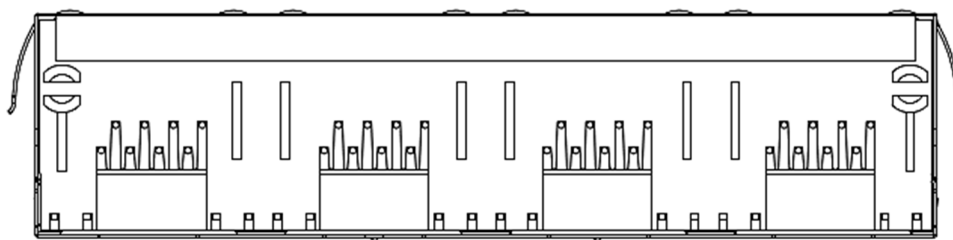
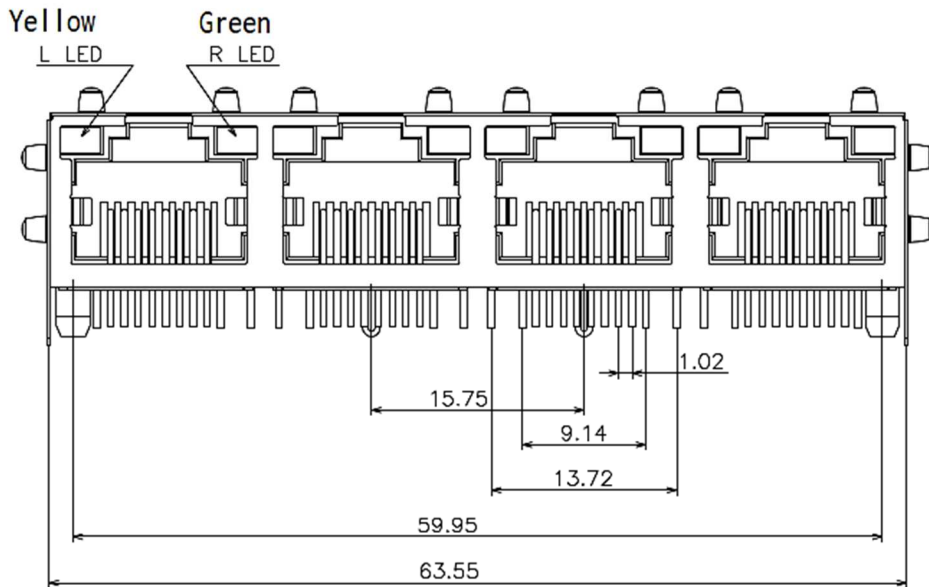
Available Options, see > **PART OPTIONS:**

Contact Plating

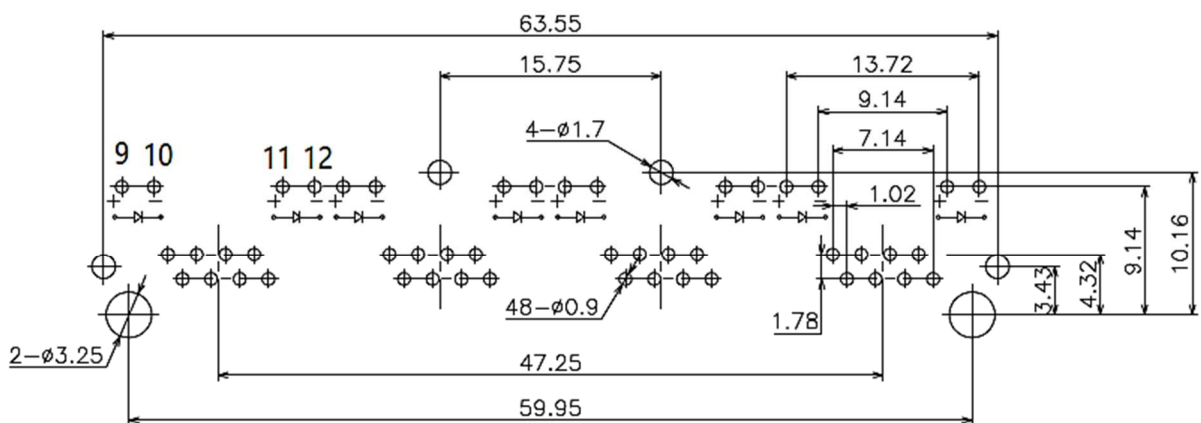
> TECHNICAL SPECIFICATION

PORT CONFIGURATION:	1X4 PORT TAB UP
PRODUCT TYPE:	RJ45 MODULAR JACK
POSITION/CONTACT:	8P8C
LED'S:	L = YELLOW, R = GREEN
MOUNTING TYPE:	PCB THROUGH-HOLE
ORIENTATION:	90°
EMI FINGERS:	YES
INSULATOR (PLASTICS):	BLACK PBT UL94V-0
CONTACT MATERIAL:	PHOSPHOR BRONZE T = 0.35mm
SHIELD MATERIAL:	BRASS T = 0.25mm
CONTACT PLATING:	GOLD FLASH STD (CONTACT AREA) <i>SEE OPTIONS</i>
SHIELD PLATING:	NICKEL
RoHS COMPLIANT:	EU RoHS 2011/65/EU and EU 2015/863
CURRENT RATING:	1.5A
VOLTAGE RATING:	125 VAC RMS
CONTACT RESISTANCE:	30 mΩ MAX
DIELECTRIC WITHSTANDING VOLTAGE:	1000V AC RMS 50Hz or 60Hz 1 MIN
INSULATION RESISTANCE:	500MΩ MIN @ 500V DC
OPERATING TEMPERATURE:	-40°C to +85°C
MATING/UNMATING FORCE:	2.2kgF MAX
RETENTION FORCE:	7.7kgF BETWEEN JACK & PLUG
DURABILITY:	750 MATING CYCLES MINIMUM

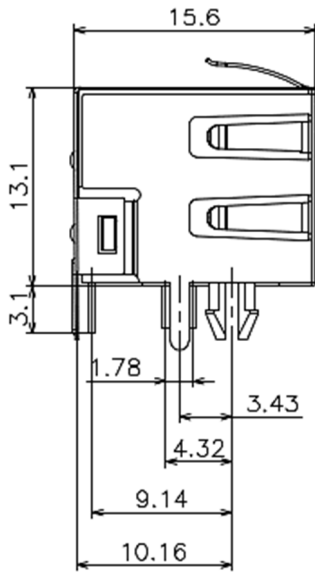
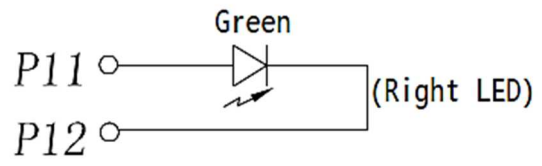
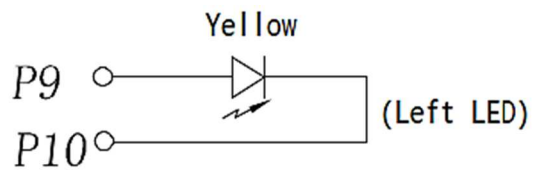
> PHYSICAL



BOTTOM VIEW



PCB LAYOUT (BOTTOM VIEW)
RECOMMENDED





> PART OPTIONS:

CONTACT PLATING:
(GOLD FLASH STD NO SUFFIX)

- G3 3U" GOLD
- G6 6U" GOLD
- G15 15U" GOLD
- G30 30U" GOLD
- G50 50U" GOLD

PART NO: EXAMPLE: 500-2004-G15 = 1x4 PORT RJ45 JACK, TAB UP, EMI FINGERS, 15U" GOLD PLATING.
PLEASE VERIFY AVAILABILITY ON OPTIONS PRIOR TO SELECTION.

> REVISION HISTORY

Revision	Description	Date
1.0	Initial Drawing Release	05.06.2024

Revision History provided is for informational purposes only and is believed to be accurate.

